

Specifications

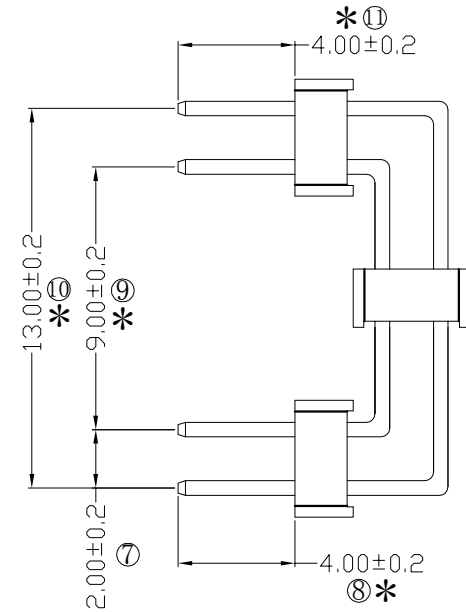
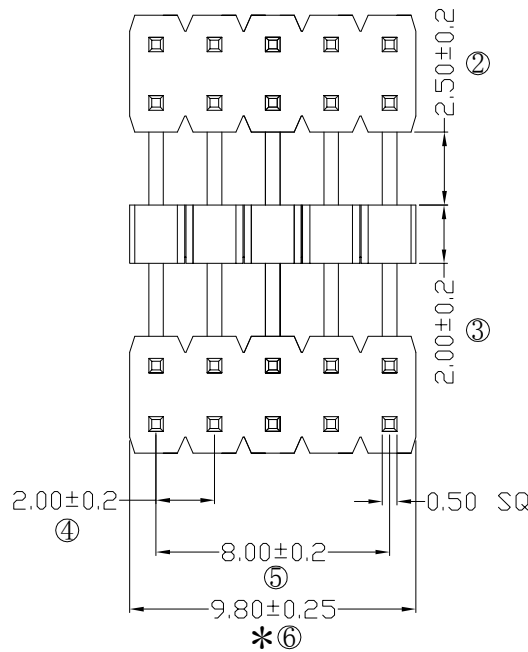
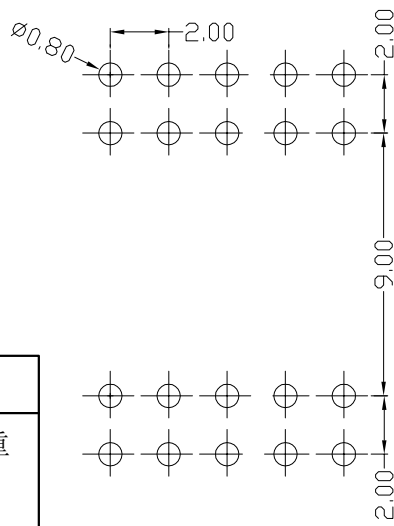
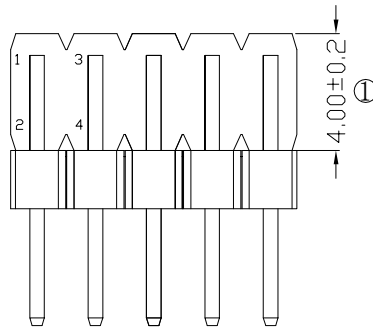
备注 (Remark)
 1. 材料 (MATERIAL)
 胶芯: PA6T+30%G.F UL94V-0, 颜色: 黑色.
 Housing: PA6T+30%G.F UL94V-0, Color: Black
 四方针: 黄铜, 镍底30u"MIN, 表面镀普金
 Contact: Brass, GOLD PLATING OVER ALL
 30u" MIN NICKEL UNDERPLATING OVER ALL

2. 特性 (characteristics):
 额定电流: 2 AMP
 Rating Current: 2 AMP.
 接触阻抗: 20 mΩ MAX.
 Contact Resistance: 20 mΩ MAX.
 绝缘阻抗: 1000 MΩ MIN.
 Insulating Resistance: 1000 MΩ MIN.
 耐电压: AC 500V/分钟.
 Withstanding Voltage: AC 500V/Minute.
 温度范围: -40° C to +105° C
 Temperature Range: -40° C to +105° C

Ordering Information

P220-32 05 A0 B U 225 A 1

HEIGHT OF HOUSING	NO. OF PINS PER ROW	Contact Plating	INSULATOR MATERIAL	LENGTH OF TERMINAL	PACKING
20: 2.0mm	2-40P	Full of Gold Semi-gold	B: PA6T C: PA9T D: LCP		A: PE Bag B: Tape & Reel C: Tube D: Tube+CAP E: Tray
		A0=0.8u" A1=1u" A2=1.5u" A3=2u" A4=3u" A5=5u" A6=10u" A7=15u" A8=20u" A9=30u"		B0=0.8u" B1=1u" B2=1.5u" B3=2u" B4=3u" B5=5u" B6=10u" B7=15u" B8=20u" B9=30u"	
		S1=Quaternary Tin Plated S2=Matte Tin Plated			



RoHS COMPLIANT

客编:
注意事项
 1. 带*为品质重点检验尺寸

			OPERATION	SCALE	Fit	Yxcon 东莞市宇熙精密连接器有限公司			
			X.X ±0.25	UNIT	MM	www.yxcon.com Dongguan Yuxi Electronic Co., Ltd.			
			X.XX ±0.20	SIZE	A4	DESIGN	刘伟 2020.12.17	PART NO	P220-3205A0BU225A1
A0	2020.12.17	/	X.XXX ±0.10	SHEET	1/1	CHECK		TITLE	2.0排针 2*5P*3 L=22.5/4.0(3.25)/4.0(3.25)/30.5 桥型 短针 脚距9.0 DIP:4.0 PA6T料 镀普金 100PCS/袋+盒装
REV	DATE	SYMBOL	Angle ±3°	PROJ.	⊕	APPROVE		Customer No.	
			DIM TOL						

X-ON Electronics

Largest Supplier of Electrical and Electronic Components

Click to view similar products for [Headers & Wire Housings](#) category:

Click to view products by [Yxcon](#) manufacturer:

Other Similar products are found below :

[892-18-020-10-001101](#) [0010894062](#) [0010977306](#) [0015477636](#) [0015917161](#) [0022104068](#) [0022121042](#) [0022155065](#) [0022281023](#) [57102-F02-18ULF](#) [PCN6B-10P-2.5DS](#) [58102-G61-06LF](#) [582553-1](#) [0015911208](#) [01.001.5753.1](#) [0022285048](#) [0050291907](#) [02.125.8002.8](#)
[CSU011177004](#) [622-0430](#) [63453-116](#) [636-1030](#) [636-1427](#) [636-3427](#) [636-4007](#) [641938-9](#) [65495-038](#) [65692-001LF](#) [65781-018](#) [65781-047](#)
[65817-010LF](#) [67095-007LF](#) [67601157](#) [68631-112](#) [68645-018](#) [699319-000](#) [70.362.1628.0](#) [70-4210](#) [70-4226B](#) [70-4853B](#) [707-5028](#)
[71.350.2428.0](#) [733-134](#) [733-162](#) [760-3052](#) [80.063.4001.1](#) [800-90-001-10-001000](#) [801-43-002-10-013000](#) [801-43-006-10-002000](#)
[803-43-024-10-001000](#)