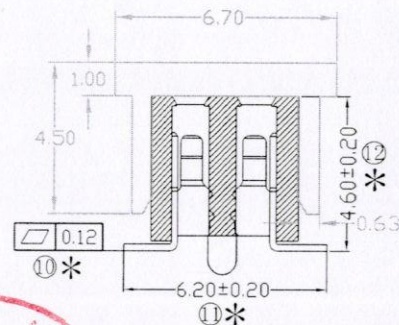
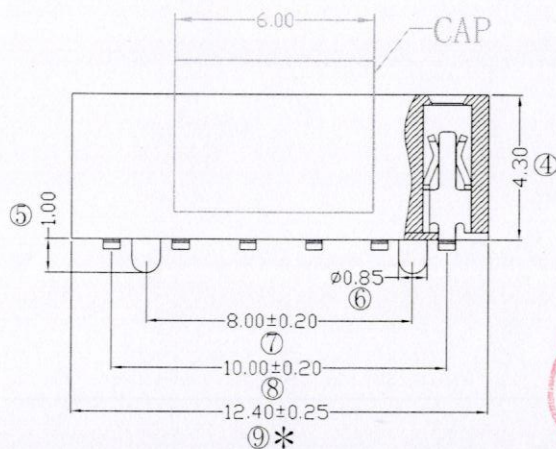
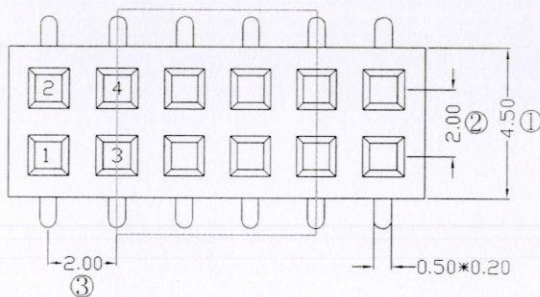
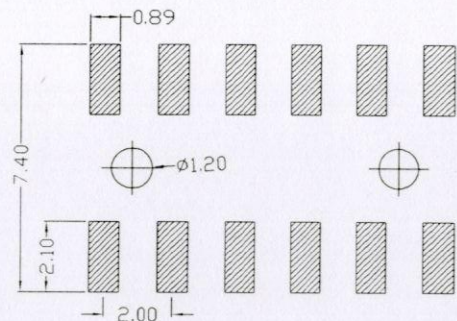


# Specifications

备注 (Remark)  
 1. 材料 (MATERIAL)  
 胶芯: PA9T+30%G.F UL94V-0, 颜色: 黑色.  
 Housing: PA9T+30%G.F UL94V-0, Color: Black  
 端子: 磷铜, 镍底30u"MIN, 表面镀普金  
 Contact: Phosphorous, GOLD PLATING OVER ALL  
 30u" MIN NICKEL UNDERPLATING OVER ALL

2. 特性 (characteristics):  
 额定电流: 2 AMP  
 Rating Current: 2 AMP.  
 接触阻抗: 20 mΩ MAX.  
 Contact Resistance: 20 mΩ MAX.  
 绝缘阻抗: 1000 MΩ MIN.  
 Insulating Resistance: 1000 MΩ MIN.  
 耐电压: AC 500V/分钟.  
 Withstanding Voltage: AC 500V/Minute.  
 温度范围: -40° C to +105° C  
 Temperature Range: -40° C to +105° C



# Ordering Information

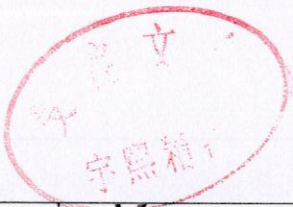
F243-12 06 A0 C MU B 1

NO. OF PINS PER ROW 2-40P	Contact Plating		INSULATOR MATERIAL: A: PE Bag B: PA6T C: PA9T D: LCP	PACKING A: PE Bag B: Tape & Reel C: Tube D: Tube+CAP E: Tray
	Full Of Gold	Semi-gold		
A0=0.8u"	B0=0.8U"			
A1=1u"	B1=1U"			
A2=1.5u"	B2=1.5U"			
A3=2u"	B3=2U"			
A4=3u"	B4=3U"			
A5=5u"	B5=5U"			
A6=10u"	B6=10U"			
A7=15u"	B7=15U"			
A8=20u"	B8=20U"			
A9=30u"	B9=30U"			
S1=Ordinary Tin Plated				
S2=Matte Tin Plated				
S3=Tin-plated High-temperature				

RoHS COMPLIANT

客编: V1169

1. 带\*为品质重点检验尺寸



			OPERATION		SCALE		Fit		Yxcon 东莞市宇熙精密连接器有限公司	
			X.X	±0.25	UNIT		MM		www.yxcon.com Dongguan Yuxi Electronic Co., Ltd.	
			X.XX	±0.20	SIZE	A4	DESIGN	李官森2021.09.07	PART NO.	F243-1206A0CMUB1
A0	2021.09.07	/	X.XXX	±0.10	SHEET	1/1	CHECK	刘军.9.7	TITLE:	2.0排母4.3mm型高 2*6P SMT 6.2 带定位柱 磷铜 U型 塑壳=4.5 PA9T料 镀普金 CAP+800/套
REV	DATE	SYMBOL	MODIFICATION DESCRIPTION		Angle	±3'	CHECK	刘军.9.7	TITLE:	
					DIM	TOL	APPROVE	刘军.9.7	Customer No.	

## X-ON Electronics

Largest Supplier of Electrical and Electronic Components

*Click to view similar products for [Headers & Wire Housings](#) category:*

*Click to view products by [Yxcon](#) manufacturer:*

Other Similar products are found below :

[892-18-020-10-001101](#) [0010894062](#) [0010977306](#) [0015477636](#) [0015917161](#) [0022104068](#) [0022121042](#) [0022155065](#) [0022281023](#) [57102-F02-18ULF](#) [PCN6B-10P-2.5DS](#) [58102-G61-06LF](#) [582553-1](#) [0015911208](#) [01.001.5753.1](#) [0022285048](#) [0050291907](#) [02.125.8002.8](#)  
[CSU011177004](#) [622-0430](#) [63453-116](#) [636-1030](#) [636-1427](#) [636-3427](#) [636-4007](#) [641938-9](#) [65495-038](#) [65692-001LF](#) [65781-018](#) [65781-047](#)  
[65817-010LF](#) [67095-007LF](#) [67601157](#) [68631-112](#) [68645-018](#) [699319-000](#) [70.362.1628.0](#) [70-4210](#) [70-4226B](#) [70-4853B](#) [707-5028](#)  
[71.350.2428.0](#) [733-134](#) [733-162](#) [760-3052](#) [80.063.4001.1](#) [800-90-001-10-001000](#) [801-43-002-10-013000](#) [801-43-006-10-002000](#)  
[803-43-024-10-001000](#)