

# Specifications

备注 (Remark)

1. 材料 (MATERIAL)

胶芯: PA9T+30%G.F UL94V-0, 颜色: 黑色.

Housing: PA9T+30%G.F UL94V-0, Color: Black

端子: 青铜, 镍底30u"MIN, 表面镀普金

Contact: Bronze, GOLD PLATING OVER ALL  
30u" MIN NICKEL UNDERPLATING OVER ALL

2. 特性 (characteristics):

额定电压: 250V AC/DC

Rated Voltage: 250V AC/DC

额定电流: 3 AMP

Rating Current: 3 AMP.

接触阻抗: 20 mΩ MAX.

Contact Resistance: 20 mΩ MAX.

绝缘阻抗: 1000 MΩ MIN.

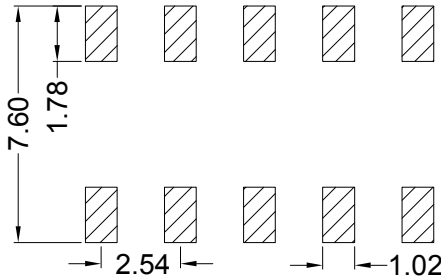
Insulating Resistance: 1000 MΩ MIN.

耐电压: AC 500V/分钟.

Withstanding Voltage: AC 500V/Minute.

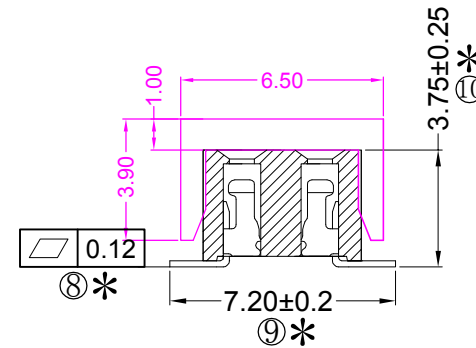
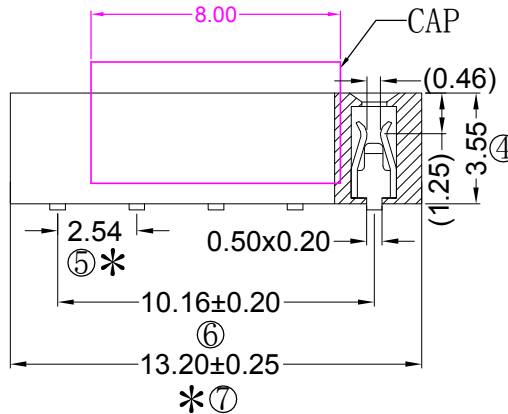
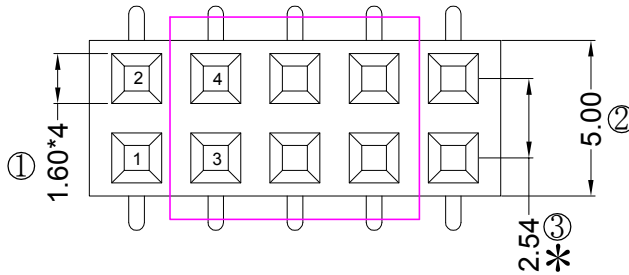
温度范围: -40° C to +105° C

Temperature Range: -40° C to +105° C



Recommended P. C. B LAYOUT

General Tolerance ±0.05



# Ordering Information

F136-12 05 A0 C MU B 7

NO. OF PINS  
PER ROW  
2-40P

Contact  
Full Gold

Plating  
Semi-gold

INSULATOR  
MATERIAL:

PACKING  
A: PE Bag  
B: Tape & Reel  
C: Tube  
D: Tube+CAP  
E: Tray

A0=0.8u"  
A1=1u"  
A2=1.5u"  
A3=2u"  
A4=3u"  
A5=5u"  
A6=10u"  
A7=15u"  
A8=20u"  
A9=30u"

B0=0.8U  
B1=1U  
B2=1.5U  
B3=2U  
B4=3U  
B5=5U  
B6=10U  
B7=15U  
B8=20U  
B9=30U

C: PA9T  
D: LCP

S1=Ordinary Tin Plated  
S2=Matte Tin Plated  
S3=Tin-plated High-temperature

RoHS  
COMPLIANT

客编:

注意事项

- 带\*为品质重点检验尺寸
- 保持力0.5kgf Min

			OPERATION	SCALE	Fit	东莞市宇熙精密连接器有限公司 www.yxcon.com Dongguan Yuxi Electronic Co., Ltd.			
			X.X ±0.25	UNIT	MM				
			X.XX ±0.20	SIZE	A4	DESIGN	李官森2022.11.24	PART NO.	F136-1205A0CMUB7
			X.XXX ±0.10	SHEET	1/1	CHECK		TITLE:	FH2.54*3.6 2*5P SMT:7.2 总长13.2 杯口1.6*1.6 U型 PA9T料 镀普金 CAP+800/卷
REV	DATE	SYMBOL	MODIFICATION DESCRIPTION	ANGLE	±3°	PROJECT	APPROVE	Customer No.	
			新版发行	TOL					

## X-ON Electronics

Largest Supplier of Electrical and Electronic Components

*Click to view similar products for [Headers & Wire Housings](#) category:*

*Click to view products by [Yxcon](#) manufacturer:*

Other Similar products are found below :

[892-18-020-10-001101](#) [0010894062](#) [0010977306](#) [0015477636](#) [0015917161](#) [0022104068](#) [0022121042](#) [0022155065](#) [0022281023](#) [57102-F02-18ULF](#) [PCN6B-10P-2.5DS](#) [58102-G61-06LF](#) [582553-1](#) [0015911208](#) [01.001.5753.1](#) [0022285048](#) [0050291907](#) [02.125.8002.8](#)  
[CSU011177004](#) [622-0430](#) [63453-116](#) [636-1030](#) [636-1427](#) [636-3427](#) [636-4007](#) [641938-9](#) [65495-038](#) [65692-001LF](#) [65781-018](#) [65781-047](#)  
[65817-010LF](#) [67095-007LF](#) [67601157](#) [68631-112](#) [68645-018](#) [699319-000](#) [70.362.1628.0](#) [70-4210](#) [70-4226B](#) [70-4853B](#) [707-5028](#)  
[71.350.2428.0](#) [733-134](#) [733-162](#) [760-3052](#) [80.063.4001.1](#) [800-90-001-10-001000](#) [801-43-002-10-013000](#) [801-43-006-10-002000](#)  
[803-43-024-10-001000](#)