

High voltage silicon diodes for micro-wave oven

Reverse Voltage – 12kV

Forward Current –450mA

FEATURES

◆High reliability

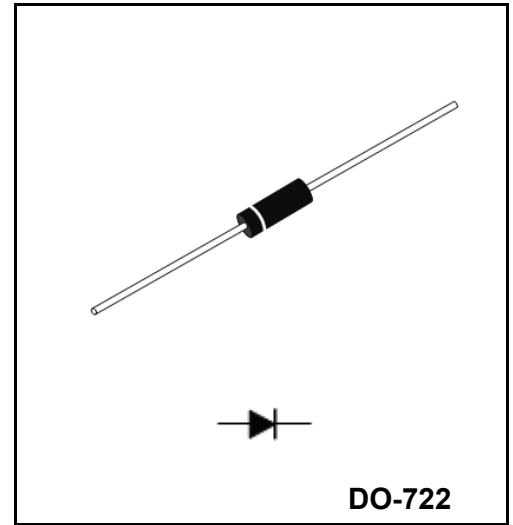
MECHANICAL DATA

◆Case: Molded Plastic Body

◆Epoxy meets UL 94V-0 flammability rating

◆Terminals: Pure tin plated leads, solderable per J-STD-002 and JESD22-B102, E3 suffix for consumer grade, meet JESD201class 1A whisker test.

◆Polarity: Color band denotes cathode end

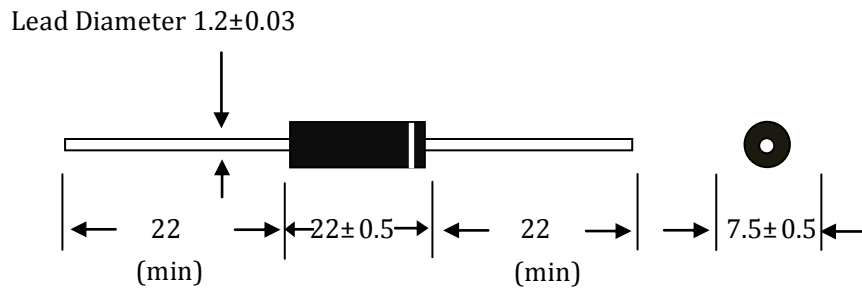


Maximum rating (Ta=25°C unless otherwise noted)

Parameter		Symbol	2CL4512H	Unit
Repetitive peak reverse voltage		V_{RRM}	12	KV
Average forward current	60Hz half-sine wave, Resistance load, Ta≤60°C	$I_{F(AV)}$	450	mA
Surge(Non-repetitive)forward current	60Hz half-sine wave, 1cycle, Ta=25°C	I_{FSM}	60	A
Reverse surge current	Wp=1ms, Rectangular-wave, One-shot, Ta=25°C	I_{RSM}	100	mA
Peak forward voltage	$I_{FM}=450mA$	V_{FM}	≤12	V
Peak reverse current $V_{RM}=V_{RRM}$		I_{RRM1}	≤5	μA
Avalanche breakdown voltage	$I_R=100\mu A$	$V_{(BR)}$	≥16.5	KV
Storage Temperature Range		T_{stg}	-40 ~ +130	°C
Virtual junction temperature		$T_{(vj)}$	130	°C

Notes :Cooling Requirement: Cathode terminal is fastened to radiating fin that size is more than 50mm×50mm×0.6mm
Wind-cooled velocity is more than 0.5m/s.

Package outline dimensions



Summary of Packing Options

Package	Packing Description	Packing Quantity	Industry Standard
DO-722	BOX	500	EIA-481-1

X-ON Electronics

Largest Supplier of Electrical and Electronic Components

Click to view similar products for [Diodes - General Purpose, Power, Switching category:](#)

Click to view products by [YFW Electronics manufacturer:](#)

Other Similar products are found below :

[RD0306T-TL-H](#) [RD0506T-TL-H](#) [DCD010-TB-E](#) [DSE010-TR-E](#) [NTE6244](#) [FC903-TR-E](#) [1N4449](#) [1N456A](#) [1N914BTR](#) [RFUH20TB3S](#)
[BAW75-TAP](#) [JAN1N3600](#) [BAV70HDW-7](#) [BAS28 TR](#) [1SS388-TP](#) [SI-A1125](#) [UF3G](#) [SHV-06JNS-Q](#) [2CL75A](#) [MCL4148PF](#) [1SS226,LF\(T](#)
[1SS352\(TPH3,F\)](#) [1SS306\(TE85L.F\)](#) [KDS122-RTK/P](#) [KDS135-RTK/PU](#) [DB107](#) [S-LBAS16HT1G](#) [P1200M](#) [KDS160E-RTL/P](#) [DB106S](#)
[DB207](#) [DB157](#) [DB155](#) [DB206](#) [2CL74](#) [DB105](#) [DB156S](#) [DB206S](#) [DB156](#) [BAV199](#) [1SS181,LF\(T](#) [CRG09A,LXGQ](#) [CRG09A,LQ\(M](#) [DB106](#)
[SDUR1530](#) [S2KTR](#) [S2MTR](#) [GL1M](#) [CD4148WSP](#) [CD4148WTP](#)