

NOTES: UNLESS OTHERWISE SPECIFIED

1. MATERIAL SPECIFICATIONS:

HOUSING: BRASS  
 INSULATOR: ULTEM  
 CONTACT: COPPER ALLOY  
 STRAIN RELIEF: TPU  
 ORING: BUNA-N

2. FINISH SPECIFICATIONS:

HOUSING: NICKEL  
 CONTACT: GOLD OVER NICKEL

3. ELECTRICAL SPECIFICATIONS:

VOLTAGE: 12 VDC  
 CURRENT: 10 AMP PEAK  
 SIGNAL: 1000BASE-T1 COMPLIANT

4. MECHANICAL SPECIFICATIONS:

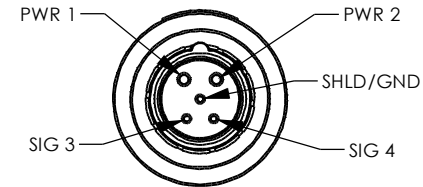
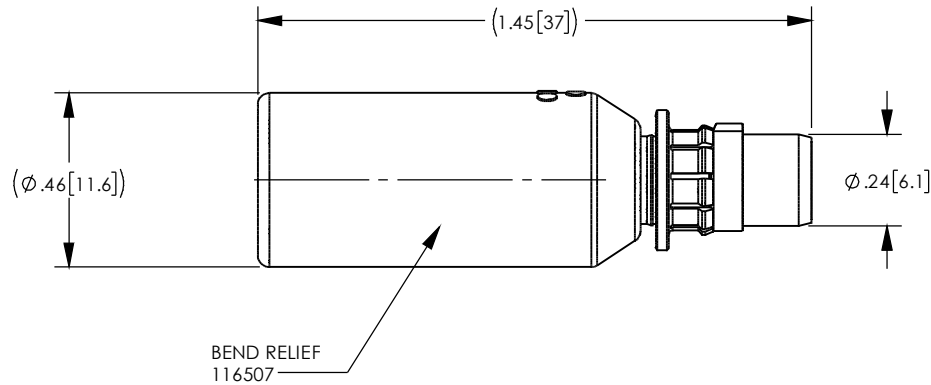
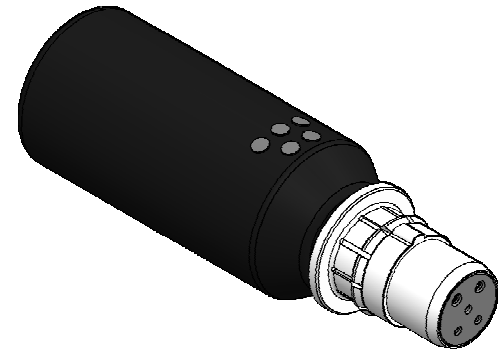
MATING CYCLES: 500  
 LATCHING: 6 LBS. MAX WITHDRAWAL

5. ENVIRONMENTAL:

IP RATING: IP69 (MATED)  
 TEMPERATURE: -40C - +125C  
 RoHS / REACH/SVHC

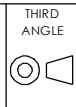
6. CM CABLE P/N TBD:

2X 18 AWG  
 2X 26 AWG (TWISTED PAIR)  
 1X 26 AWG DRAIN)



REV	DESCRIPTION	BY	DATE	APPD
00	PRELIMINARY DRAWING	JB	01/21/21	
01	REMOVE ISOLATION PIN	JB	03/08/21	
02	CHG PIN POSITION UPDATED SIZE	JB	07/15/21	
03	UPDATED NOTES	JB	08/30/21	
04	UPDATED BEND RELIEF TO .375"	JB	09/30/21	

PER ASME Y14.5M-1994  
 UNLESS OTHERWISE SPECIFIED:  
 DIMENSIONS ARE IN INCHES  
 TOLERANCES:  
 DECIMAL: .XX ± .01  
 .XXX ± N/A  
 .XXXX ± N/A  
 ANGLES: ± 1°



SCALE: 2:1

MATERIAL				SEE NOTES			
FINISH				SEE NOTES			
DRAWN	DATE	APPROVED	DATE	DRAWN	DATE	APPROVED	DATE
JB	01/08/21	XXX	XX/XX/XX	JB	01/08/21	XXX	XX/XX/XX

**Winchester** Cable Assembly Group  
 Interconnect.

PEANUT, STR PLUG, 2 PWR, 3 SIG			
<b>A</b>	SD116502	SHT OF	REV
		1 1	04

THIS DRAWING IS THE DESIGN AND I DEDICATE IT AS AN UNRECORDED  
 METHOD OF PRODUCING THE DEVICE. THE DRAWING IS NOT TO BE  
 REPRODUCED OR TRANSMITTED IN ANY FORM OR BY ANY MEANS  
 AND SHALL NOT BE REPRODUCED, COPIED, OR REPRODUCED  
 IN ANY MANNER WITHOUT THE WRITTEN CONSENT OF WINCHESTER  
 INTERCONNECT.

## X-ON Electronics

Largest Supplier of Electrical and Electronic Components

*Click to view similar products for [Standard Circular Connector](#) category:*

*Click to view products by [Winchester](#) manufacturer:*

Other Similar products are found below :

[600273N007](#) [6134-336-13149](#) [6134-337-11149](#) [6134-337-2390](#) [6134-341-17149](#) [67-02E12-60PX](#) [680-SMG](#) [CXS3102A181S](#) [75-190218-10P](#) [75-474014-05S](#) [75-474211-03P](#) [75-474618-04P](#) [75-474618-04S](#) [75-474620-07P](#) [799539-000](#) [805-005-07NF11-19PC](#) [805-005-07NF15-7PA](#) [836783-1](#) [866857-1](#) [867865-1](#) [121583-0217](#) [RD10A16-19-P6CS051/1](#) [RD16A14-12-S6CS051/2](#) [1301240268](#) [1301240275](#) [14482](#) [16283-18](#) [1877910-1](#) [206039-3](#) [206323-1](#) [207682-1](#) [CA01COM-E24-28P-B-03](#) [CA06COME14SA7P](#) [JL04-1012CK\(05\)-R](#) [JL04V-2A28-11PE-R](#) [JL04V-2E10SL-3PE-B-R](#) [JL04V-2E20-15PE-B-R](#) [JL04V-2E20-4PE-B-R](#) [JL04V-2E24-10PE\(G\)-B-R](#) [JL04V-6A24-11SE-EB-R](#) [JN1AS04MK1X](#) [JN1HS10PLKS2](#) [JN2AS04MK2X-R](#) [JN2DS10SL3-R](#) [JN2FW15SL1](#) [JR16PK-10S](#) [2-206934-7](#) [24282](#) [25.320.3853.1](#) [3011-05](#)