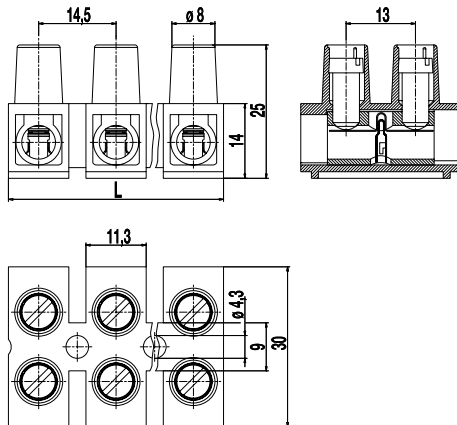
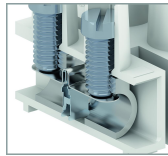


327-HDS/..-WSM

Socket terminal strip
Screw connection, with wire stop



Part Numbers

No. of poles	327-HDS/..-WSM	Length	PU
1	51.825.002.EN6	14,50	1000
2	52.825.002.EN6	29,00	500
3	53.825.002.EN6	43,50	250
4	54.825.002.EN6	58,00	250
5	55.825.002.EN6	72,50	200
6	56.825.002.EN6	87,00	180
7	57.825.002.EN6	101,50	160
8	58.825.002.EN6	116,00	160
9	59.825.002.EN6	130,50	130
10	60.825.002.EN6	145,00	100
11	61.825.002.EN6	159,50	100
12	62.825.002.EN6	171,00	90

General Information

Pitch	14,5 mm
No. of poles	1 - 12



Technical Data

Clamping Range	<i>solid / flexible / AWG</i>		
<i>without wire protector</i>	4 - 16 mm ² / 4 - 16 mm ² / 12 - 4 AWG		
<i>with wire protector</i>	4 - 16 mm ² / 4 - 10 mm ² / 12 - 6 AWG		
Rated Cross Section	16 mm ² [1]		
Wire Stripping Length	8 mm ± 1 mm		
Overvoltage Category	III	III	II
Pollution Severity Level	3	2	2
Rated Voltage	500 V	630 V	1000 V
Rated Impulse Voltage	6 kV	6 kV	6 kV
Rated Insulation Voltage	750 V acc. to EN 60998-1		
Rated Current	76 A		
Torque	2 Nm		

Material

Moulding	PA, white, V-0
Comparative Tracking Index	CTI ≥ 600
Insulating Group	I
Temperature Range	-40°C up to 100°C
Terminal Body	Nickel plated brass
Screw	M5; zinc plated steel, blue passivated
Wire protector	Stainless steel strip

Approvals

	Current [A]	Voltage [V]	Group	AWG	[Nm]
	65	300	B,C	14 - 6	1,8
	Current [A]	Voltage [V]	[mm ²]		
	76	750	16		

Options / Accessories

- Consecutive numbering
- Special marking accord. drawing
- Self-adhesive marking strip
- Version with raised base: please see 327-FU

[1] multi-wire

X-ON Electronics

Largest Supplier of Electrical and Electronic Components

Click to view similar products for [Fixed Terminal Blocks](#) category:

Click to view products by [Weco](#) manufacturer:

Other Similar products are found below :

[MBE-1512](#) [MBE-156](#) [739-102](#) [739-103](#) [MH-2512](#) [MHE-163](#) [MI-272](#) [930-T-DS/02](#) [940-T-DS/02](#) [964-T-DS/02](#) [964-T-DS/03](#) [974-T-DS/02](#)
[MPT-275](#) [ELM10110G](#) [BA311TU](#) [BA411SU](#) [MV-254-D](#) [MV-255](#) [MVE-253](#) [MVEB-153](#) [1705142](#) [1-796689-8](#) [1841320000](#) [256-404](#) [930-](#)
[T/02](#) [S451](#) [940-T-DS/03](#) [960-T-DS/03](#) [29.116](#) [30.204](#) [30.252](#) [30.503](#) [30.756](#) [30.853](#) [1710052](#) [20020316-G071B01LF](#) [20020327-](#)
[C061B01LF](#) [29590](#) [30.652](#) [30.754](#) [37.206](#) [37.208](#) [37.507](#) [37.558](#) [37.659](#) [38331-5812](#) [38331-8018](#) [38540-1910](#) [MBE-1517](#) [431202041801](#)