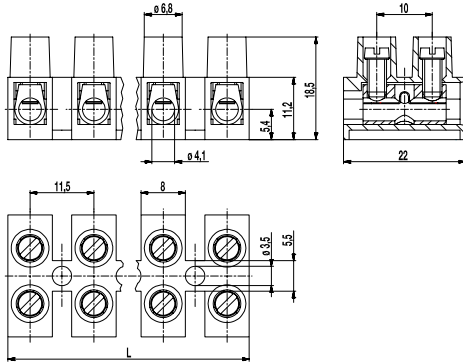


324(-HDS)

Socket terminal strip
Screw connection



The socket terminal strip 324 is available in 11,5 mm pitch with 1- to 12-pole design and can be easily stripped to the desired number of poles.

One fixing hole is located between every two poles.

The flexible polyamide moulding can even be mounted on curved surfaces.

The wire protector of the "HDS"-version reliably prevents damage to multi-wire flexible conductors by the turning screw.

Part Numbers

No. of poles	324	324-HDS	Length	PU
1	11.823.003	31.823.012	9,00	3000
2	12.823.003	32.823.012	21,00	1000
3	13.823.003	33.823.012	32,00	800
4	14.823.003	34.823.012	44,00	500
5	15.823.003	35.823.012	55,00	250
6	16.823.003	36.823.012	67,00	100
7	17.823.003	37.823.012	78,00	75
8	18.823.003	38.823.012	90,00	75
9	19.823.003	39.823.012	101,00	50
10	20.823.003	40.823.012	113,00	50
11	21.823.003	41.823.012	124,00	50
12	22.823.003	42.823.012	135,00	50

further number of poles on request

Part Numbers: "no flame" acc. to glow-wire test

No. of poles	324	324-HDS	Length	PU
4		34.823.022.EN6	44,00	500
12		42.823.022.EN6	135,00	50

further number of poles on request

General Information

Pitch	11,5 mm
No. of poles	1 - 12
Areas of application	For lighting applications and similar electrical equipment.




Technical Data

Clamping Range	<i>solid / flexible / AWG</i>		
<i>without wire protector</i>	1 - 10 mm ² / 1 - 6 mm ² / 16 - 10 AWG		
<i>with wire protector</i>	0,75 - 6 mm ² / 0,75 - 4 mm ² / 18 - 12 AWG		
Rated Cross Section	4 mm ²		
Wire Stripping Length	7 mm ± 0,5 mm		
Overvoltage Category	III	III	II
Pollution Severity Level	3	2	2
Rated Voltage	400 V	630 V	1000 V
Rated Impulse Voltage	6 kV	6 kV	6 kV
Rated Insulation Voltage	450 V acc. to EN 60998-1		
Rated Current	32 A		
Torque	0,8 Nm		

Material

Moulding	PA, natural, V-2 (PA, white, V-0) Details in brackets apply for "no flame" products
Comparative Tracking Index	CTI ≥ 600
Insulating Group	I
Temperature Range	-40°C up to 100°C
Terminal Body	Nickel plated brass
Screw	M3,5; zinc plated steel, blue passivated
Wire protector	Stainless steel strip

Approvals

	Current [A]	Voltage [V]	Group	AWG	[Nm]
	35	300	B	22 - 8	0,8
	10	300	D	22 - 8	0,8
	40	300	B	22-10 [1]	0,8
	10	300	D,E	22-10 [1]	0,8
<hr/>					
	Current [A]	Voltage [V]	[mm ²]		
	32	450	4,0		

[1] 26 - 10 AWG for 324-HDS

Options / Accessories

- Marking options on and between the screw guides
- Marking strips BST-324
- Jumper 324-J
- Screws made out of brass
- Crosshead screws
- Sockets with blind hole
- Up to 24 poles possible

X-ON Electronics

Largest Supplier of Electrical and Electronic Components

Click to view similar products for [Barrier Terminal Blocks](#) category:

Click to view products by [Weco](#) manufacturer:

Other Similar products are found below :

[CR151D20104](#) [670A-RZ-15-KT20](#) [6C1N03](#) [6PCR-02](#) [6PCR-02-008](#) [6PCR-05-008](#) [6PCR-08-008](#) [6PCR-09-008](#) [6PCR-13-006](#) [6PCR-15-006](#) [6PCV-06-008](#) [6PCV-06-716](#) [6PCV-09-001](#) [6PCV-15-008](#) [6PCV-17-1206](#) [6PCV-20-323](#) [6STR-12-008](#) [6STR-13-006](#) [6STR-14-008](#) [6STR-16-008](#) [6STR-17-008](#) [6STR-21-008](#) [6STR-25-008](#) [6STR-27-008](#) [6STV-03-008](#) [6STV-09-006](#) [6STV-10-006](#) [6WWV-11-008](#) [6WWV-16-008](#) [72504-C-50](#) [72506-C](#) [72507-C-50](#) [72508-56](#) [73203](#) [75505-C-50](#) [812-GP-3/4ST-09](#) [812-GPZ-03PSB](#) [8-1437402-5](#) [8-1437402-7](#) [8PCR-06-006](#) [8PCR-11-006](#) [8PCV-04-001](#) [8PCV-05-008](#) [8PCV-09-006](#) [8PCV-15-006](#) [8PCV-16-006](#) [8PCV-17-006](#) [901604](#) [9-1437402-3](#)
[GBPACX-5](#)