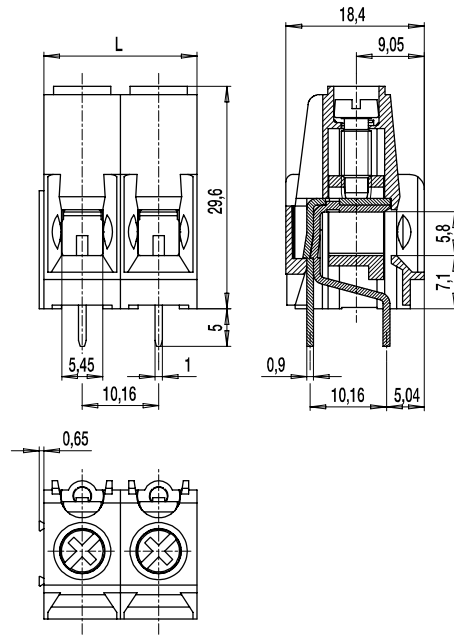
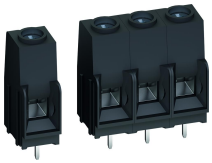


# 158-A-111

PCB connector  
Screw connection



## GENERAL INFORMATION

Pitch	10,16 mm
No. of poles	2 - 12
Usable with	158-A-211, 159-A-111 and 159-A-211, mountable side-by-side to any series connector
Areas of application	Power electronics, in particular for drives with frequency converters, and also for power supplies and charging units.
Additional Information	Hole for $\varnothing$ 2 mm test plug

## TECHNICAL DATA

Clamping Range	solid / stranded / AWG		
	0,5 - 16 mm <sup>2</sup> / 0,5 - 10 mm <sup>2</sup> / 20 - 6 AWG		
Rated Cross Section	10 mm <sup>2</sup>		
Wire Stripping Length	10,5 mm $\pm$ 1 mm		
Overvoltage Category	III	III	II
Pollution Severity Level	3	2	2
Rated Voltage	690 V	1000 V	1000 V
Rated Impulse Voltage	8 kV	8 kV	6 kV
Rated Current	57 A		
Hole in PCB	$\varnothing$ 1,5 mm		
Torque	1,2 Nm		
Other specifications	Maximum current/cross-section 76 A / 16 mm <sup>2</sup> , stranded wire		

## APPROVALS

	Current [A]	Voltage [V]	Group	AWG	[Nm]
	60	300	B, C	20 - 6	1,3
	10	300	D	20 - 6	1,3
	Current [A]	Voltage [V]	mm <sup>2</sup>		
	57	690 - 1000 [1]	2,5 - 10		

## CONFIGURATIONS

Poles	Part number	Article number	Length (L)	Packaging	PU
2	158-A-111/02	12.801.901	20,32 mm	Box	50
3	158-A-111/03	13.801.901	30,48 mm	Box	50
4	158-A-111/04	14.801.901	40,64 mm	Box	50
5	158-A-111/05	15.801.901	50,80 mm	Box	50

further number of poles on request

## MATERIAL

Moulding	PA, grey, V-0
Comparative Tracking Index	CTI $\geq$ 600
Insulating Group	I
Temperature Range	-40°C up to 100°C
Terminal body	Nickel plated brass
Pressure clamp	Tin plated copper
Screw	Plus-minus, M4; zinc plated steel, blue passivated
Solder pin	Tin plated copper

## OPTIONS / ACCESSORIES

- Consecutive numbering
- Special marking according to drawing
- Self-adhesive marking strip BST-10,16

[1] Marks approval acc. to DIN EN 60947-7-4



## X-ON Electronics

Largest Supplier of Electrical and Electronic Components

*Click to view similar products for [Fixed Terminal Blocks](#) category:*

*Click to view products by [Weco](#) manufacturer:*

Other Similar products are found below :

[MBE-1512](#) [MBE-1520](#) [MBE-154](#) [MBE-156](#) [MBES-156](#) [MH-2512](#) [MHE-132](#) [MHE-163](#) [MI-254 \(35\)](#) [MPT-275](#) [ELM10110G](#) [BA311TU](#)  
[BA411SU](#) [MV-254-D](#) [MV-255](#) [MV-493](#) [MVE-252](#) [MVE-253](#) [MVEB-153](#) [1705142](#) [1-796689-8](#) [1841320000](#) [S451](#) [29.007](#) [29.116](#) [30.204](#)  
[30.503](#) [30.756](#) [30.853](#) [9872-0-00-15-00-00-33-0](#) [996750](#) [1710052](#) [20020316-G071B01LF](#) [20020327-C061B01LF](#) [29590](#) [30.652](#) [30.710](#)  
[30.754](#) [30.757](#) [32.058](#) [37.206](#) [37.208](#) [37.507](#) [37.558](#) [38331-5812](#) [38331-8018](#) [38540-1910](#) [39.002](#) [MBE-1517](#) [MBE-153](#)