

REV	LOCATIONS	DESCRIPTION	DATE	REVISER	APPD
1		Dimension change	18/MAR/20	KATE	CHERRY

SPECIFICATIONS

Electrical

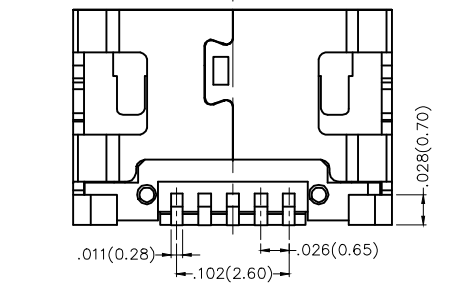
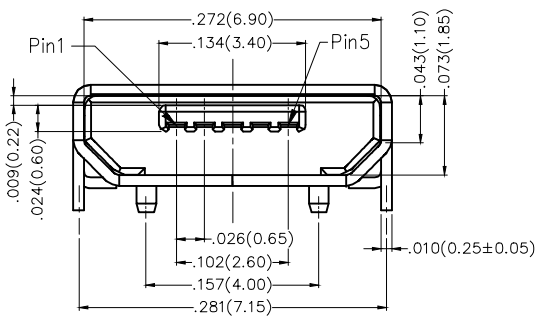
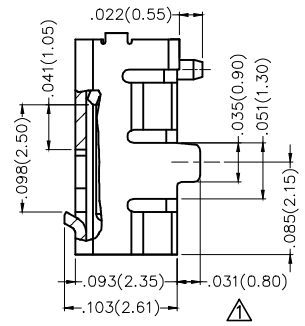
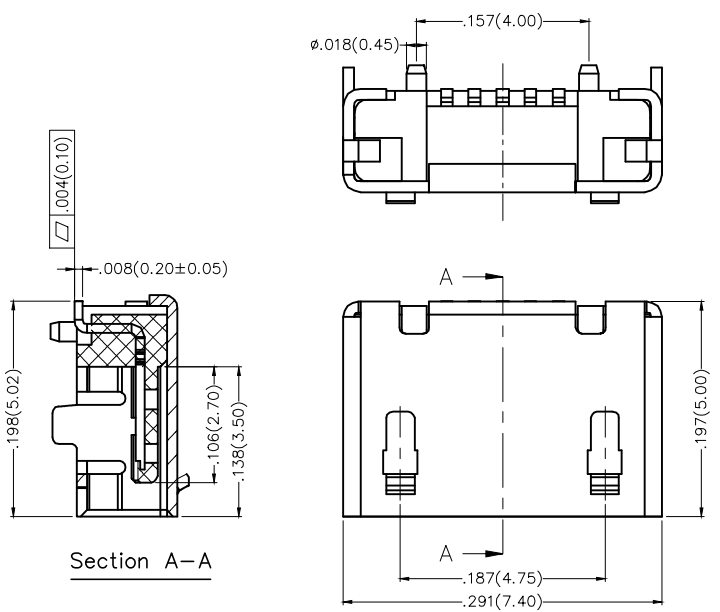
Current Rating: 1A Max AC(rms)/DC
Voltage Rating: 30V AC(rms)/DC
Contact Resistance: 50 mΩ Max
Withstanding Voltage: 100V AC r.m.s
Insulation Resistance: 100 MΩ Min
Temperature Range-Operating: -30°C~+80°C

Mechanical

Insertion Force: 3.57kgf Max
Withdrawal Force: 1.0kgf Min

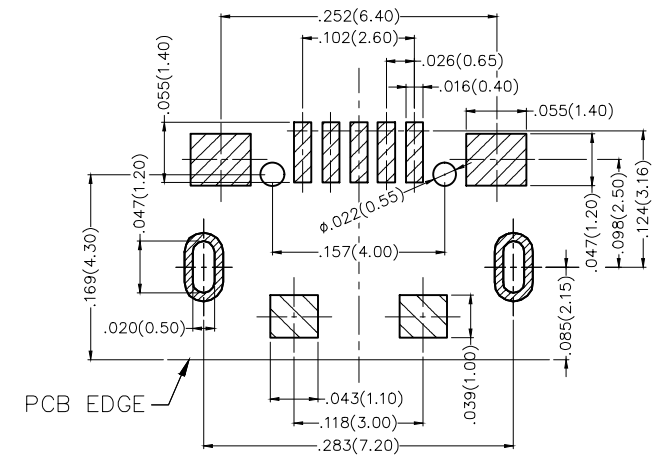
Material And Plating

Housing: Thermoplastic (UL94V-0), Black
Contact: Copper Alloy /Gold Plated
Shell: Copper Alloy /Tin Plated



Pinassignment:

Pins	1	2	3	4	5
Signal name	VBUS	D-	D+	ID	GND



Recommended P.C.Board Layout
General Tolerances: ±0.05mm

	GENERAL TOLERANCES (UNLESS SPECIFIED)		APPROVE BY	DATE	PART NO.	ITEM NO.	
	X.±.012(0.30)	X.±5°	FRANK	13/FEB/18	FUS466-FSBK6M	FUS466	
DESIGN UNITS	X.X±.008(0.20)	X.±2°	CHECKED BY	DATE	TITLE		REV 1
Inch (metric)	X.XX±.006(0.15)	.XX±1°	CHERRY	13/FEB/18	Micro USB 5Circuits 90°Angle Female(SMT)		
SCALE	X.XXX±.004(0.10)	.XXX±0.5°	DRAWN BY	DATE	THIS DRAWING CONTAINS INFORMATION THAT IS PROPRIETARY TO TXGA INDUSTRIAL ELECTRONICS(S.Z)CO.,LTD AND SHOULD NOT BE USED WITHOUT WRITTEN PERMISSION		
5:1			KATE	13/FEB/18			

X-ON Electronics

Largest Supplier of Electrical and Electronic Components

Click to view similar products for [USB Connectors](#) category:

Click to view products by [TXGA](#) manufacturer:

Other Similar products are found below :

[950](#) [MUSBD11135](#) [17-200721](#) [217450-1](#) [KMBVX-TH-5S-B30](#) [KUSBX-AS2N-W](#) [KUSBX-SMT2AP1S-W30](#) [935](#) [957](#) [30-498-6](#) [SK-60A-2](#)
[1734082-1](#) [30-470](#) [30-489](#) [30-541](#) [A-USB A-2P-C](#) [MIKROE-1451](#) [USBFTVSCCG](#) [1-1734084-2](#) [10135326-001LF](#) [4198](#) [USB-A-D-VT](#)
[USB-A-S-RA-TSMT](#) [1310-1023-02](#) [690-024-633-031](#) [UB-20PMFP-LC7001](#) [17-200011](#) [UB-20AFMM-LL7A01](#) [1040870124](#) [CAP-](#)
[WCCMLPB1](#) [CAP-WCCMLPC1](#) [2274475-3](#) [UB-20BMFA-SL8001](#) [914-614A2025S10200](#) [USB3FTV7SAGF059](#) [ZX40-B-5S-1500-](#)
[STDA\(30\)](#) [GSB3116344HR](#) [USB3FTV2SAZNF459](#) [USB3FTV7SAZNF459](#) [U221-041N-1WVS62-F5D](#) [HYCW153-USBD05-500B](#)
[HYCW219-USBD05-075B](#) [HYCW148-USBD05-117B](#) [HYCW149-USBD05-740B](#) [HYCW204-USBD05-108B](#) [HYCW214-USBA04-113B](#)
[HYCW213-USBA04-113B](#) [UB-20AMFM-SL7A01](#) [KMMX-BSMT35S-1-B30TR](#) [2345986-1](#)