

Strain-relief set 43x30mm

Strain-relief

**Product description**

- _ Optional strain-relief set for independent applications
- _ Transforms the LED driver into a fully class II compatible LED driver (e.g. ceiling installation)
- _ Easy and tool-free mounting to the LED driver, screwless cable-clamp channels for long strain-relief (30 x 43 x 30 mm)
- _ With screws for short strain-relief (15 x 34 x 30 mm)
- _ Overall length = length L (LED driver) + 2 x 30 mm (long strain-relief set), 2 x 15 mm (short strain-relief) or long and short strain-relief any combination
- _ Standard SC (L = 30 mm) available as non-pre-assembled and pre-assembled
- _ Short SC (L = 15 mm) only pre-assembled available

ACU SC 30x43x30mm CLIP-ON SR SET (28001168, non-pre-assembled)



ACU SC 30x43x30mm CLIP-ON SR SET 300 (28001351, non-pre-assembled, 300 pcs. packaging)

ACU SC 30x43x30mm CLIP-ON SR PA (28001699, pre-assembled)

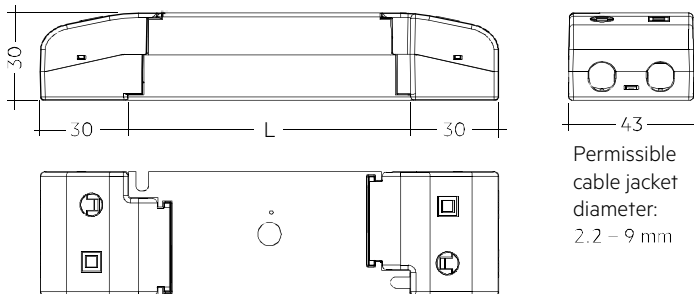
Website

<http://www.tridonic.com/28001168>



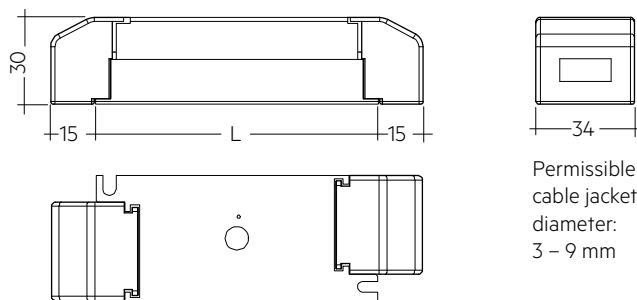
Strain-relief set 43x30mm

Strain-relief



Permissible
cable jacket
diameter:
2.2 – 9 mm

ACU SC 30x43x30mm CLIP-ON SR SET / PA



Permissible
cable jacket
diameter:
3 – 9 mm

ACU SC 15x43x30mm CLIP-ON SR PA

Ordering data

Type	Article number	Packaging, carton ^①	Packaging, outer box	Weight per pc.
ACU SC 43x30mm CLIP-ON SR SET	28001168	10 pc(s).	500 pc(s).	0.038 kg
ACU SC 43x30mm CLIP-ON SR SET 300	28001351	300 pc(s).	300 pc(s).	0.038 kg
ACU SC 30x43x30mm CLIP-ON SR PA	28001699	10 pc(s).	500 pc(s).	0.021 kg
ACU SC 15x43x30mm CLIP-ON SR PA	28001574	10 pc(s).	1,200 pc(s).	0.010 kg

Approval marks

① 28001168: A carton of 10 pcs. is equal to 10 sets, each with 2 strain-reliefs parts. 28001351: A carton of 300 pcs. is equal to 300 sets, each with 2 strain-reliefs parts. 28001699 + 28001574: A carton contains exactly 10 pcs. strain-reliefs (no sets).

X-ON Electronics

Largest Supplier of Electrical and Electronic Components

Click to view similar products for [LED Power Supplies](#) category:

Click to view products by [Tridonic](#) manufacturer:

Other Similar products are found below :

[ALD-514012PJ134](#) [OECCDD02-350](#) [OECCDD02-700](#) [OECCDD02-300](#) [OECCDD02-450](#) [OECCDD02-600](#) [ESS015W-1000-12](#) [ESS030W-1050-21](#) [ESS010W-0180-42](#) [ESS010W-0350-24](#) [SLM140W-1.05-130-ZA](#) [ESS015W-0700-18](#) [OT FIT 30/220-240/700 CS](#) [DAL50W-0850-56-T](#) [CNB50W-1200-42-CAS](#) [87500757](#) [LCU 48V 75W DC-STR FO](#) [LC 45 W 500-1400 MA FLEXC SC EXC](#) [I-SELECT 2 PLUG 2000MA BL](#) [LC 50/200-350/170 FLEXCC LP SNC3](#) [LCO 14/100-500/38 O4A NF C EXC3](#) [LCA 60W 900-1750MA ONE4ALL C PRE](#) [LC 8/180/44 FIXC SR SNC2](#) [LC 19/200-350/54 FLEXC LP SNC4](#) [BXDR-PS-75BS-E116D-01-A](#) [LC 30/500/54 FIXC SR SNC2](#) [LCA 60W 24V ONE4ALL SC PRE SP](#) [LC 60W 75-330MA 310V FLEXC NF H16 EXC4](#) [LC 8/180/42 FIXC PC SR SNC2](#) [LC 10/350/29 FIXC SR SNC2](#) [LC 50/100-400/140 PO4A NF H16 PRE3](#) [LC 25/600/42 FIXC SRL ADV2](#) [LCO 24/200-1050/39 NF C ADV3](#) [ELEMENT 35/220...240/900 G3](#) [LC 25W 350-1050MA FLEXC SR EXC](#) [LC 35W 24 ONE4ALL IP PRE](#) [BXDR-PS-25BS-E107D-01-A](#) [LC 17W 250-700MA FLEXC SR EXC](#) [LC 14W 700MA FIXC PC SR SNC2](#) [LC 200W 24V SC SNC](#) [LC 65W 200-350MA 210V FLEXC LP SNC4](#) [LC 60/1400/43 FIXC SR SNC2](#) [LC 75W 250-400MA 220V O4A LP ADV](#) [4880](#) [PWM-60-24DA2](#) [PWM-90-48DA2](#) [8538](#) [LC 165/400-700/320 FLEXC LP SNC4](#) [LCO 40W 200-1050MA 64V O4A NF C EXC3](#) [LCI 150/250-1050/300 PD NF H28 PRE4](#)