

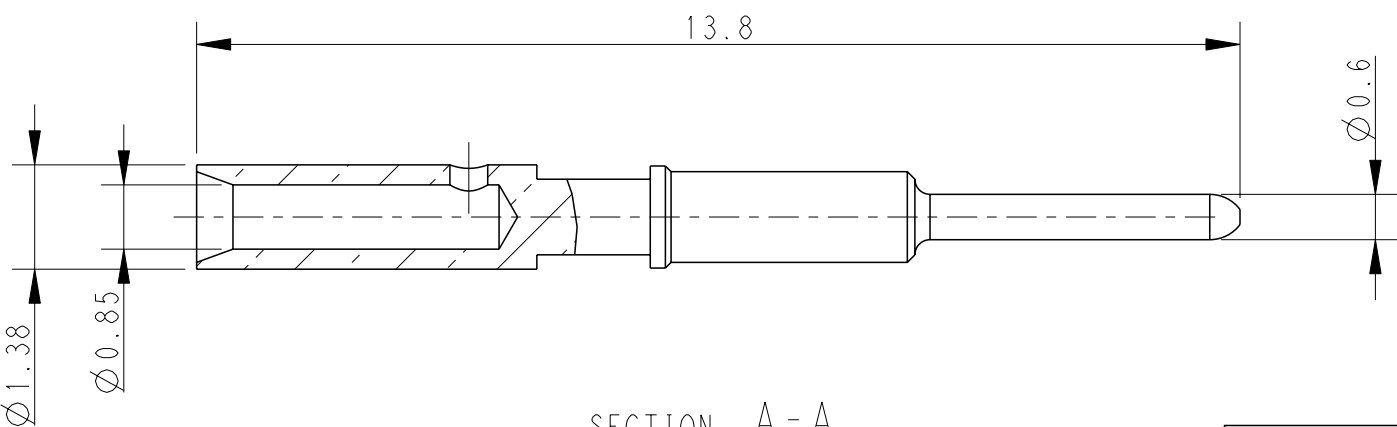
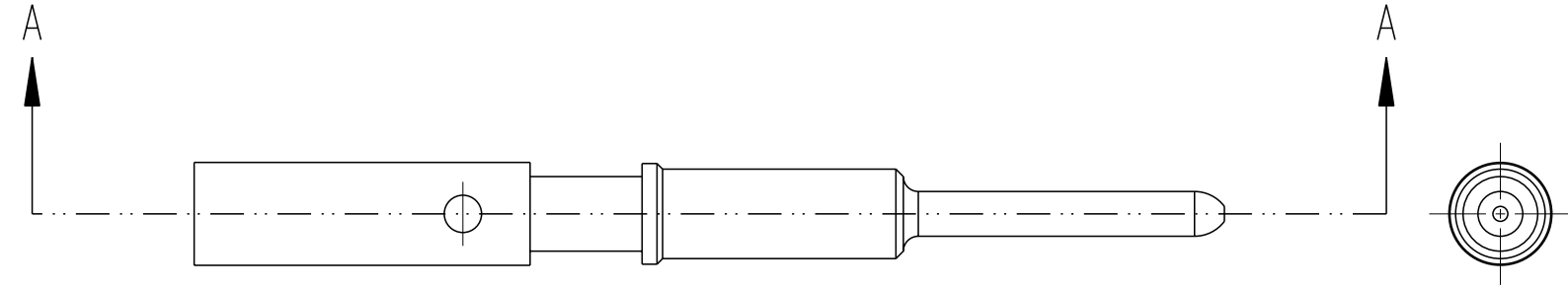
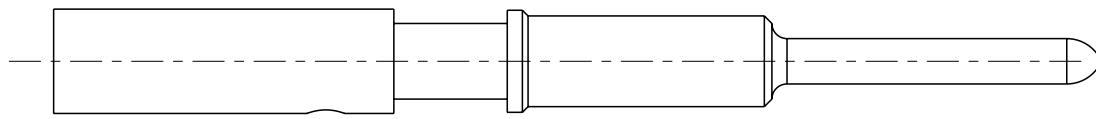
© 2023 TE Connectivity. All Rights Reserved.

REVISIONS

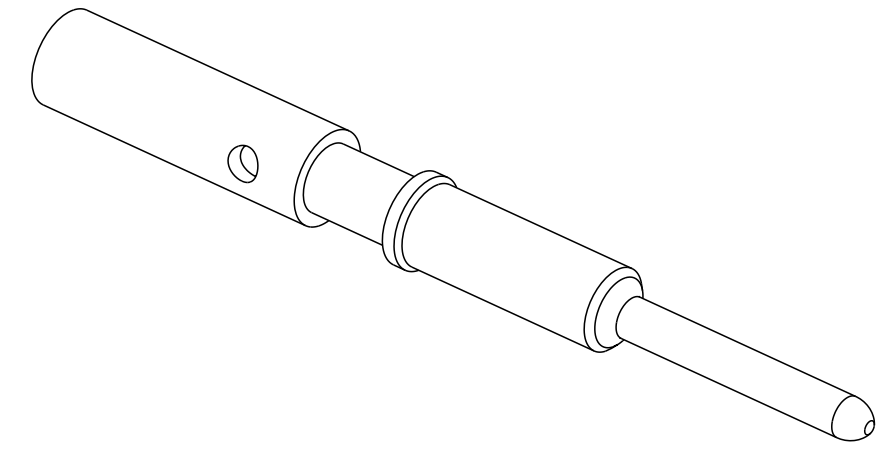
P	LTR	DESCRIPTION	DATE	DWN	APVD
	A	INITIAL RELEASE	16OCT2023	AD	CW
	A1	ECR-24-208147	08MAY2024	AD	CW

NOTES:
 1. TECHNICAL CHARACTERISTICS:
 CONTACT MATERIAL: BRASS ALLOY
 SURFACE TREATMENT: GOLD PLATING
 CONTACT RESISTANCE: $\leq 15m\Omega$
 OPERATION TEMPERATURE: $-40\sim+125^{\circ}C$
 DIGITAL CRIMPING TOOL:
 TE PART NO.: C0-0235-000-000
 LOCATOR FOR DIGITAL CRIMPING TOOL:
 TE PART NO.: C0-0265-000-000

注释:
 1. 技术参数:
 针件材料: 铜合金
 表面处理: 镀金
 接触电阻: $\leq 15m\Omega$
 工作温度: $-40\sim+125^{\circ}C$
 数码压接工具:
 TE料号: C0-0235-000-000
 数码压接工具的定位器:
 TE料号: C0-0265-000-000



SECTION A-A



T2400011002-000	ETH-CP-0.6	ETHERNET PIN CONTACT $\varnothing 0.6MM$, GOLD PLATED, CRIMP 以太网公端子 $\varnothing 0.6$, 镀金, 压接
PART NUMBER 料号	PART DESCRIPTION 描述	

THIS DRAWING IS A CONTROLLED DOCUMENT.		DWN 16OCT2023 Alan Dong												
DIMENSIONS: mm		CHK 16OCT2023 Gino Yao												
TOLERANCES UNLESS OTHERWISE SPECIFIED:		APVD 16OCT2023 Chris Wang												
<table border="1"> <tr><td>0 PLC</td><td>±-</td></tr> <tr><td>1 PLC</td><td>±-</td></tr> <tr><td>2 PLC</td><td>±-</td></tr> <tr><td>3 PLC</td><td>±-</td></tr> <tr><td>4 PLC</td><td>±-</td></tr> <tr><td>ANGLES</td><td>±-</td></tr> </table>		0 PLC			±-	1 PLC	±-	2 PLC	±-	3 PLC	±-	4 PLC	±-	ANGLES
0 PLC	±-													
1 PLC	±-													
2 PLC	±-													
3 PLC	±-													
4 PLC	±-													
ANGLES	±-													
MATERIAL	FINISH	PRODUCT SPEC 108-137683	ETHERNET PIN CONTACT CALIBER 0.6MM											
-	-	APPLICATION SPEC 114-137683	SIZE A3	CAGE CODE 00779	DRAWING NO G-T2400011002000	RESTRICTED TO -								
-	-	WEIGHT 0.09 g	SCALE 10:1		SHEET 1 OF 1	REV A1								
CUSTOMER DRAWING														

Printed on 8 May 2024 17:17 (China Standard Time) from TE343936

X-ON Electronics

Largest Supplier of Electrical and Electronic Components

Click to view similar products for [Terminals](#) category:

Click to view products by [TE Connectivity](#) manufacturer:

Other Similar products are found below :

[00-054007-01074-6](#) [00-054007-70206-1](#) [00-054007-70210-8](#) [00-054007-70217-7](#) [00-054007-70228-3](#) [00-054007-70256-6](#) [00-054007-70316-7](#) [00-054007-49560-4](#) [00-054007-70209-2](#) [00-054007-70231-3](#) [00-054007-70241-2](#) [00-054007-70242-9](#) [00-054007-70246-7](#) [00-054007-70263-4](#) [00-054007-70288-7](#) [00-054007-70290-0](#) [00-054007-70300-6](#) [00-054007-70304-4](#) [01-2900-1-04412](#) [0190160084](#) [0190350008](#) [600TS-10](#) [605601-1](#) [60617-1-C](#) [61314-6-C](#) [626-0194](#) [63-S](#) [M55155/079C01](#) [M55155/099B03](#) [M55155/109H01](#) [M55155/12XH05](#) [M55155/29XJ08](#) [M55155/30-6S](#) [M55155/30-9S](#) [M55155/30XI09](#) [M6-14RSX](#) [696861-1](#) [696999-1](#) [M86700006](#) [D18-110B-C](#) [D18-110B-M](#) [701-1936](#) [701-1955](#) [701-2003](#) [701-2007](#) [701-2013](#) [701-2018](#) [701-2069](#) [701-2077-60](#) [701-2315](#)