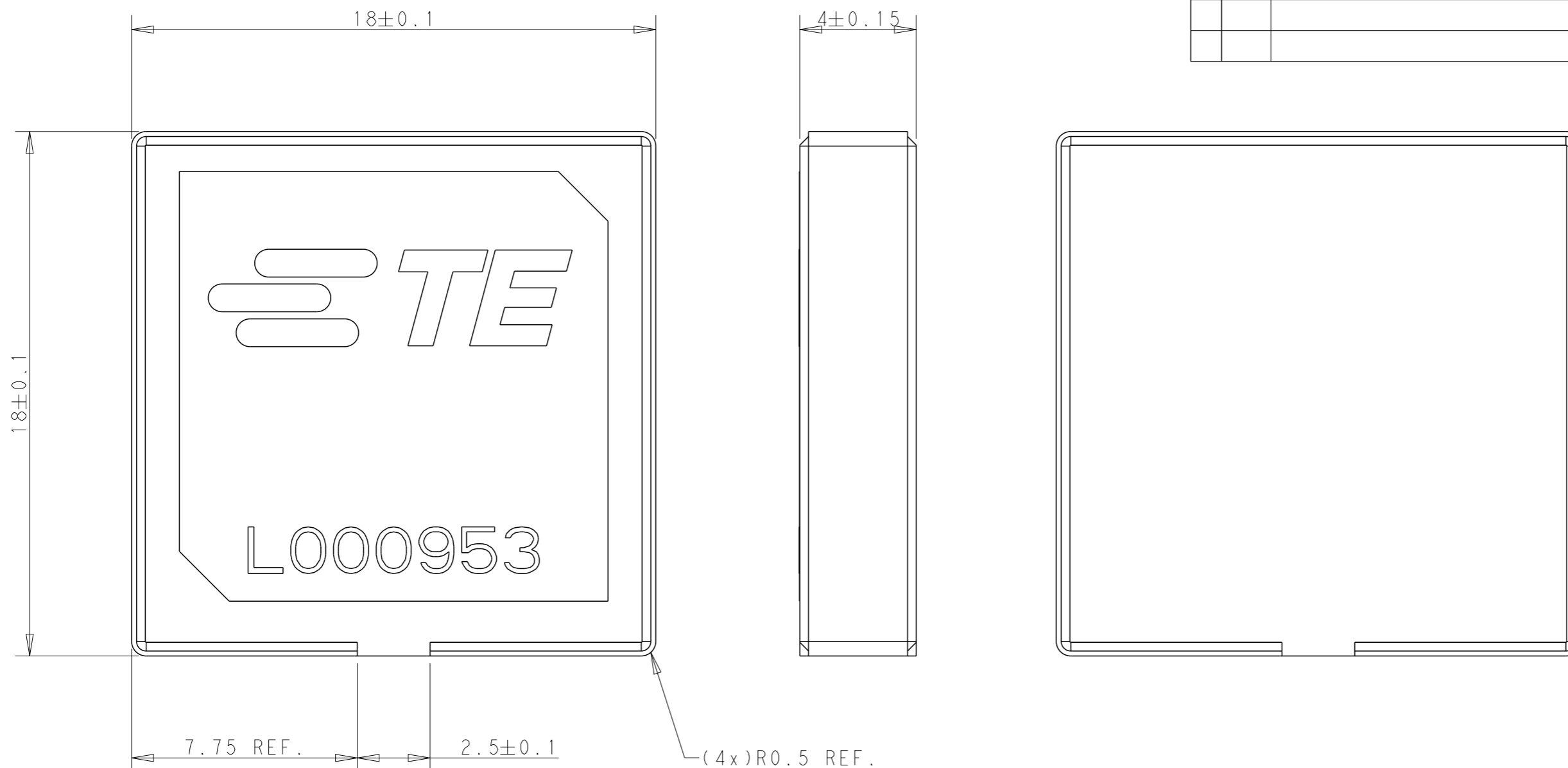


P	LTR	DESCRIPTION	DATE	DWN	APVD
	A	REVISED PER ECN-24-287474	07OCT2024	DW	VK
	A1	REVISED PER ECN-24-292456	07NOV2024	DW	VK



NOTES: UNLESS OTHERWISE SPECIFIED.

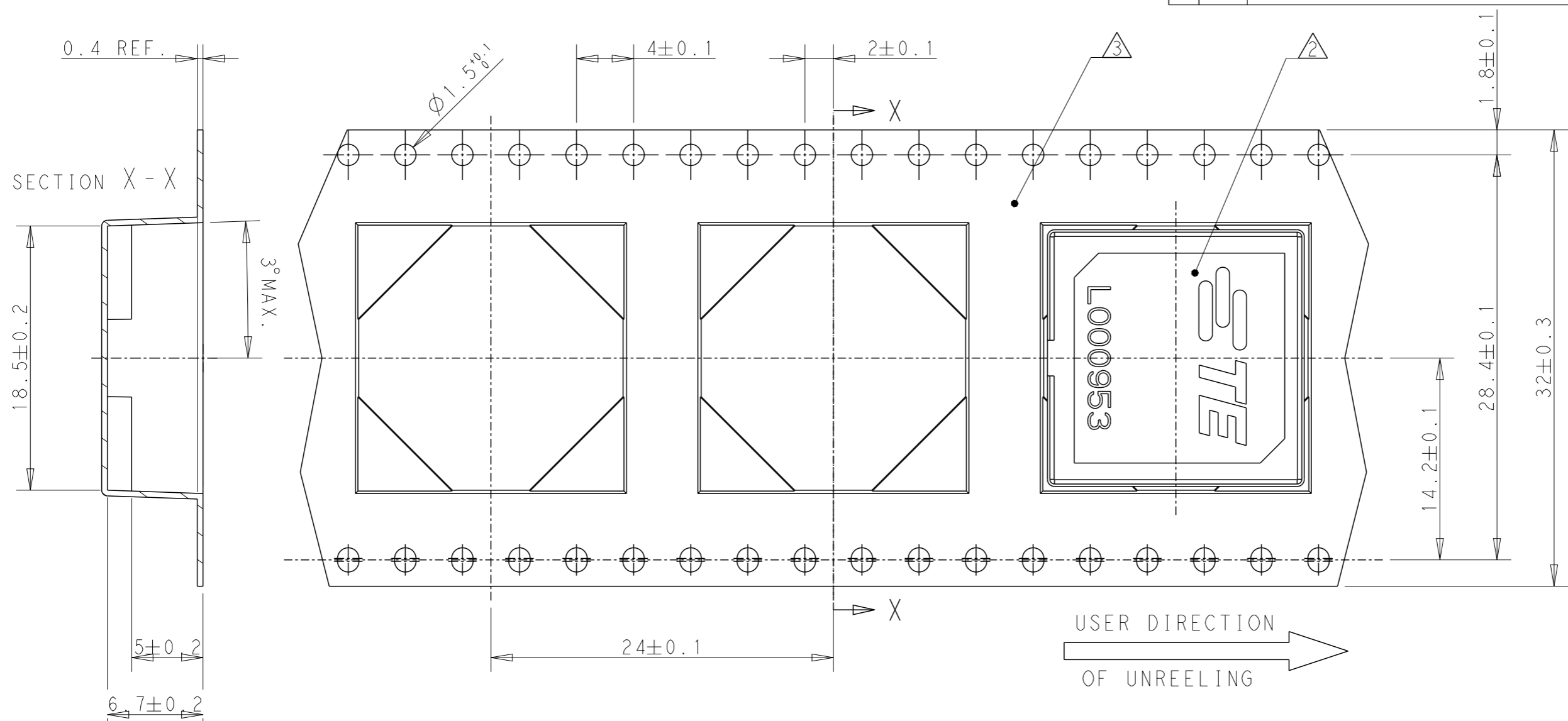
1. MATERIAL : CERAMIC
2. CONSULT TE CONNECTIVITY DATA SHEET : L000953
3. CONTACT TE CONNECTIVITY ENGINEERING PRIOR TO DESIGNIN INTO AN APPLICATION.
4. PACKAGING : TAPE AND REEL PACKAGED, SEE SHEET 2

TAPE AND REELED	L000953-01
PACKAGING	PART NUMBER

THIS DRAWING IS A CONTROLLED DOCUMENT.		DWN DW.PARK	08JUL2024	 TE Connectivity NAME Ceramic Patch Ant, 1575-1602MHz, 18x18x4			
DIMENSIONS: mm		CHK SJ.NOH	08JUL2024				
		APVD NG.WEITAT	08JUL2024				
TOLERANCES UNLESS OTHERWISE SPECIFIED:		PRODUCT SPEC					
0 PLC ±- 1 PLC ±- 2 PLC ±- 3 PLC ±- 4 PLC ±- ANGLES ±-		APPLICATION SPEC		RESTRICTED TO			
MATERIAL		WEIGHT		SIZE	CAGE CODE	DRAWING NO	RESTRICTED TO
-		-		A3	00779	©-L000953	-
-		-		CUSTOMER DRAWING		SCALE	SHEET
-		-				6:1	1 OF 4
							REV A1

AS SHOWN L000953-01
ANTENNA WITH REEL PACKAGING
REFERENCE ONLY

P	LTR	DESCRIPTION	DATE	DWN	APVD
		SEE SHEET 1			



NOTES.

1. UNLESS OTHERWISE SPECIFIED TOLERANCE PER EIA-481-D

2 ORIENT PARTS AS SHOWN.

3 MATERIAL : P.S 0.4mm THICKNESS, COLOR : BLACK, CONDUCTIVE
WHEN ALTERNATIVEMATERIAL (PET, P.P) USE, CONSULT ECO PRIOR TO MANUFACTURER.

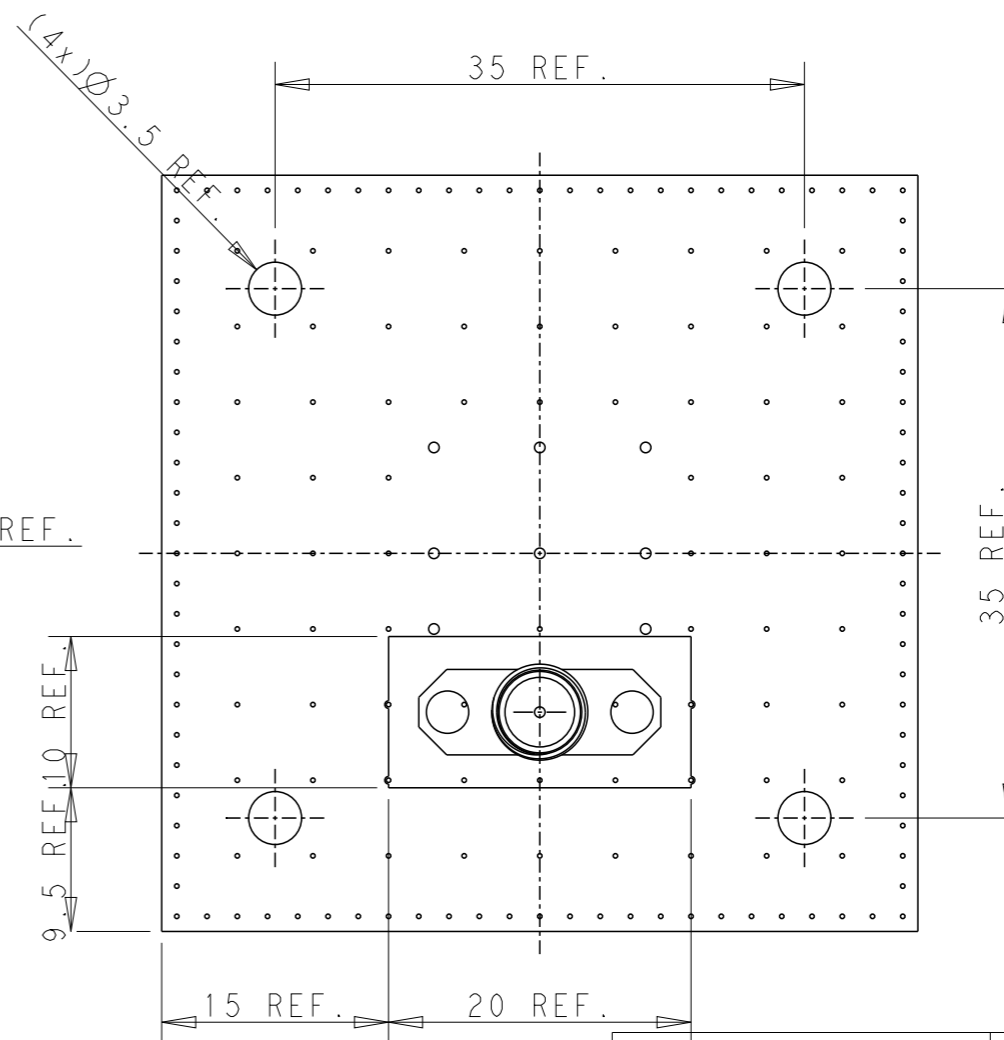
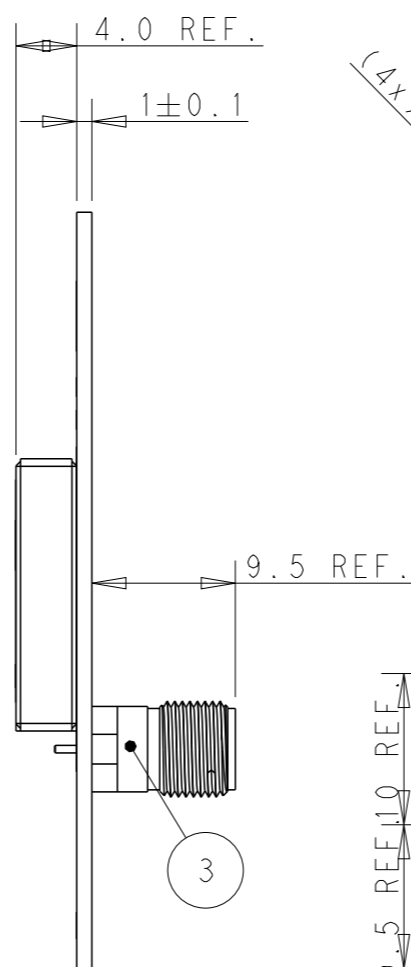
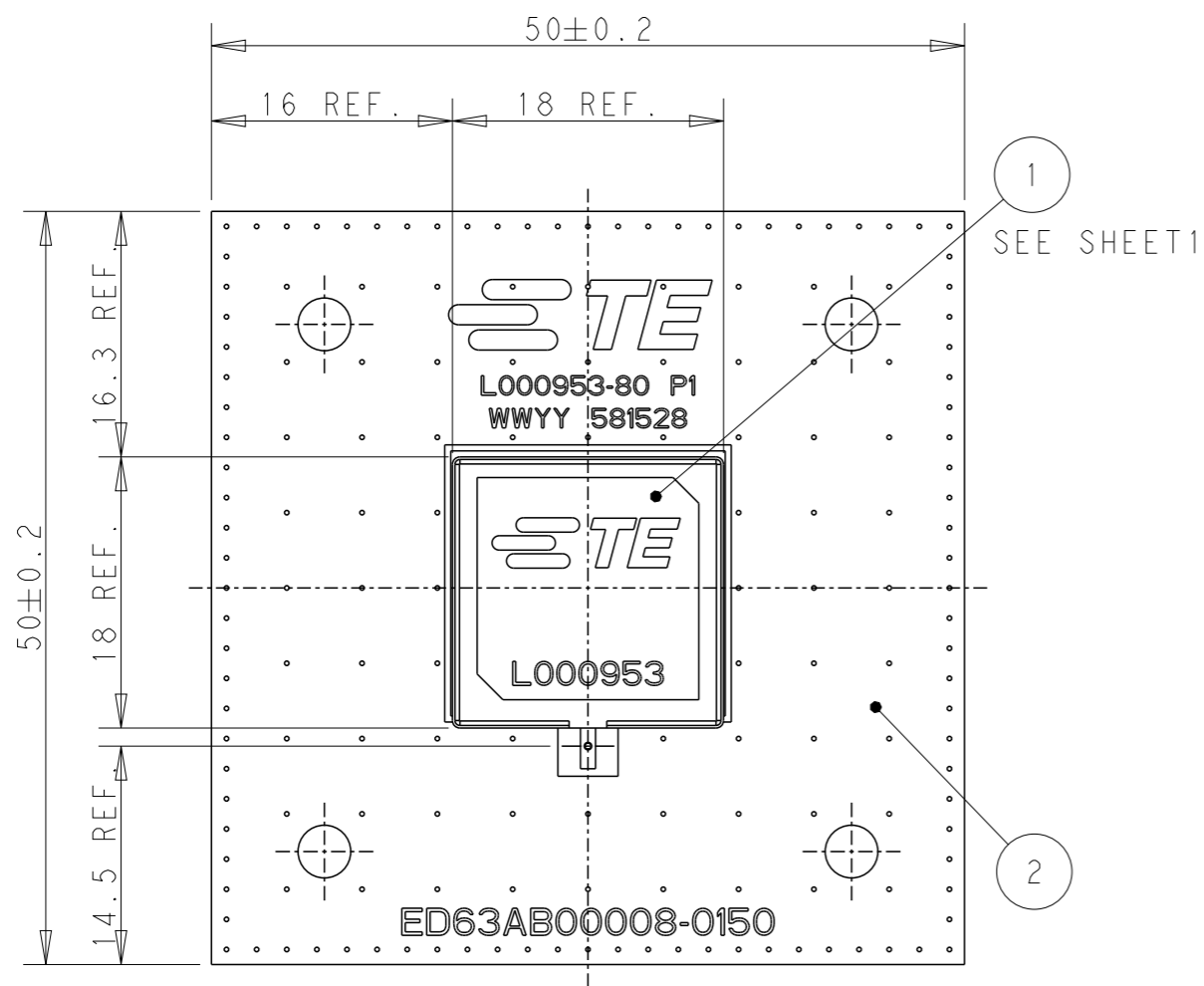
4. Q'TY/REEL : 150 PCS/REEL

THIS DRAWING IS A CONTROLLED DOCUMENT.		DWN DW.PARK 08JUL2024	TE Connectivity		
DIMENSIONS: mm		CHK SJ.NOH 08JUL2024			
TOLERANCES UNLESS OTHERWISE SPECIFIED:		APVD NG.WEITAT 08JUL2024	NAME Ceramic Patch Ant, 1575-1602MHz, 18x18x4		
0 PLC ±- 1 PLC ±- 2 PLC ±- 3 PLC ±- 4 PLC ±- ANGLES ±-		PRODUCT SPEC -	RESTRICTED TO -		
MATERIAL -		APPLICATION SPEC -	SIZE A3	CAGE CODE 00779	DRAWING NO C=L000953
FINISH -		WEIGHT -	SCALE 3:1		
		CUSTOMER DRAWING	SHEET 2 OF 4		
			REV A1		

ANTENNA WITH EVB ASS'Y

REVISIONS

P	LTR	DESCRIPTION	DATE	DWN	APVD
		SEE SHEET 1			




NOTES: UNLESS OTHERWISE SPECIFIED.

- MATERIAL : SEE TABLE.
- FINISH : EVB ASSEMBLY WITH SOLDER PROCESS

3. SILKSCREEN : WHITE EPOXY INK
 A. TE LOGO, TE P/N
 B. WORD REV., FOLLOWED BY THE LATEST REVISION, AS SHOWN/
 C. 4 DIGITS DATE CODE : FIRST 2 DIGITS FOR THE WEEK CODE AND THE 2ND TWO DIGITS FOR THE YEAR CODE.
 OTHERS : SPECIFIED TE SOURCE CODE NUMBER DIGITS AS REQUIRED.

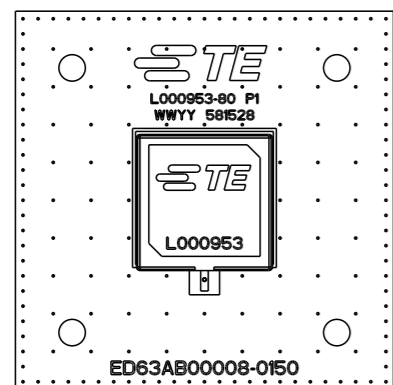
- CONSULTS TE CONNECTIVITY DATA SHEET L000953
- CONTACT TE CONNECTIVITY ENGINEERING PRIOR TO DESIGNING INTO AN APPLICATION.
- PACKAGING: SECURELY VACUUM PACKAGED IN BULK.

VACUUM IN BULK		L000953-80
PACKAGING		PART NUMBER
1	SMA FEMALE CONNECTOR	3
1	EVB	2
1	L000953-01 ANTENNA	1
Q'TY (PC)	DESCRIPTION	ITEM

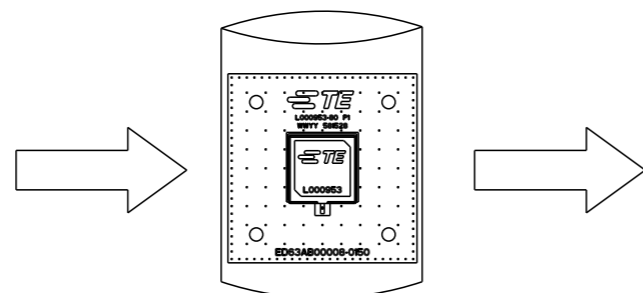
THIS DRAWING IS A CONTROLLED DOCUMENT.		DWN DW.PARK 08JUL2024	 TE Connectivity NAME Ceramic Patch Ant, 1575-1602MHz, 18x18x4	
DIMENSIONS: mm		CHK SJ.NOH 08JUL2024		
TOLERANCES UNLESS OTHERWISE SPECIFIED:		APVD NG.WEITAT 08JUL2024		
0 PLC ±- 1 PLC ±- 2 PLC ±- 3 PLC ±- 4 PLC ±- ANGLES ±-		PRODUCT SPEC -		
MATERIAL -		FINISH -	APPLICATION SPEC -	SIZE A3
			WEIGHT -	CAGE CODE 00779
				DRAWING NO L000953
				RESTRICTED TO -
				SCALE 2:1 SHEET 3 OF 4 REV A1

P	LTR	DESCRIPTION	DATE	DWN	APVD
		SEE SHEET 1			

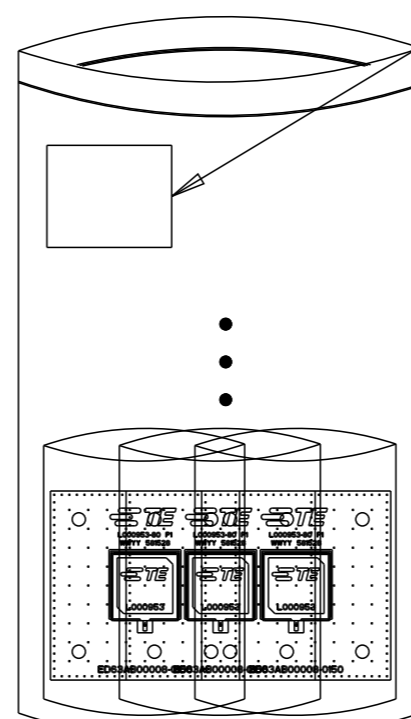
PACKAGING SPECIFICATIONS FOR REFERENCE



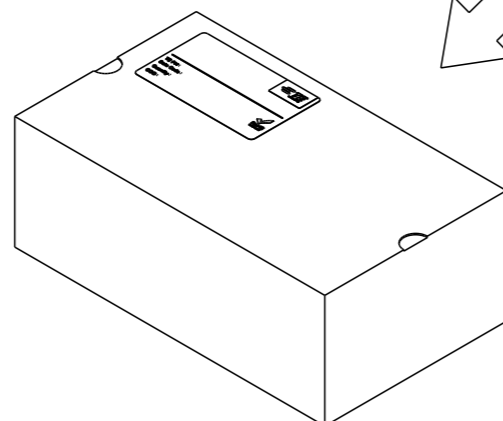
ANTENNA WITH EVB ASS'Y



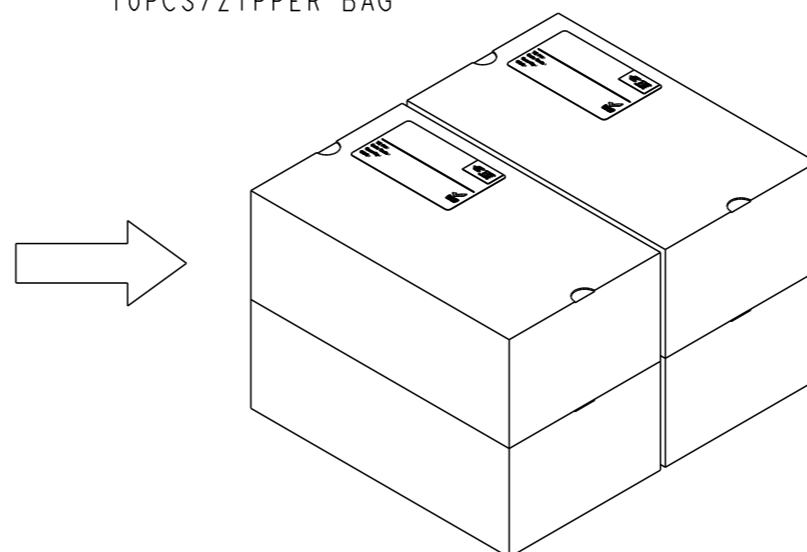
IPC/BAG
DRYING AGENT : IPC/BAG



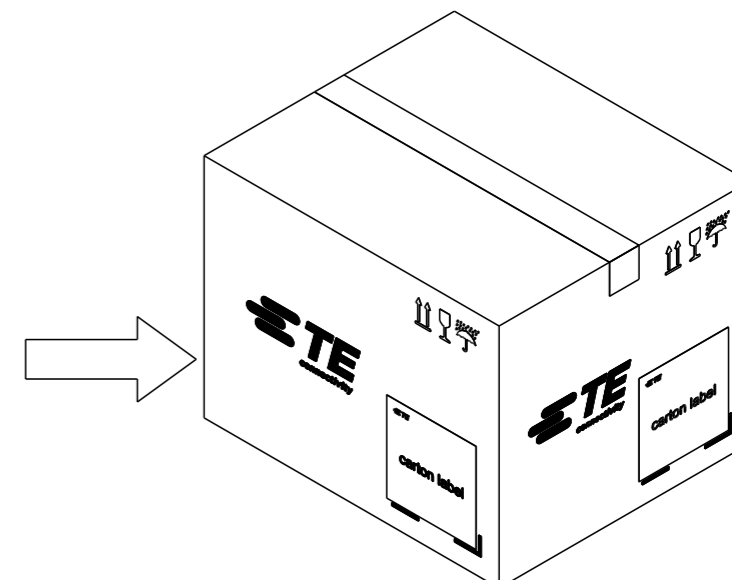
10PCS/ZIPPER BAG



4 ZIPPER BAGS/BOX
40PCS/BOX
BOX SIZE : 154x263x96(MM)



4 BOXES



4 BOXES/CARTON
160PCS/CARTON
SIZE : 330x280x254(MM)



THIS DRAWING IS A CONTROLLED DOCUMENT.		DWN DW.PARK	08JUL2024	TE Connectivity NAME Ceramic Patch Ant, 1575-1602MHz, 18x18x4	
DIMENSIONS: mm		CHK SJ.NOH	08JUL2024		
TOLERANCES UNLESS OTHERWISE SPECIFIED:		APVD NG.WEITAT	08JUL2024	PRODUCT SPEC	
0 PLC ±-		APPLICATION SPEC		SIZE	
1 PLC ±-		-		CAGE CODE	
2 PLC ±-		-		DRAWING NO	
3 PLC ±-		-		RESTRICTED TO	
4 PLC ±-		-		A300779	
ANGLES ±-		-		C=L000953	
FINISH		WEIGHT		-	
-		-		CUSTOMER DRAWING	
-		-		SCALE 1:1	
				SHEET 4 OF 4	
				REV A1	

X-ON Electronics

Largest Supplier of Electrical and Electronic Components

Click to view similar products for [Antennas](#) category:

Click to view products by [TE Connectivity](#) manufacturer:

Other Similar products are found below :

[930-033-R](#) [108-00014-50](#) [66089-2406](#) [A09-F8NF-M](#) [RGFRA1903041A1T](#) [108-00016-050](#) [W1049B090](#) [WTL2449CQ1-FRSMM](#) [CPL9C](#)
[0600-00060](#) [PAL90209H-FNF](#) [GD53-25](#) [S9025PLSMF](#) [GPSCPMM00](#) [ANTDOM-05-01-WPM](#) [ANT-WP868SMA-Y](#) [CBNC58](#) [MD10-004](#)
[ABFT](#) [LP800NMOW](#) [NMOQ88C](#) [NMOQB](#) [NMOQC](#) [ANT-GSMGPSUKS](#) [60210](#) [60140](#) [ANT-8WPIG-UFL](#) [ANT-GPSUKS](#) [A21H0](#)
[29000863](#) [29000848](#) [955179003](#) [22100003](#) [DL-T022-2.4G](#) [DL-T023-4G](#) [T1-915M](#) [DL-T021-2.4GW](#) [DL-T021-2.4G](#) [KH-IPEX-1.13](#)
[BWGNXCX16-6B1Y2L120](#) [BWGNXCX15-15B1Y4L120](#) [DL-T023-4GW](#) [J008-GSM](#) [3N0401LG-021](#) [KHA\(RG1.13\)-TX90B-IPEX](#) [KH-](#)
[GPS181804-WY](#) [KHA\(RG1.13\)-TX80B-IPEX](#) [TX5800-JZ-5](#) [KH-137-TX90B-IPEX4](#) [KH-113-TX100B-IPEX4](#)