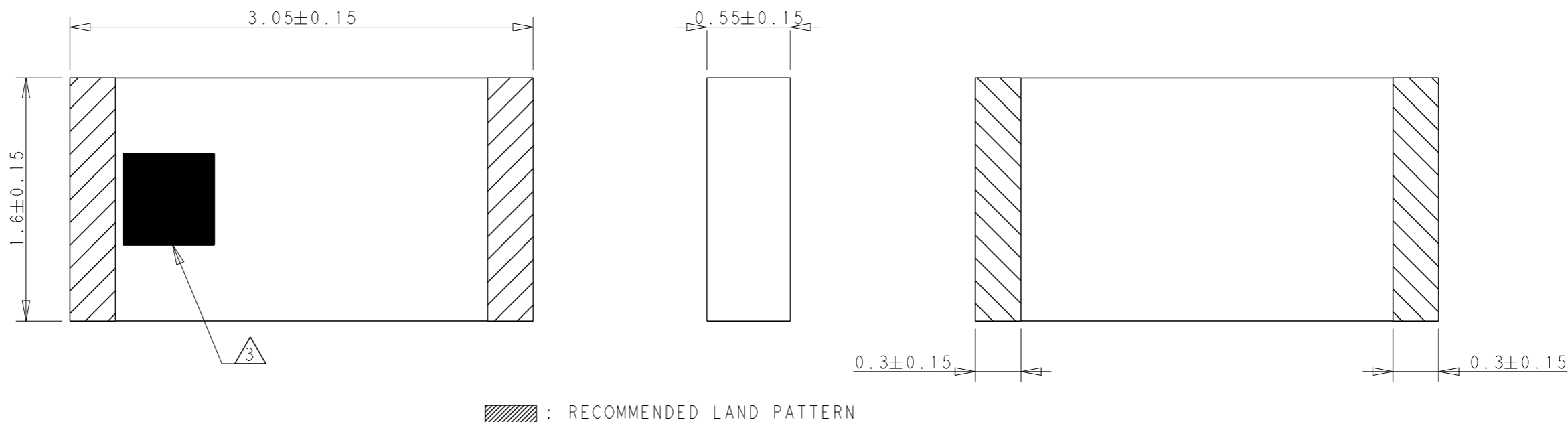


REVISIONS					
P	LTR	DESCRIPTION	DATE	DWN	APVD
	A	REVISED PER ECN-24-247466	07OCT2024	DW	VK
	A1	REVISED PER ECN-24-288287	11OCT2024	DW	VK



RECOMMENDED LAND PATTERN

NOTES : UNLESS OTHERWISE SPECIFIED.

- 1. MATERIAL : CERAMIC
- 2. CONSULT TE CONNECTIVITY DATA SHEET : L000703

MARKING : INDICATION DIRECTION

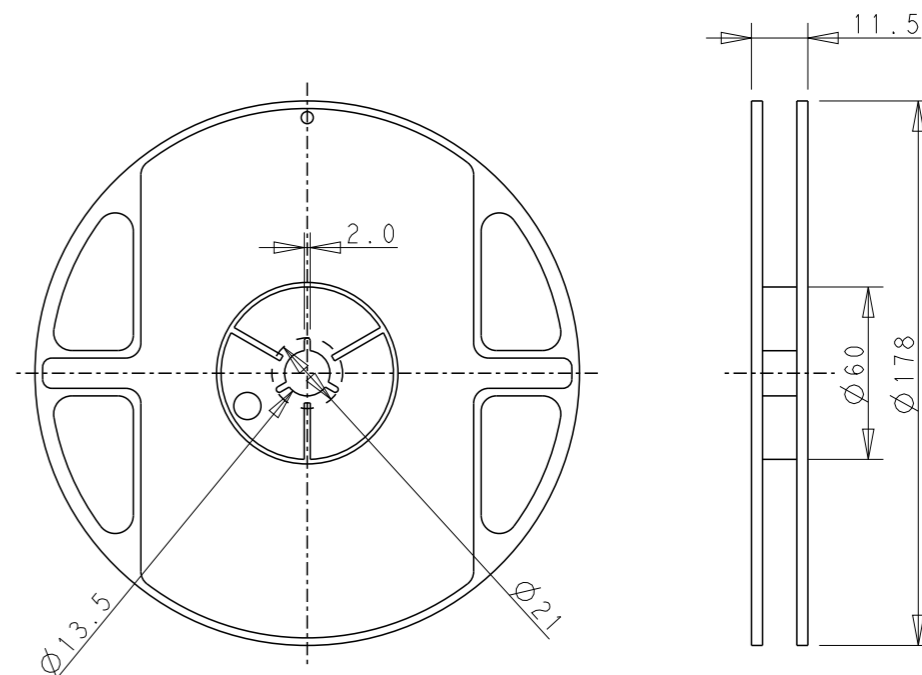
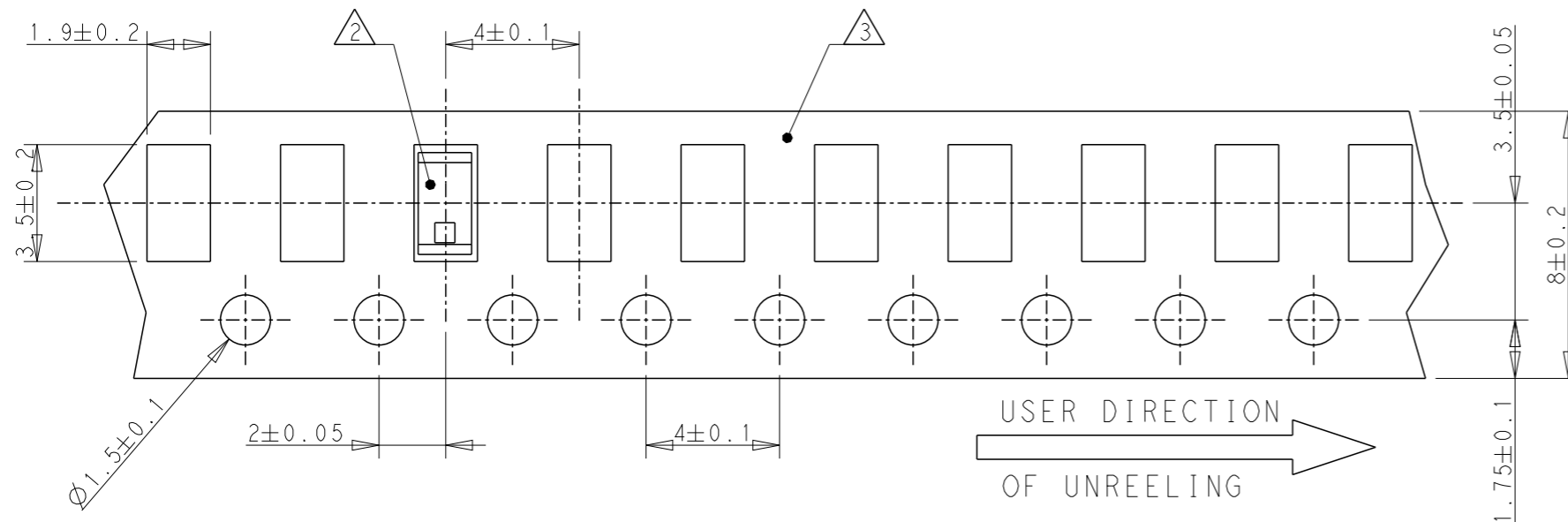
- 4. CONTACT TE CONNECTIVITY ENGINEERING PRIOR TO DESIGNING INTO AN APPLICATION.
- 5. PACKAGING : TAPE AND REEL PACKAGED, SEE SHEET 2.

TAPE AND REELED	L000703-01
PACKAGING	PART NUMBER

THIS DRAWING IS A CONTROLLED DOCUMENT.		DWN DW.PARK 13OCT2023												
DIMENSIONS: mm		CHK SJ.NOH 13OCT2023												
TOLERANCES UNLESS OTHERWISE SPECIFIED:		APVD JH.KIM 13OCT2023												
<table border="0"> <tr><td>0 PLC</td><td>±-</td></tr> <tr><td>1 PLC</td><td>±-</td></tr> <tr><td>2 PLC</td><td>±-</td></tr> <tr><td>3 PLC</td><td>±-</td></tr> <tr><td>4 PLC</td><td>±-</td></tr> <tr><td>ANGLES</td><td>±-</td></tr> </table>		0 PLC			±-	1 PLC	±-	2 PLC	±-	3 PLC	±-	4 PLC	±-	ANGLES
0 PLC	±-													
1 PLC	±-													
2 PLC	±-													
3 PLC	±-													
4 PLC	±-													
ANGLES	±-													
MATERIAL SEE NOTE 1		FINISH -	NAME Chip ant, 1561-1602MHz, 3.05x1.6x0.55											
-		WEIGHT -	SIZE A3	CAGE CODE 00779										
		CUSTOMER DRAWING	DRAWING NO. L000703	RESTRICTED TO -										
		SCALE 30:1	SHEET 1 OF 4	REV A1										

P	LTR	DESCRIPTION	DATE	DWN	APVD
		SEE SHEET 1			

AS SHOWN L000703-01
ANTENNA WITH REEL PACKAGING
REFERENCE ONLY



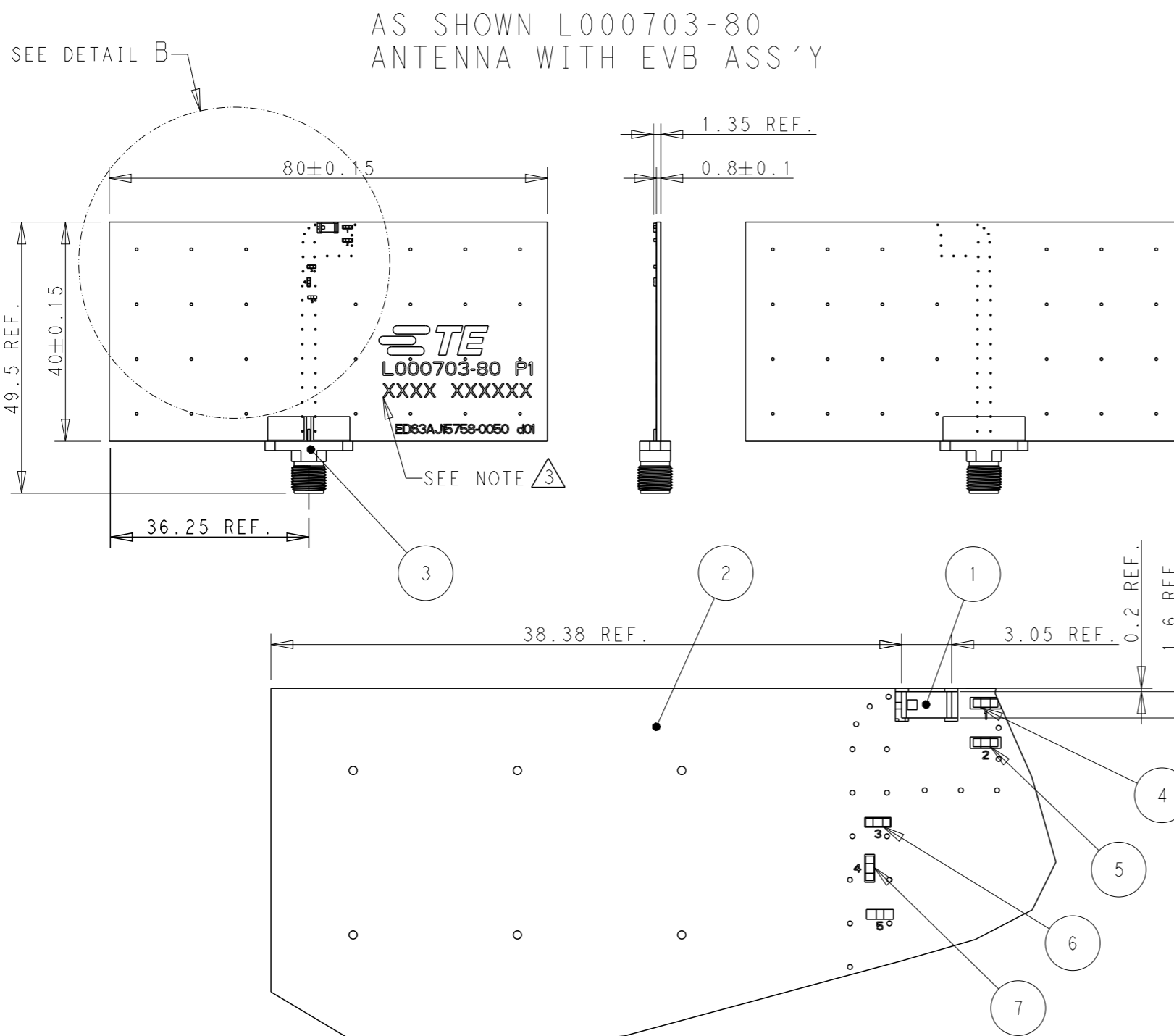
[FOR REFERENCE] DA PACKAGE

NOTES.

- UNLESS OTHERWISE SPECIFIED TOLERANCE PER EIA-481-D
- ORIENT PARTS AS SHOWN.
- MATERIAL : P.S 0.4mm THICKNESS, COLOR : BLACK, CONDUCTIVE
WHEN ALTERNATIVE MATERIAL (PET, P.P) USE, CONSULT ECO PRIOR TO MANUFACTURER.
- Q'TY/REEL : 5000PCS/REEL

THIS DRAWING IS A CONTROLLED DOCUMENT.		DWN DW.PARK	13OCT2023		
DIMENSIONS: mm		CHK SJ.NOH	13OCT2023		
TOLERANCES UNLESS OTHERWISE SPECIFIED:		APVD JH.KIM	13OCT2023	NAME Chip ant, 1561-1602MHz, 3.05x1.6x0.55	
0 PLC ±-		PRODUCT SPEC	-	APPLICATION SPEC	
1 PLC ±-		APPLICATION SPEC	-	SIZE	CAGE CODE
2 PLC ±-		WEIGHT	-	A300779	©-L000703
3 PLC ±-		CUSTOMER DRAWING	-	SCALE	SHEET
4 PLC ±-				5:1	2 OF 4
ANGLES ±-				REV	A1
FINISH					
MATERIAL SEE NOTE 3					

P	LTR	DESCRIPTION	DATE	DWN	APVD
		SEE SHEET 1			



NOTES: UNLESS OTHERWISE SPECIFIED.

- MATERIAL : SEE TABLE.
- FINISH : EVB ASSEMBLY WITH SOLDER PROCESS
3. SILKSCREEN : WHITE EPOXY INK

 - A. TE LOGO, TE P/N
 - B. WORD REV., FOLLOWED BY THE LATEST REVISION, AS SHOWN/
 - C. 4 DIGITS DATE CODE : FIRST 2 DIGITS FOR THE WEEK CODE AND THE 2ND TWO DIGITS FOR THE YEAR CODE.
 - OTHERS : SPECIFIED TE SOURCE CODE NUMBER DIGITS AS REQUIRED.
- CONSULTS TE CONNECTIVITY DATA SHEET L000703
- CONTACT TE CONNECTIVITY ENGINEERING PRIOR TO DESIGNING INTO AN APPLICATION.
- PACKAGING: SECURELY VACUUM PACKAGED IN BULK (REFER TO SHEET 4)

VACUUM IN BULK		L000703-80
PACKAGING		PART NUMBER
1	RESISTOR(00HM)	7
1	CAPACITOR(3.3pF)	6
1	CAPACITOR(1pF)	5
1	CAPACITOR(2pF)	4
1	SMA FEMALE CONNECTOR	3
1	EVB	2
1	L000703-01 ANTENNA	1
Q'TY (PC)	DESCRIPTION	ITEM

DETAIL B
SCALE 3:1

THIS DRAWING IS A CONTROLLED DOCUMENT.		DWN DW.PARK	13OCT2023	TE Connectivity NAME Chip ant, 1561-1602MHz, 3.05x1.6x0.55	
DIMENSIONS: mm		CHK SJ.NOH	13OCT2023		
TOLERANCES UNLESS OTHERWISE SPECIFIED:		APVD JH.KIM	13OCT2023		
0 PLC ±- 1 PLC ±- 2 PLC ±- 3 PLC ±- 4 PLC ±- ANGLES ±-		PRODUCT SPEC	-		
MATERIAL SEE NOTE 1		FINISH		APPLICATION SPEC	-
-		-		WEIGHT	-
CUSTOMER DRAWING				SIZE A3	CAGE CODE 00779
				DRAWING NO C=L000703	RESTRICTED TO -
				SCALE 1:1	SHEET 3 OF 4
				REV A1	

X-ON Electronics

Largest Supplier of Electrical and Electronic Components

Click to view similar products for [Antennas](#) category:

Click to view products by [TE Connectivity](#) manufacturer:

Other Similar products are found below :

[930-033-R](#) [EXE902SM](#) [108-00014-50](#) [66089-2406](#) [A09-F8NF-M](#) [A09-F5NF-M](#) [RGFRA1903041A1T](#) [W1049B090](#) [TRABT1560](#)
[WTL2449CQ1-FRSMM](#) [CPL9C](#) [CB27S](#) [0600-00060](#) [Y4503](#) [PAL90209H-FNF](#) [GD53-25](#) [MAF94051](#) [S9025PLSMF](#) [QWFTB120](#)
[MAF94300](#) [FG4403](#) [BB1442NR](#) [GPSCPMM00](#) [ANTDOM-05-01-WPM](#) [ANT-WP868SMA-Y](#) [EXW30BNX](#) [S4908WBFNM](#) [B4305CN](#)
[C27](#) [C27S](#) [CBNC58](#) [EXH160MXI](#) [EXH160SFK](#) [EXC902SM](#) [CB27](#) [ABFT](#) [BB4502NR](#) [B4502N](#) [S4908WBFNF](#) [NMOQ88C](#) [NMOQB](#)
[NMOQC](#) [ANT-GSMGPSPUKS](#) [60210](#) [60140](#) [ANT-8WPIG-UFL](#) [ANT-GPSPUKS](#) [A21H0](#) [29000863](#) [29000848](#)