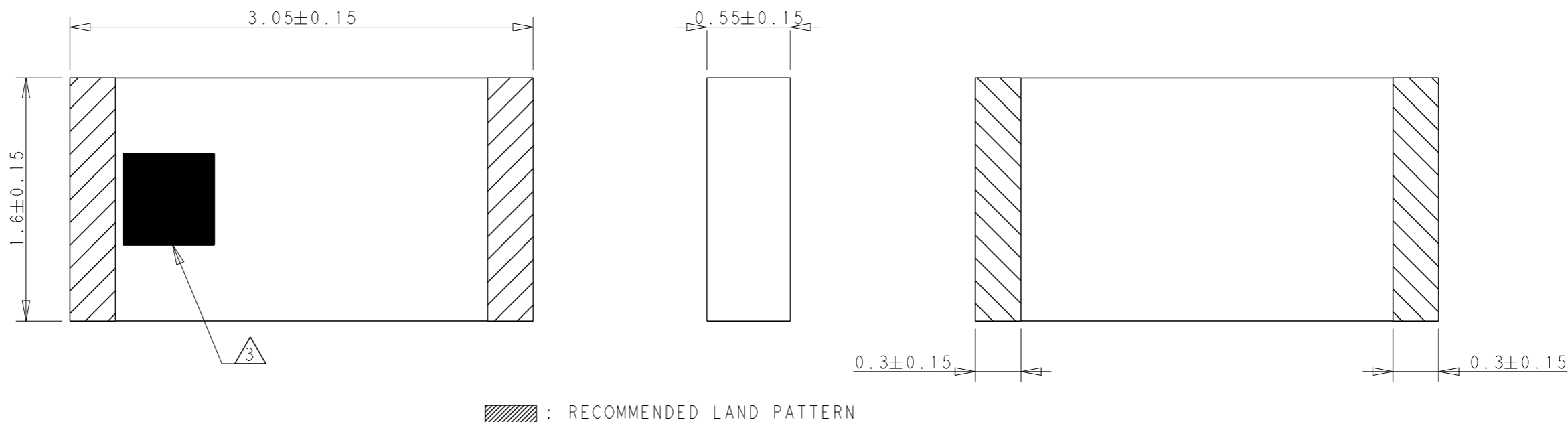


REVISIONS					
P	LTR	DESCRIPTION	DATE	DWN	APVD
	A	REVISED PER ECN-24-247466	07OCT2024	DW	VK
	A1	REVISED PER ECN-24-288287	11OCT2024	DW	VK



RECOMMENDED LAND PATTERN


NOTES : UNLESS OTHERWISE SPECIFIED.

- 1. MATERIAL : CERAMIC
- 2. CONSULT TE CONNECTIVITY DATA SHEET : L000703

MARKING : INDICATION DIRECTION

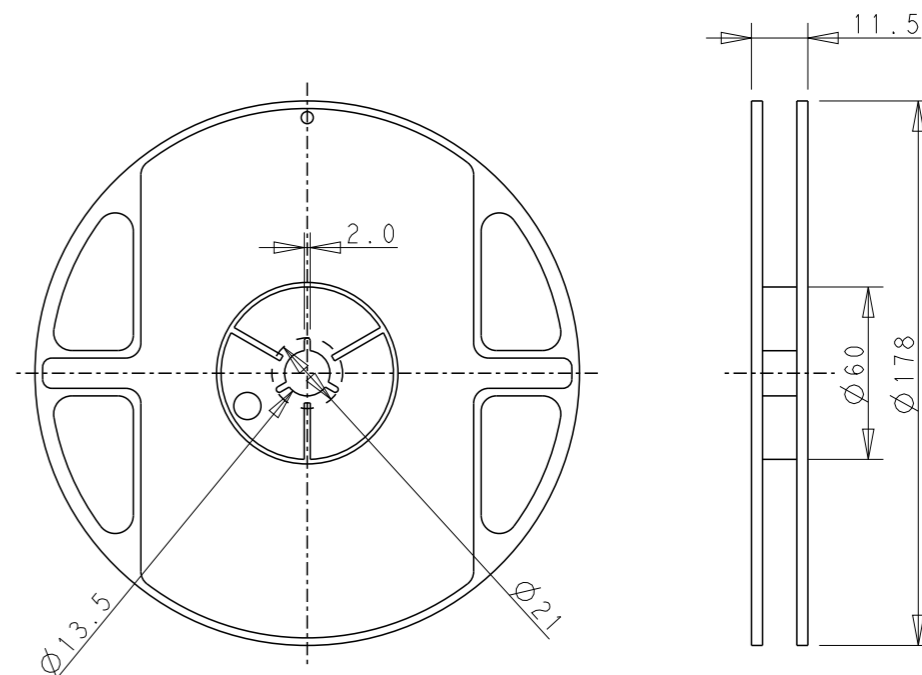
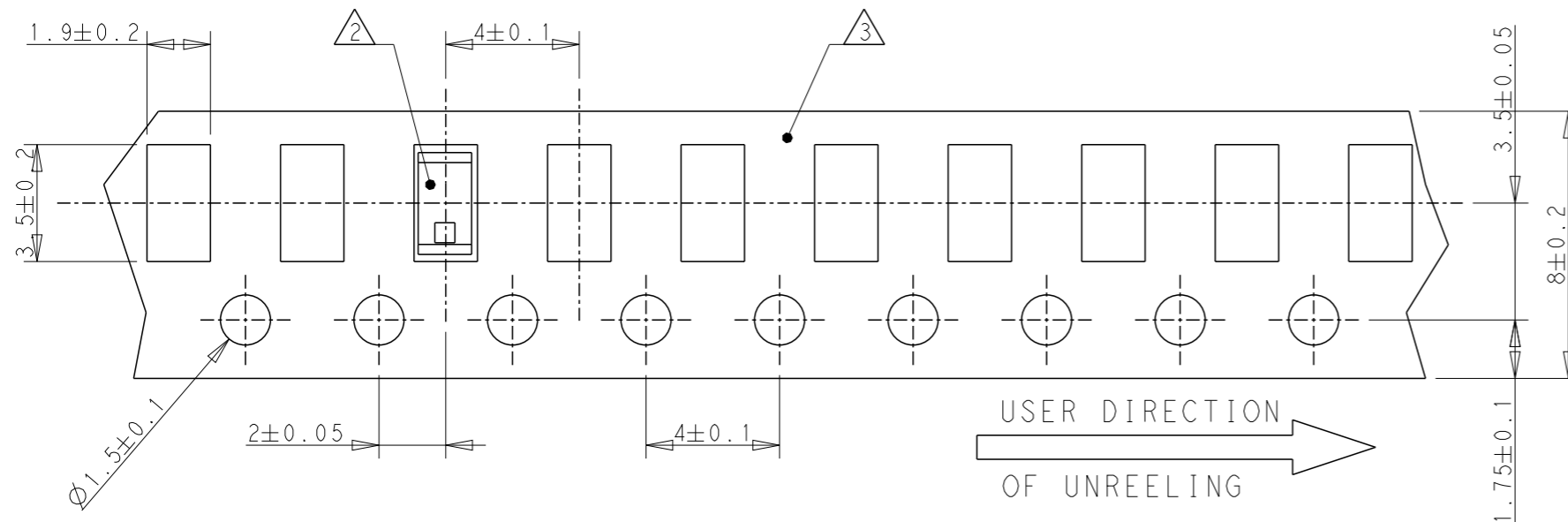
- 4. CONTACT TE CONNECTIVITY ENGINEERING PRIOR TO DESIGNING INTO AN APPLICATION.
- 5. PACKAGING : TAPE AND REEL PACKAGED, SEE SHEET 2.

TAPE AND REELED	L000703-01
PACKAGING	PART NUMBER

THIS DRAWING IS A CONTROLLED DOCUMENT.		DWN DW.PARK 13OCT2023	 TE Connectivity NAME Chip ant, 1561-1602MHz, 3.05x1.6x0.55 -	
DIMENSIONS: mm		CHK SJ.NOH 13OCT2023		
TOLERANCES UNLESS OTHERWISE SPECIFIED:		APVD JH.KIM 13OCT2023		
0 PLC ±- 1 PLC ±- 2 PLC ±- 3 PLC ±- 4 PLC ±- ANGLES ±-		PRODUCT SPEC -		
MATERIAL SEE NOTE 1		FINISH -	APPLICATION SPEC -	SIZE A3
-		WEIGHT -	CAGE CODE 00779	DRAWING NO L000703
CUSTOMER DRAWING			RESTRICTED TO -	SCALE 30:1
			SHEET 1 OF 4	REV A1

AS SHOWN L000703-01  
ANTENNA WITH REEL PACKAGING  
REFERENCE ONLY

P	LTR	DESCRIPTION	DATE	DWN	APVD
		SEE SHEET 1			



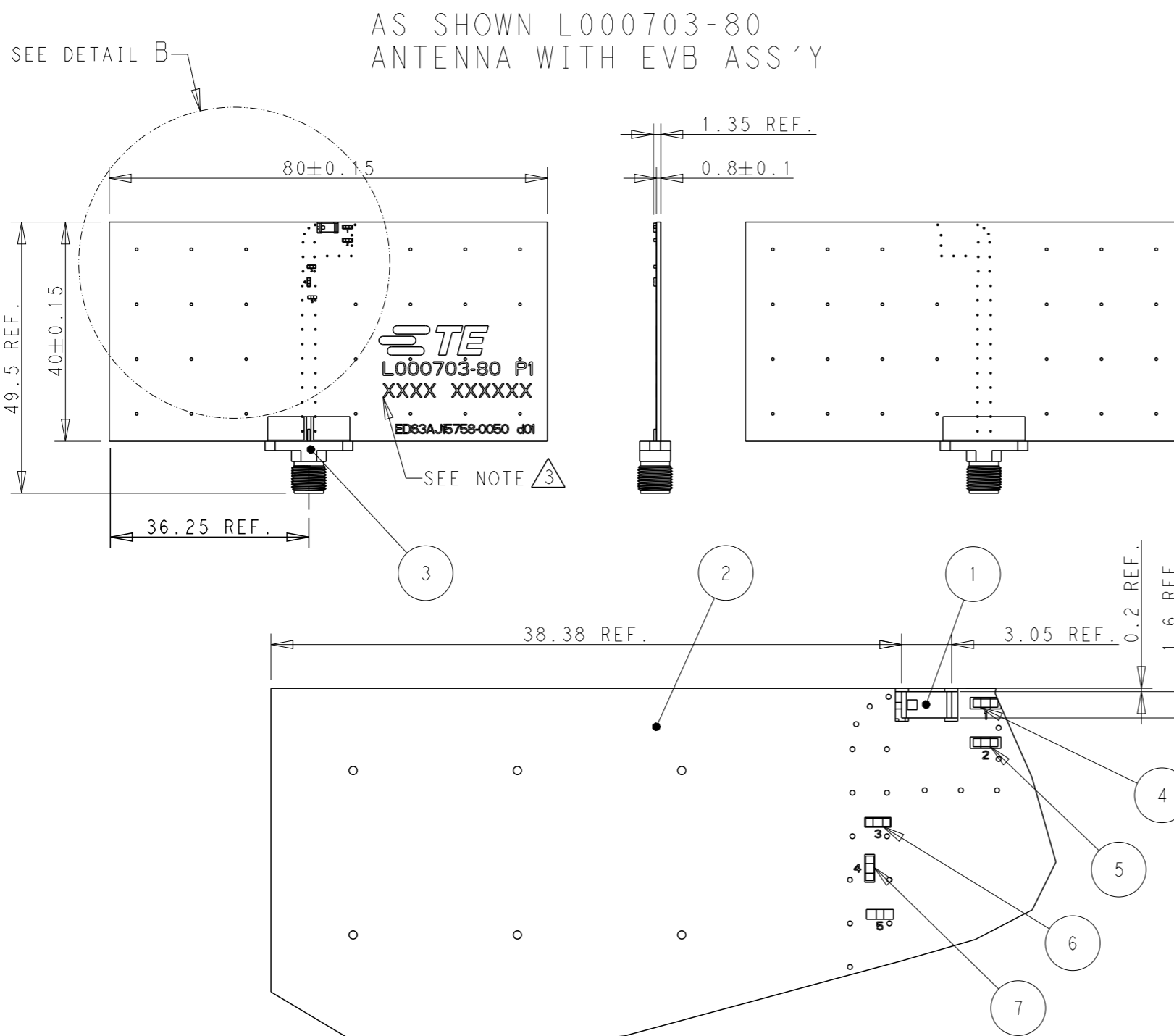
[FOR REFERENCE] DA PACKAGE

NOTES.

- UNLESS OTHERWISE SPECIFIED TOLERANCE PER EIA-481-D
- ORIENT PARTS AS SHOWN.
- MATERIAL : P.S 0.4mm THICKNESS, COLOR : BLACK, CONDUCTIVE  
WHEN ALTERNATIVE MATERIAL (PET, P.P) USE, CONSULT ECO PRIOR TO MANUFACTURER.
- Q'TY/REEL : 5000PCS/REEL

THIS DRAWING IS A CONTROLLED DOCUMENT.		DWN DW.PARK	13OCT2023														
DIMENSIONS: mm		CHK SJ.NOH	13OCT2023														
TOLERANCES UNLESS OTHERWISE SPECIFIED:		APVD JH.KIM	13OCT2023	NAME Chip ant, 1561-1602MHz, 3.05x1.6x0.55													
<table border="1"> <tr><td>0 PLC</td><td>±-</td></tr> <tr><td>1 PLC</td><td>±-</td></tr> <tr><td>2 PLC</td><td>±-</td></tr> <tr><td>3 PLC</td><td>±-</td></tr> <tr><td>4 PLC</td><td>±-</td></tr> <tr><td>ANGLES</td><td>±-</td></tr> </table>		0 PLC	±-	1 PLC	±-	2 PLC	±-	3 PLC	±-	4 PLC	±-	ANGLES	±-	PRODUCT SPEC	-	SIZE	A300779
0 PLC	±-																
1 PLC	±-																
2 PLC	±-																
3 PLC	±-																
4 PLC	±-																
ANGLES	±-																
MATERIAL SEE NOTE 3		APPLICATION SPEC	-	CAGE CODE	G=L000703												
FINISH		WEIGHT	-	DRAWING NO	C=L000703												
-		CUSTOMER DRAWING	SCALE 5:1	SHEET 2 OF 4	REV A1												

P	LTR	DESCRIPTION	DATE	DWN	APVD
		SEE SHEET 1			



AS SHOWN L000703-80  
ANTENNA WITH EVB ASS'Y

SEE DETAIL B

**STE**  
L000703-80 P1  
XXXX XXXXXX  
ED63AJE758-0050 d01

SEE NOTE 3

1.35 REF.  
0.8±0.1

NOTES: UNLESS OTHERWISE SPECIFIED.

- MATERIAL : SEE TABLE.
- FINISH : EVB ASSEMBLY WITH SOLDER PROCESS
- SILKSCREEN : WHITE EPOXY INK  
A. TE LOGO, TE P/N  
B. WORD REV., FOLLOWED BY THE LATEST REVISION, AS SHOWN/  
C. 4 DIGITS DATE CODE : FIRST 2 DIGITS FOR THE WEEK CODE AND THE 2ND TWO DIGITS FOR THE YEAR CODE.  
OTHERS : SPECIFIED TE SOURCE CODE NUMBER DIGITS AS REQUIRED.
- CONSULTS TE CONNECTIVITY DATA SHEET L000703
- CONTACT TE CONNECTIVITY ENGINEERING PRIOR TO DESIGNING INTO AN APPLICATION.
- PACKAGING: SECURELY VACUUM PACKAGED IN BULK (REFER TO SHEET 4)

DETAIL B  
SCALE 3:1

THIS DRAWING IS A CONTROLLED DOCUMENT.

DIMENSIONS:	TOLERANCES UNLESS OTHERWISE SPECIFIED:
mm	
	0 PLC ±-
	1 PLC ±-
	2 PLC ±-
	3 PLC ±-
	4 PLC ±-
	ANGLES ±-
MATERIAL	FINISH
SEE NOTE 1	-
-	-

DWN	DW.PARK	13OCT2023
CHK	SJ.NOH	13OCT2023
APVD	JH.KIM	13OCT2023
PRODUCT SPEC	-	-
APPLICATION SPEC	-	-
WEIGHT	-	-
CUSTOMER DRAWING		

**STE** TE Connectivity

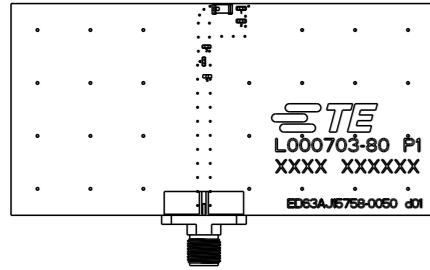
NAME: Chip ant, 1561-1602MHz, 3.05x1.6x0.55

SIZE	CAGE CODE	DRAWING NO	RESTRICTED TO
A3	00779	C=L000703	-

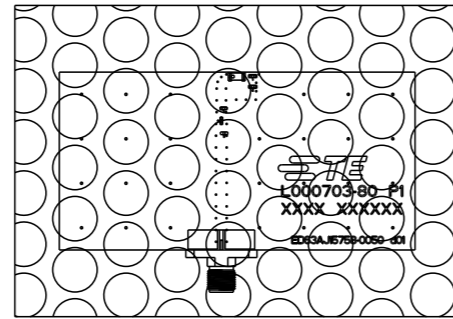
SCALE 1:1 SHEET 3 OF 4 REV A1

# PACKAGING SPECIFICATIONS FOR REFERENCE

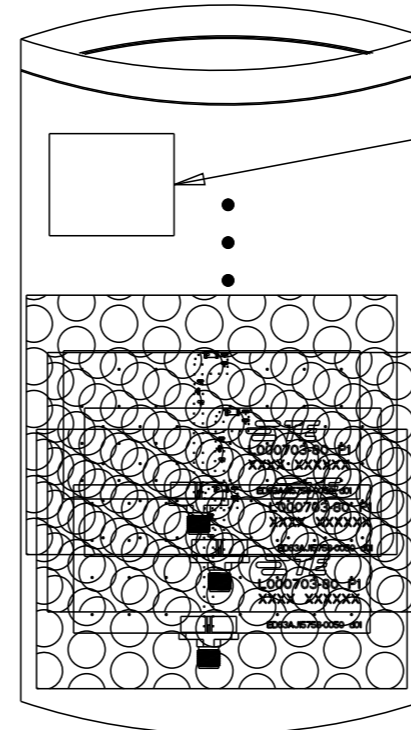
REVISIONS					
P	LTR	DESCRIPTION	DATE	DWN	APVD
		SEE SHEET 1			



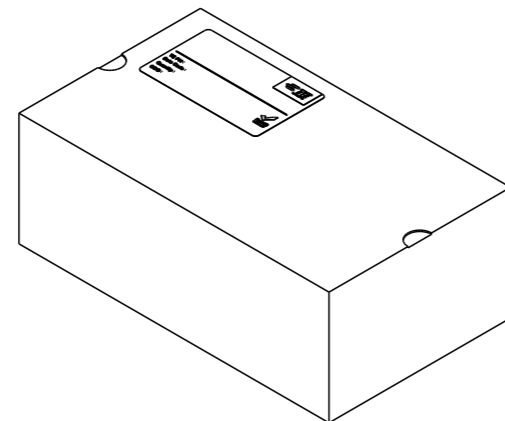
ANTENNA WITH EVB ASS'Y



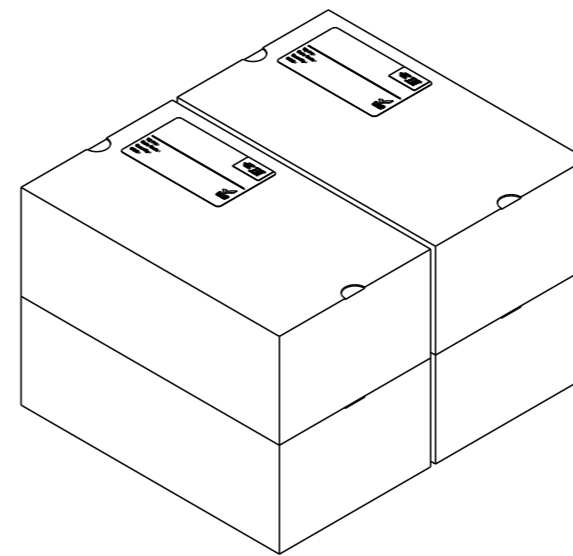
IPC/BAG (BUBBLE WRAP)



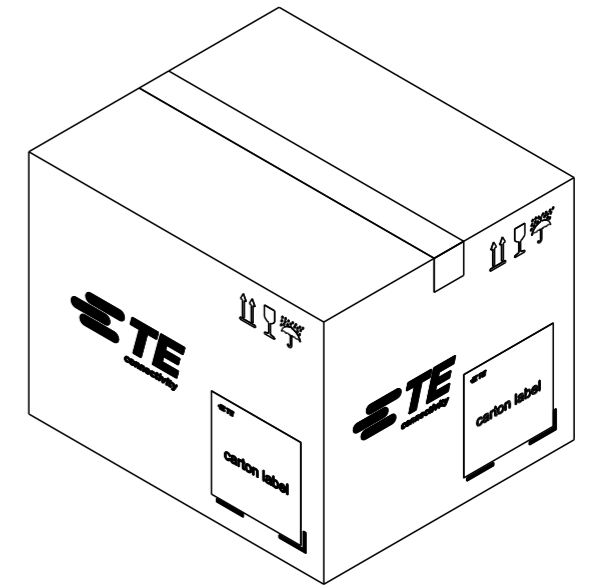
10PCS/ZIPPER BAG



4 ZIPPER BAGS/BOX  
40PCS/BOX  
BOX SIZE : 152x261x118(MM)





4 BOXES



4 BOXES/CARTON  
160PCS/CARTON  
SIZE : 330x280x254(MM)

NOTES: IF PO Q'TY LESS THAN 120PCS, WILL FILL THE OUTSIDE CARTON WITH PAPER (OR BUBBLE WRAP ETC.) INSTEAD OF THE USING EMPTY BOX

THIS DRAWING IS A CONTROLLED DOCUMENT.		DWN	DW.PARK	13OCT2023	 TE Connectivity	
DIMENSIONS:		CHK	SJ.NOH	13OCT2023		
mm		APVD	JH.KIM	13OCT2023		
		PRODUCT SPEC	-			
TOLERANCES UNLESS OTHERWISE SPECIFIED:		APPLICATION SPEC	-		NAME	Chip ant, 1561-1602MHz, 3.05x1.6x0.55
0 PLC	±-	WEIGHT	-		SIZE	A3
1 PLC	±-	CUSTOMER DRAWING	-		CAGE CODE	00779
2 PLC	±-	SCALE	1:1		DRAWING NO	C=L000703
3 PLC	±-	SHEET	4 OF 4		RESTRICTED TO	-
4 PLC	±-	REV	A1			
ANGLES	±-					
FINISH	-					
MATERIAL	SEE NOTE 1					
	-					

## X-ON Electronics

Largest Supplier of Electrical and Electronic Components

*Click to view similar products for [Antennas](#) category:*

*Click to view products by [TE Connectivity](#) manufacturer:*

Other Similar products are found below :

[930-033-R](#) [108-00014-50](#) [66089-2406](#) [A09-F8NF-M](#) [A09-F5NF-M](#) [RGFRA1903041A1T](#) [W1049B090](#) [WTL2449CQ1-FRSMM](#) [CPL9C](#)  
[0600-00060](#) [PAL90209H-FNF](#) [GD53-25](#) [S9025PLSMF](#) [GPSCPMM00](#) [ANTDOM-05-01-WPM](#) [ANT-WP868SMA-Y](#) [CBNC58](#) [ABFT](#)  
[LP800NMOW](#) [NMOQ88C](#) [NMOQB](#) [NMOQC](#) [ANT-GSMGPSPUKS](#) [60210](#) [60140](#) [ANT-8WPIG-UFL](#) [ANT-GPSPUKS](#) [A21H0](#) [29000863](#)  
[29000848](#) [955179003](#) [RFANT2012090A0T](#) [RGFRA3216110A5T](#) [22100003](#) [DL-T022-2.4G](#) [DL-T023-4G](#) [T1-915M](#) [DL-T021-2.4GW](#) [DL-](#)  
[T021-2.4G](#) [KH-IPEX-1.13](#) [BWGNXCX16-6B1Y2L120](#) [BWGNXCX15-15B1Y4L120](#) [DL-T023-4GW](#) [DL-J020-433M](#) [J008-GSM](#)  
[3N0401LG-021](#) [KHA\(RG1.13\)-TX90B-IPEX](#) [KH-GPS181804-WY](#) [KHA\(RG1.13\)-TX80B-IPEX](#) [TX5800-JZ-5](#)