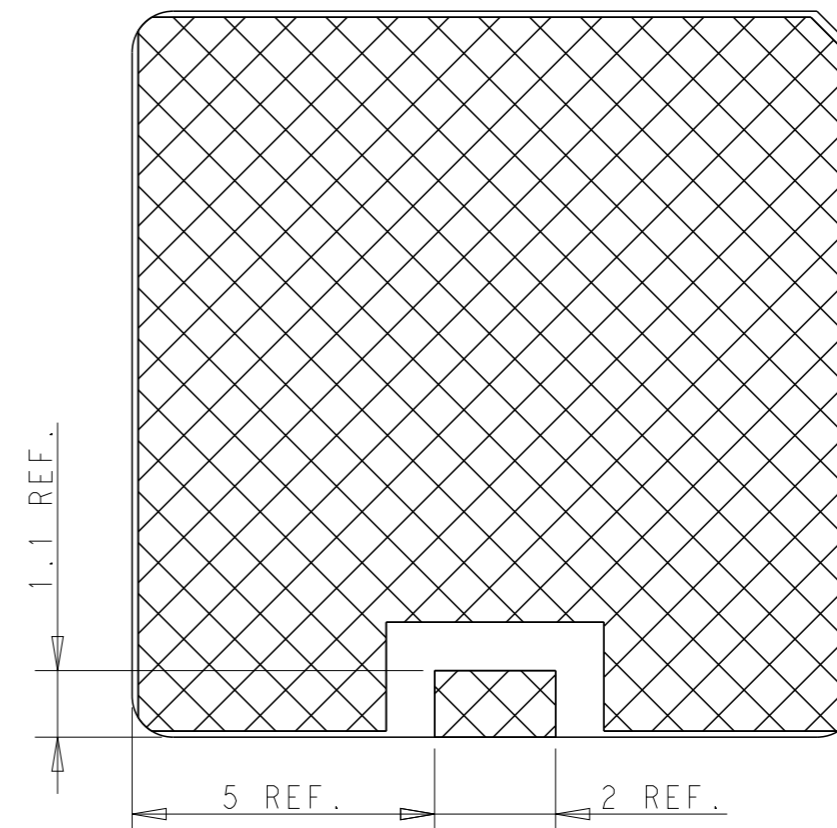
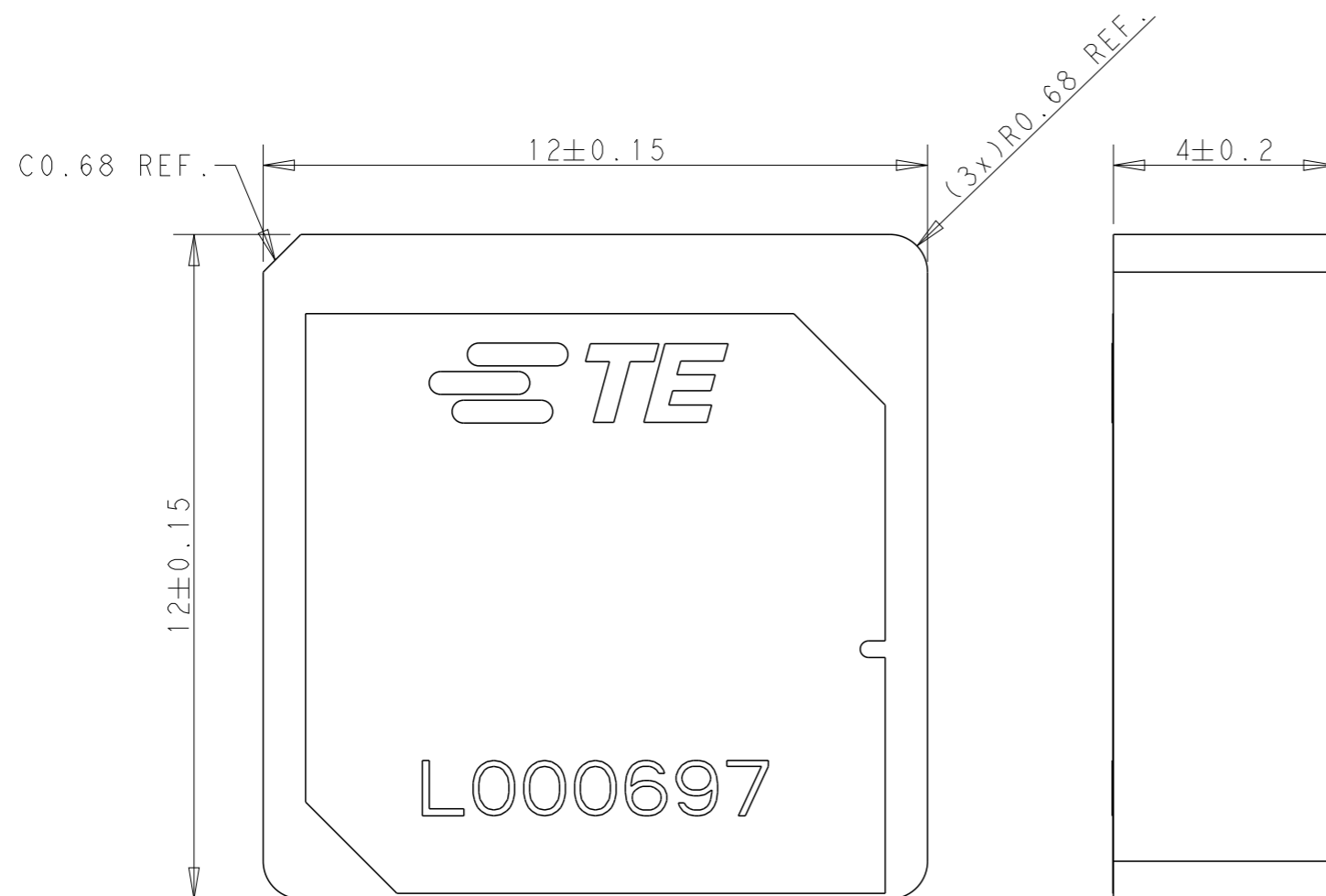


P	LTR	DESCRIPTION	DATE	DWN	APVD
	A	REVISED PER ECN-24-287455	07OCT2024	DW	VK



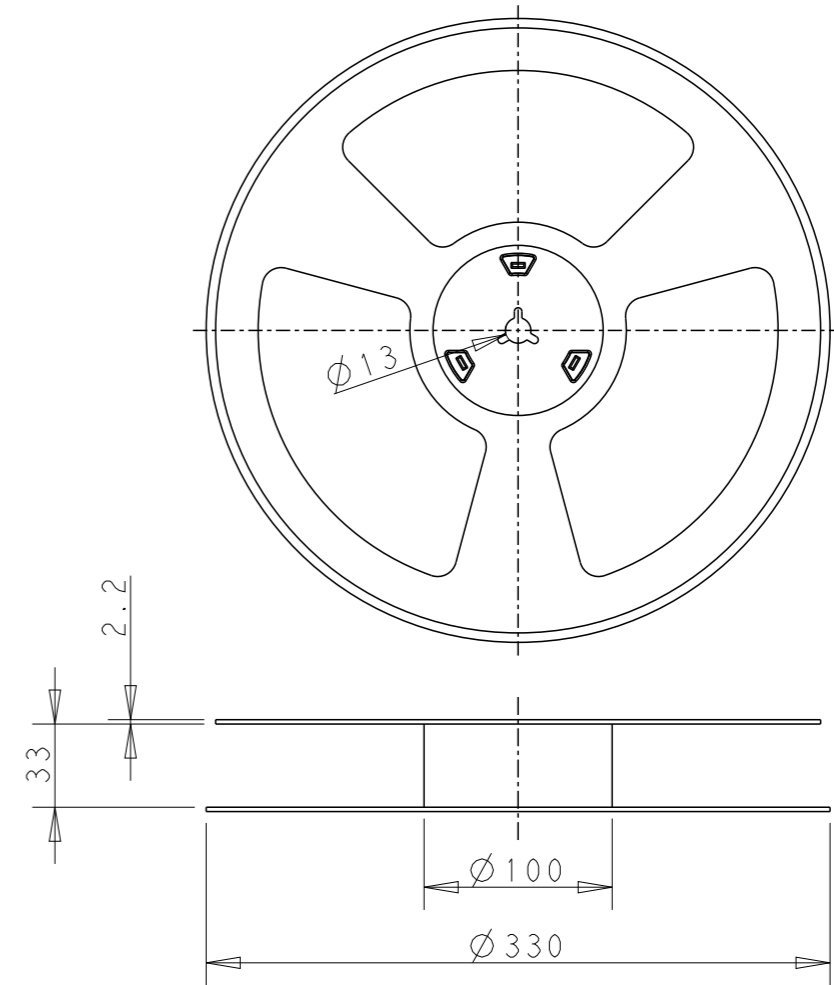
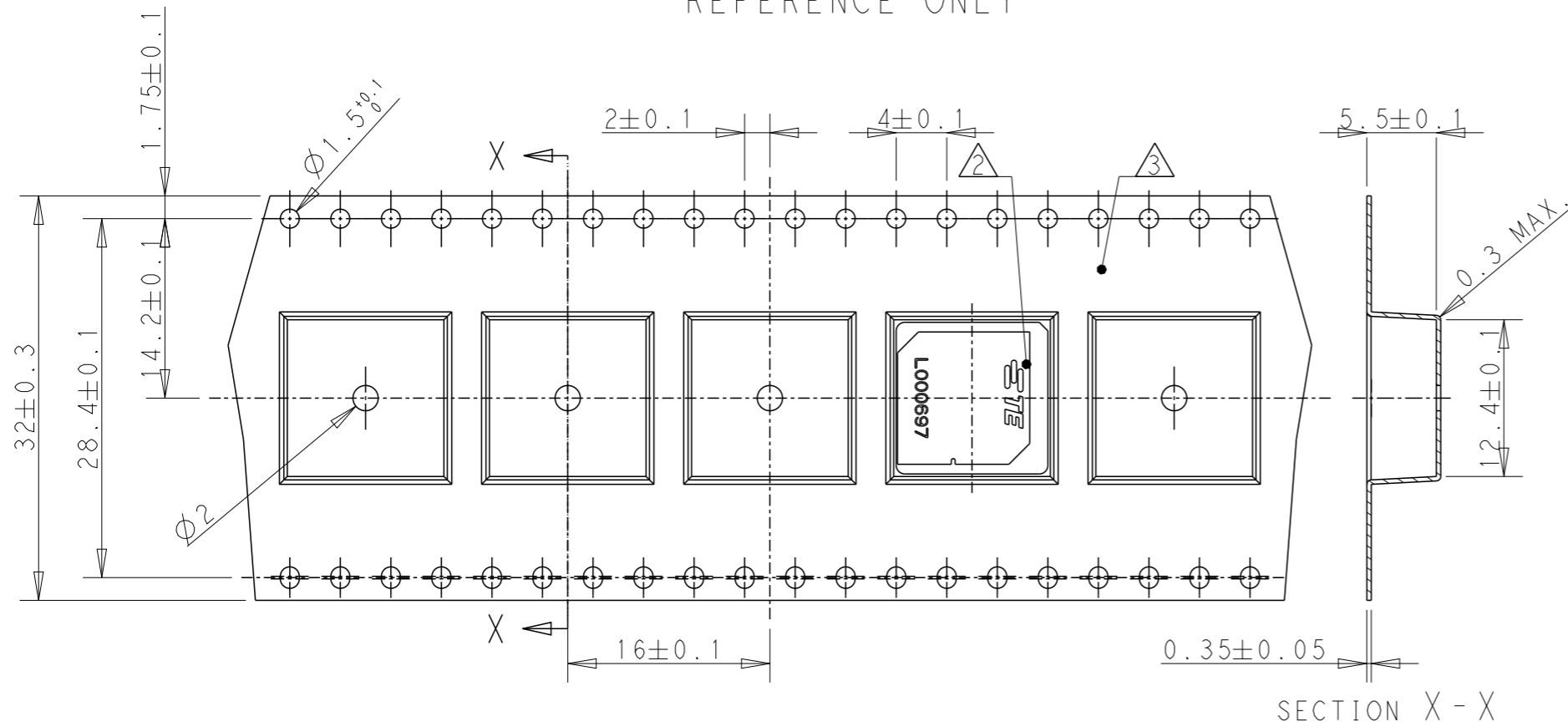
- NOTES: UNLESS OTHERWISE SPECIFIED.
1. MATERIAL : CERAMIC
 2. CONSULT TE CONNECTIVITY DATA SHEET : L000697
 3. CONTACT TE CONNECTIVITY ENGINEERING PRIOR TO DESIGN INTO AN APPLICATION.
 4. PACKAGING : TAPE AND REEL PACKAGED, SEE SHEET 2

TAPE AND REELED	L000697-01
PACKAGING	PART NUMBER

THIS DRAWING IS A CONTROLLED DOCUMENT.		DWN DW.PARK	04JUN2024	TE Connectivity	
DIMENSIONS: mm		CHK SJ.NOH	04JUN2024		
TOLERANCES UNLESS OTHERWISE SPECIFIED:		APVD Ng.WEITAT	04JUN2024	NAME Ceramic Patch ant, 2400-2500MHz, 12x12x4	
0 PLC ±- 1 PLC ±- 2 PLC ±- 3 PLC ±- 4 PLC ±- ANGLES ±-		PRODUCT SPEC 108-160936		SIZE	CAGE CODE
MATERIAL SEE NOTE 1		FINISH		DRAWING NO	RESTRICTED TO
				A300779	©-L000697
				CUSTOMER DRAWING	SCALE 8:1 SHEET 1 OF 4 REV A

P	LTR	DESCRIPTION	DATE	DWN	APVD
		SEE SHEET 1			

AS SHOWN L000697-01
ANTENNA WITH REEL PACKAGING
REFERENCE ONLY



[FOR REFERENCE] DA PACKAGE

NOTES.

1. UNLESS OTHERWISE SPECIFIED TOLERANCE PER EIA-481-D

2 ORIENT PARTS AS SHOWN.

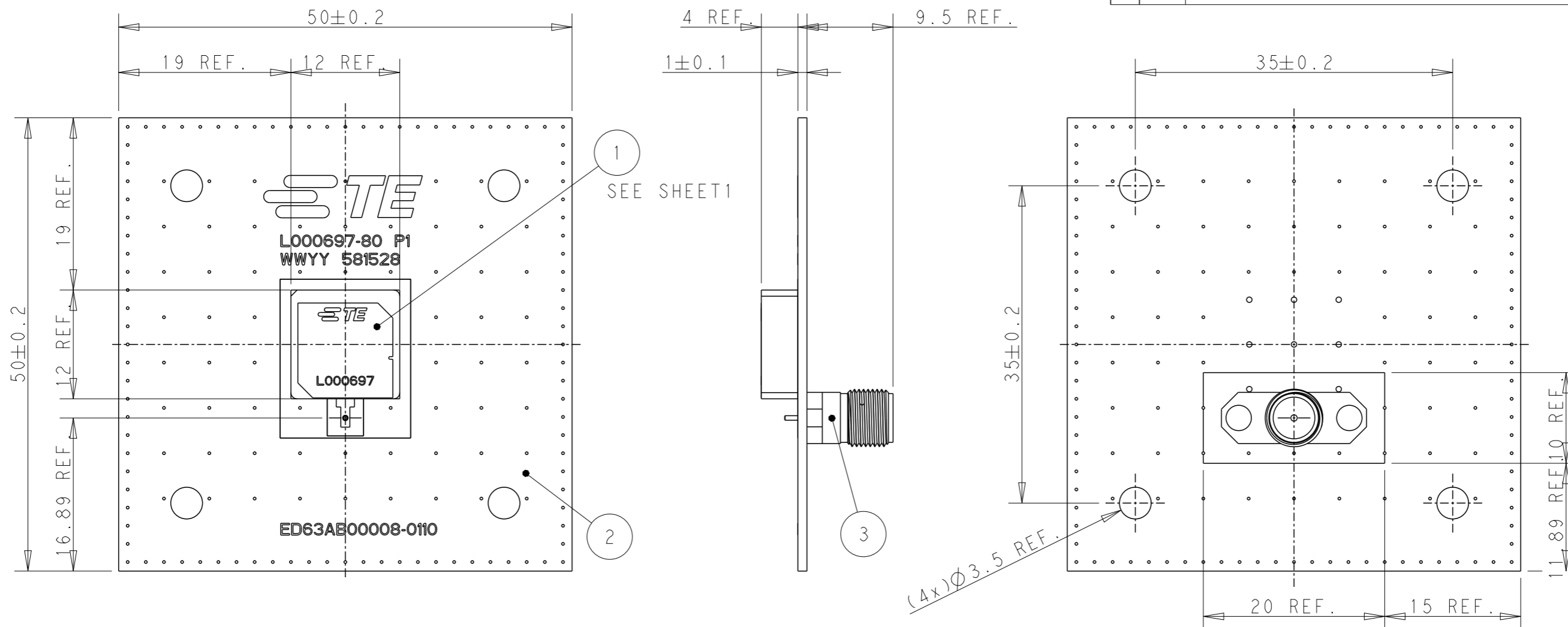
3 MATERIAL : P.S 0.35mm THICKNESS, COLOR : BLACK, CONDUCTIVE
WHEN ALTERNATIVEMATERIAL (PET, P.P) USE, CONSULT ECO PRIOR TO MANUFACTURER.

4. Q'TY/REEL : 500 PCS/REEL

THIS DRAWING IS A CONTROLLED DOCUMENT.		DWN DW.PARK	04JUN2024														
DIMENSIONS: mm		CHK SJ.NOH	04JUN2024														
TOLERANCES UNLESS OTHERWISE SPECIFIED:		APVD Ng.WEITAT	04JUN2024	NAME Ceramic Patch ant, 2400-2500MHz, 12x12x4													
<table border="0"> <tr> <td>0 PLC</td> <td>±-</td> </tr> <tr> <td>1 PLC</td> <td>±-</td> </tr> <tr> <td>2 PLC</td> <td>±-</td> </tr> <tr> <td>3 PLC</td> <td>±-</td> </tr> <tr> <td>4 PLC</td> <td>±-</td> </tr> <tr> <td>ANGLES</td> <td>±-</td> </tr> </table>		0 PLC	±-	1 PLC	±-	2 PLC	±-	3 PLC	±-	4 PLC	±-	ANGLES	±-	PRODUCT SPEC 108-160936	APPLICATION SPEC -		RESTRICTED TO -
0 PLC	±-																
1 PLC	±-																
2 PLC	±-																
3 PLC	±-																
4 PLC	±-																
ANGLES	±-																
MATERIAL SEE NOTE 3		WEIGHT -	SIZE A3		CAGE CODE 00779												
-		DRAWING NO L000697		SCALE 2:1													
-		CUSTOMER DRAWING		SHEET 2 OF 4													
-		-		REV A													

P	LTR	DESCRIPTION	DATE	DWN	APVD
		SEE SHEET 1			

ANTENNA WITH EVB ASS'Y



NOTES: UNLESS OTHERWISE SPECIFIED.

- 1. MATERIAL : SEE TABLE.
- 2. FINISH : EVB ASSEMBLY WITH SOLDER PROCESS

3. SILKSCREEN : WHITE EPOXY INK
 A. TE LOGO, TE P/N
 B. WORD REV., FOLLOWED BY THE LATEST REVISION, AS SHOWN/
 C. 4 DIGITS DATE CODE : FIRST 2 DIGITS FOR THE WEEK CODE AND THE 2ND TWO DIGITS FOR THE YEAR CODE.
 OTHERS : SPECIFIED TE SOURCE CODE NUMBER DIGITS AS REQUIRED.

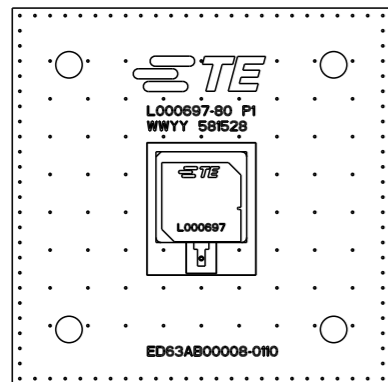
- 4. CONSULTS TE CONNECTIVITY DATA SHEET L000697
- 5. CONTACT TE CONNECTIVITY ENGINEERING PRIOR TO DESIGNING INTO AN APPLICATION.
- 6. PACKAGING: SECURELY VACUUM PACKAGED IN BULK.

VACUUM IN BULK	L000697-80	
PACKAGING	PART NUMBER	
1	SMA FEMALE CONNECTOR	3
1	EVB	2
1	L000696-01 ANTENNA	1
Q'TY (PC)	DESCRIPTION	ITEM

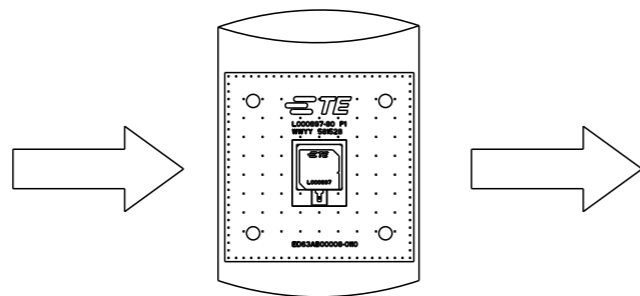
THIS DRAWING IS A CONTROLLED DOCUMENT.		DWN DW.PARK 04JUN2024	TE Connectivity NAME Ceramic Patch ant, 2400-2500MHz, 12x12x4 -	
DIMENSIONS: mm		CHK SJ.NOH 04JUN2024		
TOLERANCES UNLESS OTHERWISE SPECIFIED:		APVD Ng.WEITAT 04JUN2024		
0 PLC ±- 1 PLC ±- 2 PLC ±- 3 PLC ±- 4 PLC ±- ANGLES ±-		PRODUCT SPEC 108-160936		
MATERIAL SEE NOTE 1		APPLICATION SPEC -	SIZE A3	CAGE CODE 00779
FINISH -		WEIGHT -	DRAWING NO C=L000697	RESTRICTED TO -
-		CUSTOMER DRAWING	SCALE 2:1	SHEET 3 OF 4 REV A

P	LTR	DESCRIPTION	DATE	DWN	APVD
		SEE SHEET 1			

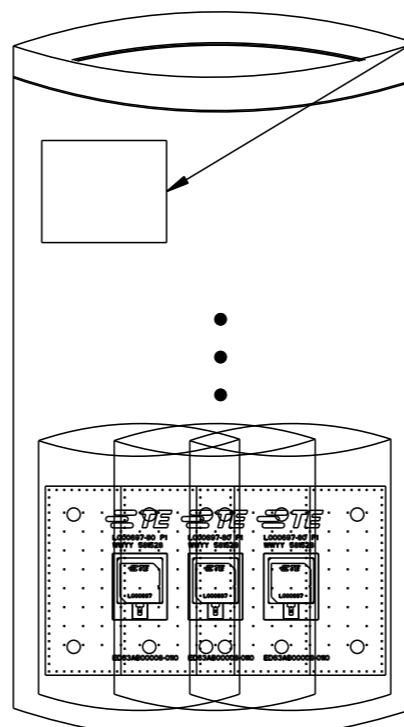
PACKAGING SPECIFICATIONS FOR REFERENCE



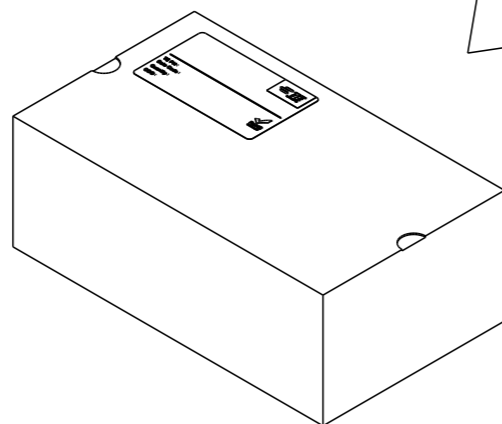
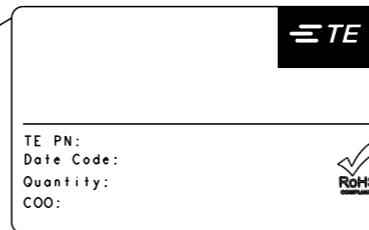
ANTENNA WITH EVB ASS'Y



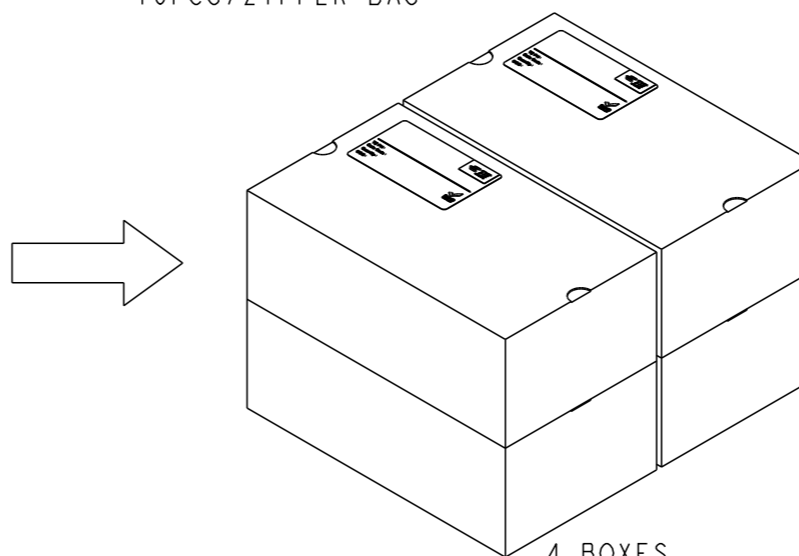
IPC/BAG
DRYING AGENT : IPC/BAG



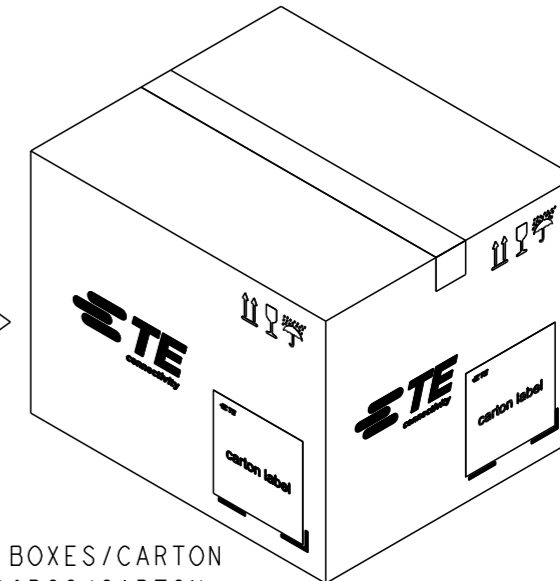
10PCS/ZIPPER BAG



4 ZIPPER BAGS/BOX
40PCS/BOX
BOX SIZE : 154x263x96(MM)



4 BOXES



4 BOXES/CARTON
160PCS/CARTON
SIZE : 330x280x254(MM)

THIS DRAWING IS A CONTROLLED DOCUMENT.

DIMENSIONS: mm		TOLERANCES UNLESS OTHERWISE SPECIFIED:	
		0 PLC	±-
		1 PLC	±-
		2 PLC	±-
		3 PLC	±-
		4 PLC	±-
MATERIAL		ANGLES	±-
		FINISH	

DWN	DW.PARK	04JUN2024
CHK	SJ.NOH	04JUN2024
APVD	Ng.WEITAT	04JUN2024
PRODUCT SPEC	108-160936	
APPLICATION SPEC	-	
WEIGHT	-	
CUSTOMER DRAWING		

		TE Connectivity	
		NAME Ceramic Patch ant, 2400-2500MHz, 12x12x4	
SIZE	CAGE CODE	DRAWING NO	RESTRICTED TO
A3	00779	C=L000697	-
SCALE 1:1		SHEET 4 OF 4	REV A

X-ON Electronics

Largest Supplier of Electrical and Electronic Components

Click to view similar products for [Antennas](#) category:

Click to view products by [TE Connectivity](#) manufacturer:

Other Similar products are found below :

[930-033-R](#) [EXE902SM](#) [108-00014-50](#) [66089-2406](#) [A09-F8NF-M](#) [A09-F5NF-M](#) [RGFRA1903041A1T](#) [W1049B090](#) [TRABT1560](#)
[WTL2449CQ1-FRSMM](#) [CPL9C](#) [CB27S](#) [0600-00060](#) [Y4503](#) [PAL90209H-FNF](#) [GD53-25](#) [MAF94051](#) [S9025PLSMF](#) [QWFTB120](#)
[MAF94300](#) [FG4403](#) [BB1442NR](#) [GPSCPMM00](#) [ANTDOM-05-01-WPM](#) [ANT-WP868SMA-Y](#) [EXW30BNX](#) [S4908WBFNM](#) [B4305CN](#)
[C27](#) [C27S](#) [CBNC58](#) [EXH160MXI](#) [EXH160SFK](#) [EXC902SM](#) [CB27](#) [ABFT](#) [BB4502NR](#) [B4502N](#) [S4908WBFNF](#) [NMOQ88C](#) [NMOQB](#)
[NMOQC](#) [ANT-GSMGPSPUKS](#) [60210](#) [60140](#) [ANT-8WPIG-UFL](#) [ANT-GPSPUKS](#) [A21H0](#) [29000863](#) [29000848](#)