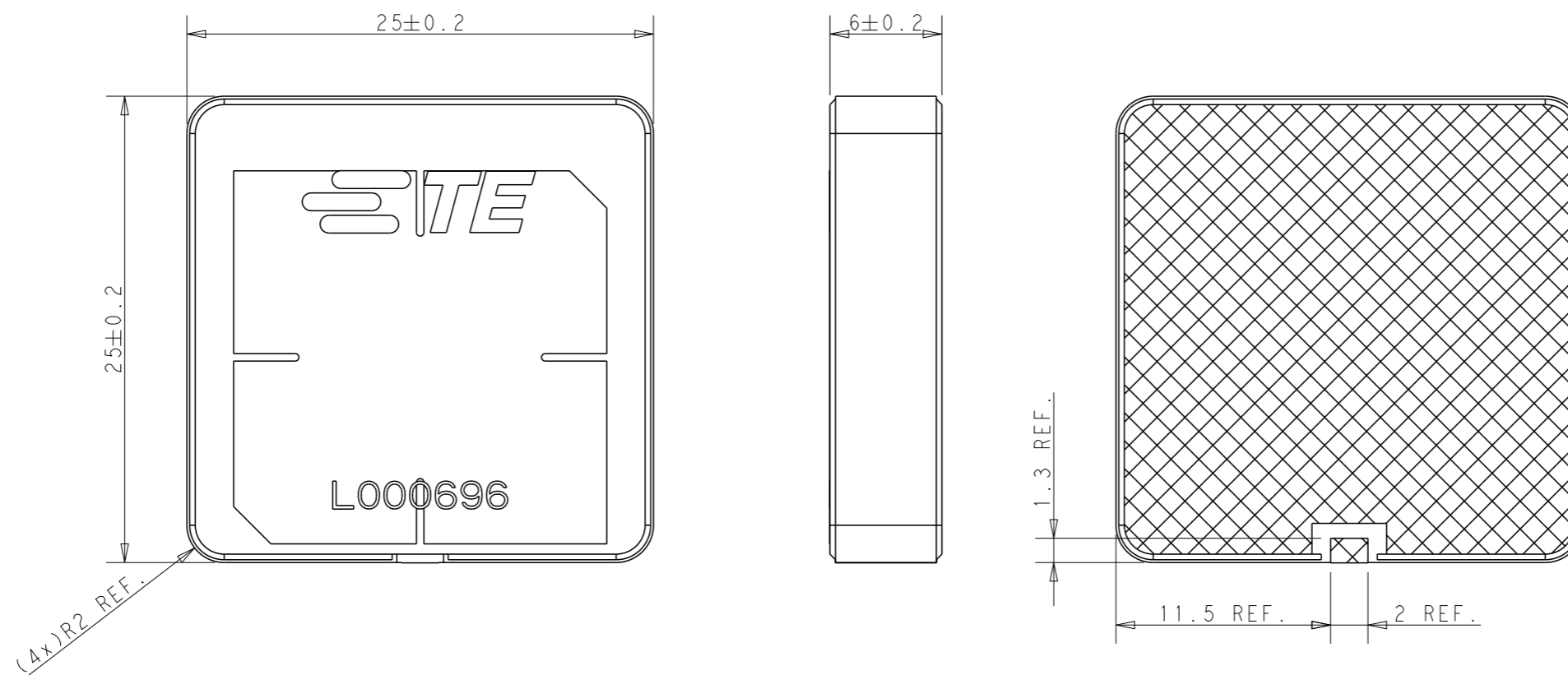


REVISIONS



P	LTR	DESCRIPTION	DATE	DWN	APVD
	A	REVISED PER ECN-24-287453	07OCT2024	DW	VK



NOTES: UNLESS OTHERWISE SPECIFIED.

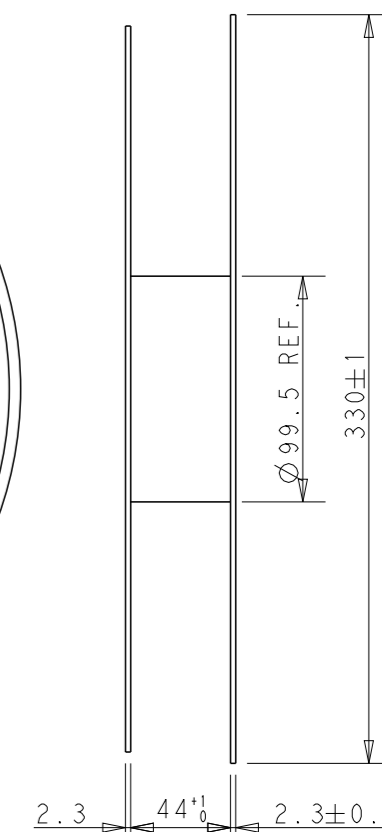
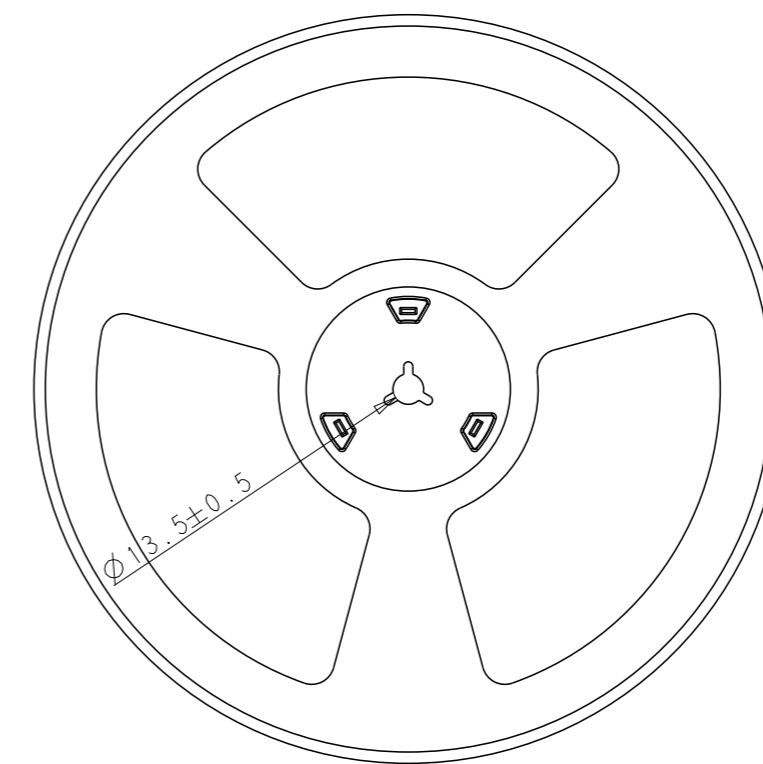
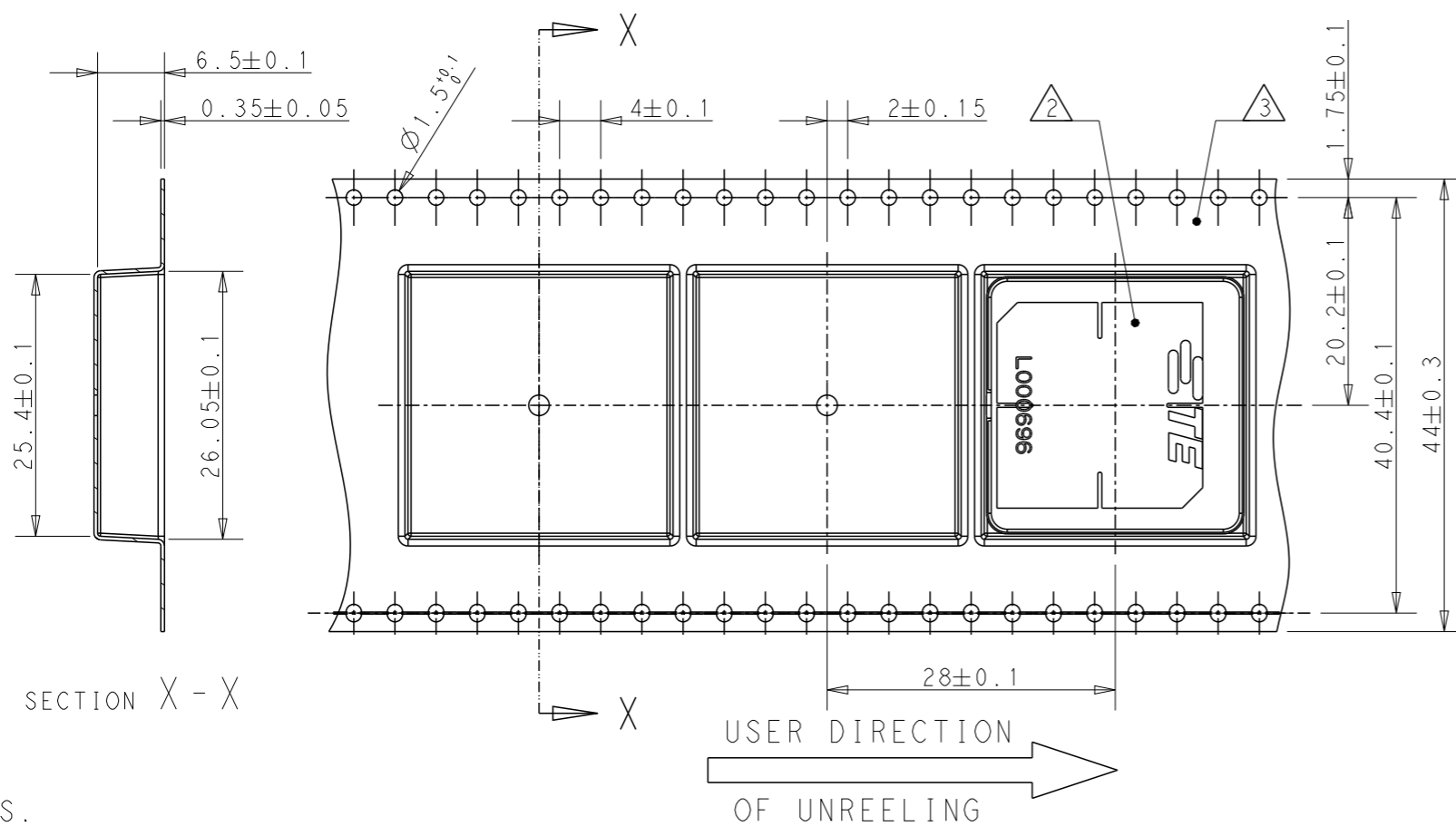
1. MATERIAL : CERAMIC
2. CONSULT TE CONNECTIVITY DATA SHEET : L000696
3. CONTACT TE CONNECTIVITY ENGINEERING PRIOR TO DESIGNIN INTO AN APPLICATION.
4. PACKAGING : TAPE AND REEL PACKAGED, SEE SHEET 2

TAPE AND REELED	L000696-01
PACKAGING	PART NUMBER

THIS DRAWING IS A CONTROLLED DOCUMENT.		DWN DW.PARK	25JAN2024	 TE Connectivity NAME Ceramic Patch ant, 1561-1602MHz, 25x25x6		
DIMENSIONS: mm		CHK SJ.NOH	25JAN2024			
		APVD JH.KIM	25JAN2024			
TOLERANCES UNLESS OTHERWISE SPECIFIED:		PRODUCT SPEC				
0 PLC ±- 1 PLC ±- 2 PLC ±- 3 PLC ±- 4 PLC ±- ANGLES ±-		APPLICATION SPEC		SIZE	CAGE CODE	
MATERIAL SEE NOTE 1		FINISH		DRAWING NO		RESTRICTED TO
-		-		A300779		©-L000696
-		-		CUSTOMER DRAWING		SCALE 3:1 SHEET 1 OF 4 REV A

P	LTR	DESCRIPTION	DATE	DWN	APVD
		SEE SHEET 1			

ANTENNA WITH REEL PACKAGING
REFERENCE ONLY




NOTES.

1. UNLESS OTHERWISE SPECIFIED TOLERANCE PER EIA-481-D

2 ORIENT PARTS AS SHOWN.

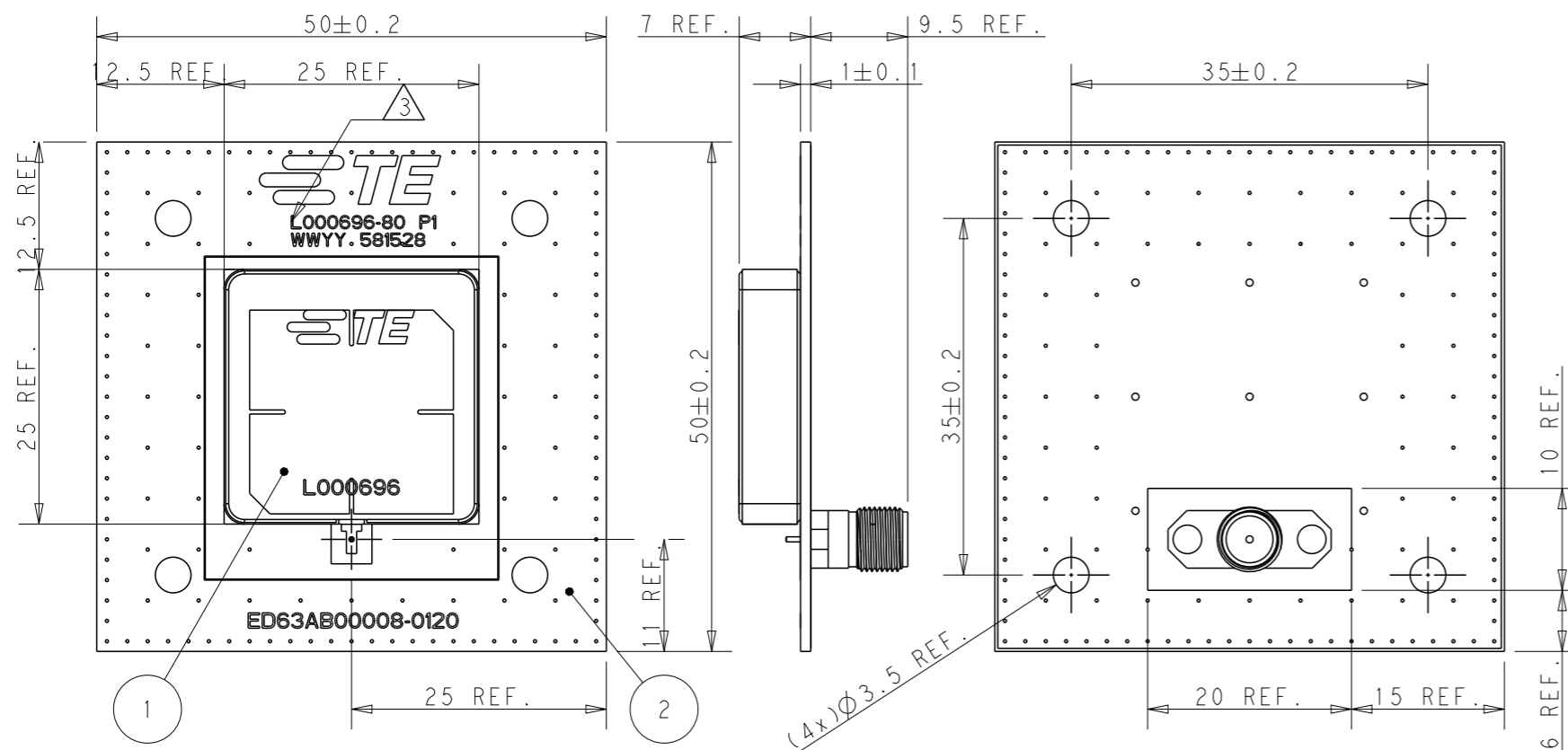
3 MATERIAL : P.S 0.35mm THICKNESS, COLOR : BLACK, CONDUCTIVE
WHEN ALTERNATIVEMATERIAL (PET, P.P) USE, CONSULT ECO PRIOR TO MANUFACTURER.

4. Q'TY/REEL : 150PCS/REEL

THIS DRAWING IS A CONTROLLED DOCUMENT.		DWN DW.PARK	25JAN2024	 TE Connectivity NAME Ceramic Patch ant, 1561-1602MHz, 25x25x6	
DIMENSIONS: mm		CHK SJ.NOH	25JAN2024		
TOLERANCES UNLESS OTHERWISE SPECIFIED:		APVD JH.KIM	25JAN2024		
0 PLC ±- 1 PLC ±- 2 PLC ±- 3 PLC ±- 4 PLC ±- ANGLES ±- FINISH -		PRODUCT SPEC	-		
MATERIAL SEE NOTE 3		APPLICATION SPEC	-	SIZE	A3
		WEIGHT	-	CAGE CODE	00779
		CUSTOMER DRAWING		DRAWING NO	C=L000696
				RESTRICTED TO	-
				SCALE	3:2
				SHEET	2 OF 4
				REV	A

P	LTR	DESCRIPTION	DATE	DWN	APVD
		SEE SHEET 1			

ANTENNA WITH EVB ASS'Y



NOTES: UNLESS OTHERWISE SPECIFIED.

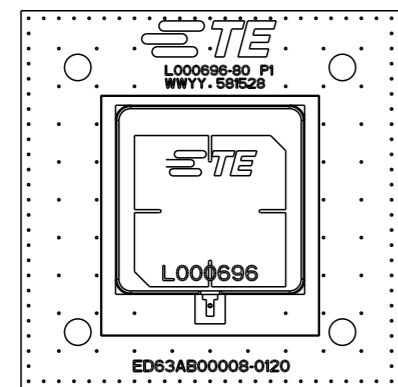
- MATERIAL : SEE TABLE.
- FINISH : EVB ASSEMBLY WITH SOLDER PROCESS
- SILKSCREEN : WHITE EPOXY INK
 A. TE LOGO, TE P/N
 B. WORD REV., FOLLOWED BY THE LATEST REVISION, AS SHOWN/
 C. 4 DIGITS DATE CODE : FIRST 2 DIGITS FOR THE WEEK CODE AND THE 2ND TWO DIGITS FOR THE YEAR CODE.
 OTHERS : SPECIFIED TE SOURCE CODE NUMBER DIGITS AS REQUIRED.
- CONSULTS TE CONNECTIVITY DATA SHEET L000696
- CONTACT TE CONNECTIVITY ENGINEERING PRIOR TO DESIGNING INTO AN APPLICATION.
- PACKAGING: SECURELY VACUUM PACKAGED IN BULK (REFER TO SHEET 4)

VACUUM IN BULK		L000696-80
PACKAGING		PART NUMBER
1	SMA FEMALE CONNECTOR	3
1	EVB	2
1	L000696-01 ANTENNA	1
Q'TY (PC)	DESCRIPTION	ITEM

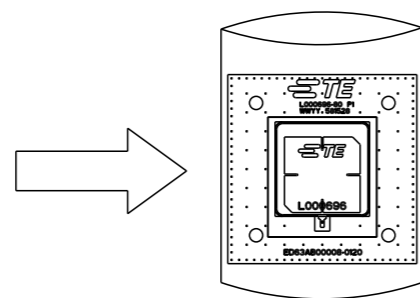
THIS DRAWING IS A CONTROLLED DOCUMENT.		DWN DW.PARK 25JAN2024	TE Connectivity	
DIMENSIONS: mm		CHK SJ.NOH 25JAN2024		
TOLERANCES UNLESS OTHERWISE SPECIFIED:		APVD JH.KIM 25JAN2024	NAME Ceramic Patch ant, 1561-1602MHz, 25x25x6	
0 PLC ±- 1 PLC ±- 2 PLC ±- 3 PLC ±- 4 PLC ±- ANGLES ±-		PRODUCT SPEC -	SIZE A3 CAGE CODE 00779 DRAWING NO C=L000696 RESTRICTED TO -	
MATERIAL SEE NOTE 1		APPLICATION SPEC -	WEIGHT -	
FINISH -		CUSTOMER DRAWING	SCALE 3:2	SHEET 3 OF 4 REV A

P	LTR	DESCRIPTION	DATE	DWN	APVD
		SEE SHEET 1			

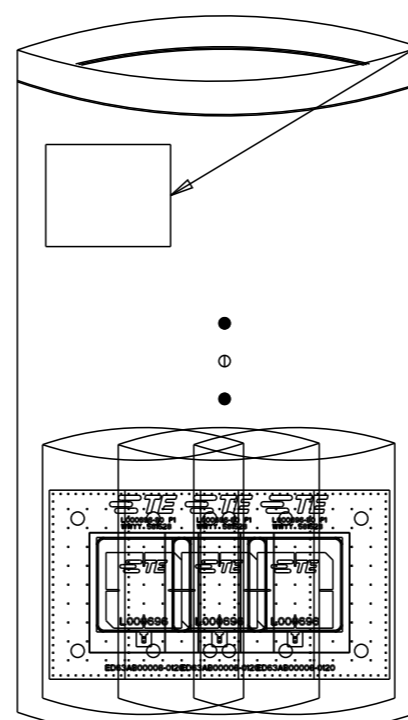
PACKAGING SPECIFICATIONS FOR REFERENCE



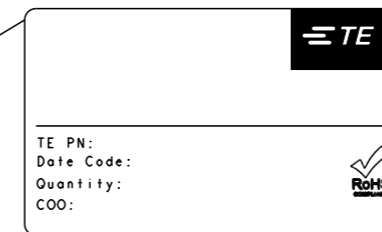
ANTENNA WITH EVB ASS'Y



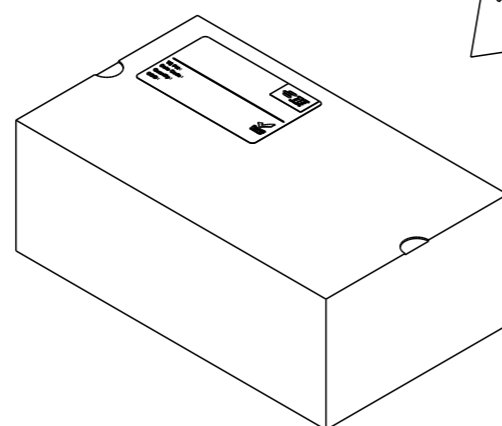
IPC/BAG
DRYING AGENT : IPC/BAG



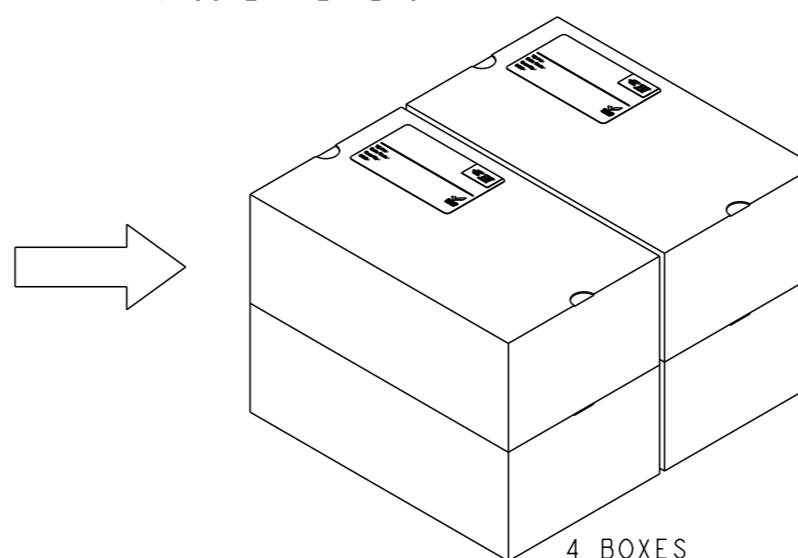
10PCS/ZIPPER BAG



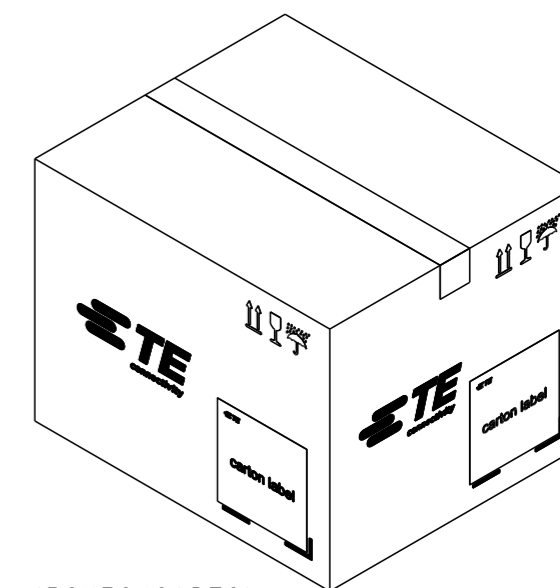
NOTES: IF PO Q'TY LESS THAN 120PCS,
WILL FILL THE OUTSIDE CARTON WITH PAPER (OR BUBBLE WRAP ETC.)
INSTEAD OF THE USING EMPTY BOX



4 ZIPPER BAGS/BOX
40PCS/BOX
BOX SIZE : 154x263x96(MM)



4 BOXES



4BOXES/CARTON
160PCS/CARTON
SIZE : 330x280x254(MM)

THIS DRAWING IS A CONTROLLED DOCUMENT.		DWN DW.PARK	25JAN2024	TE Connectivity NAME Ceramic Patch ant, 1561-1602MHz, 25x25x6	
DIMENSIONS: mm		CHK SJ.NOH	25JAN2024		
TOLERANCES UNLESS OTHERWISE SPECIFIED:		APVD JH.KIM	25JAN2024		
0 PLC ±- 1 PLC ±- 2 PLC ±- 3 PLC ±- 4 PLC ±- ANGLES ±-		PRODUCT SPEC	-		
MATERIAL		APPLICATION SPEC	-	SIZE	A3
		WEIGHT	-	CAGE CODE	00779
		CUSTOMER DRAWING		DRAWING NO	C=L000696
				RESTRICTED TO	-
				SCALE	1:1
				SHEET	4 OF 4
				REV	A

X-ON Electronics

Largest Supplier of Electrical and Electronic Components

Click to view similar products for [Antennas](#) category:

Click to view products by [TE Connectivity](#) manufacturer:

Other Similar products are found below :

[930-033-R](#) [EXE902SM](#) [108-00014-50](#) [66089-2406](#) [A09-F8NF-M](#) [A09-F5NF-M](#) [RGFRA1903041A1T](#) [W1049B090](#) [TRABT1560](#)
[WTL2449CQ1-FRSMM](#) [CPL9C](#) [CB27S](#) [0600-00060](#) [Y4503](#) [PAL90209H-FNF](#) [GD53-25](#) [MAF94051](#) [S9025PLSMF](#) [QWFTB120](#)
[MAF94300](#) [FG4403](#) [BB1442NR](#) [GPSCPMM00](#) [ANTDOM-05-01-WPM](#) [ANT-WP868SMA-Y](#) [EXW30BNX](#) [S4908WBFNM](#) [B4305CN](#)
[C27](#) [C27S](#) [CBNC58](#) [EXH160MXI](#) [EXH160SFK](#) [EXC902SM](#) [CB27](#) [ABFT](#) [BB4502NR](#) [B4502N](#) [S4908WBFNF](#) [NMOQ88C](#) [NMOQB](#)
[NMOQC](#) [ANT-GSMGPSPUKS](#) [60210](#) [60140](#) [ANT-8WPIG-UFL](#) [ANT-GPSPUKS](#) [A21H0](#) [29000863](#) [29000848](#)