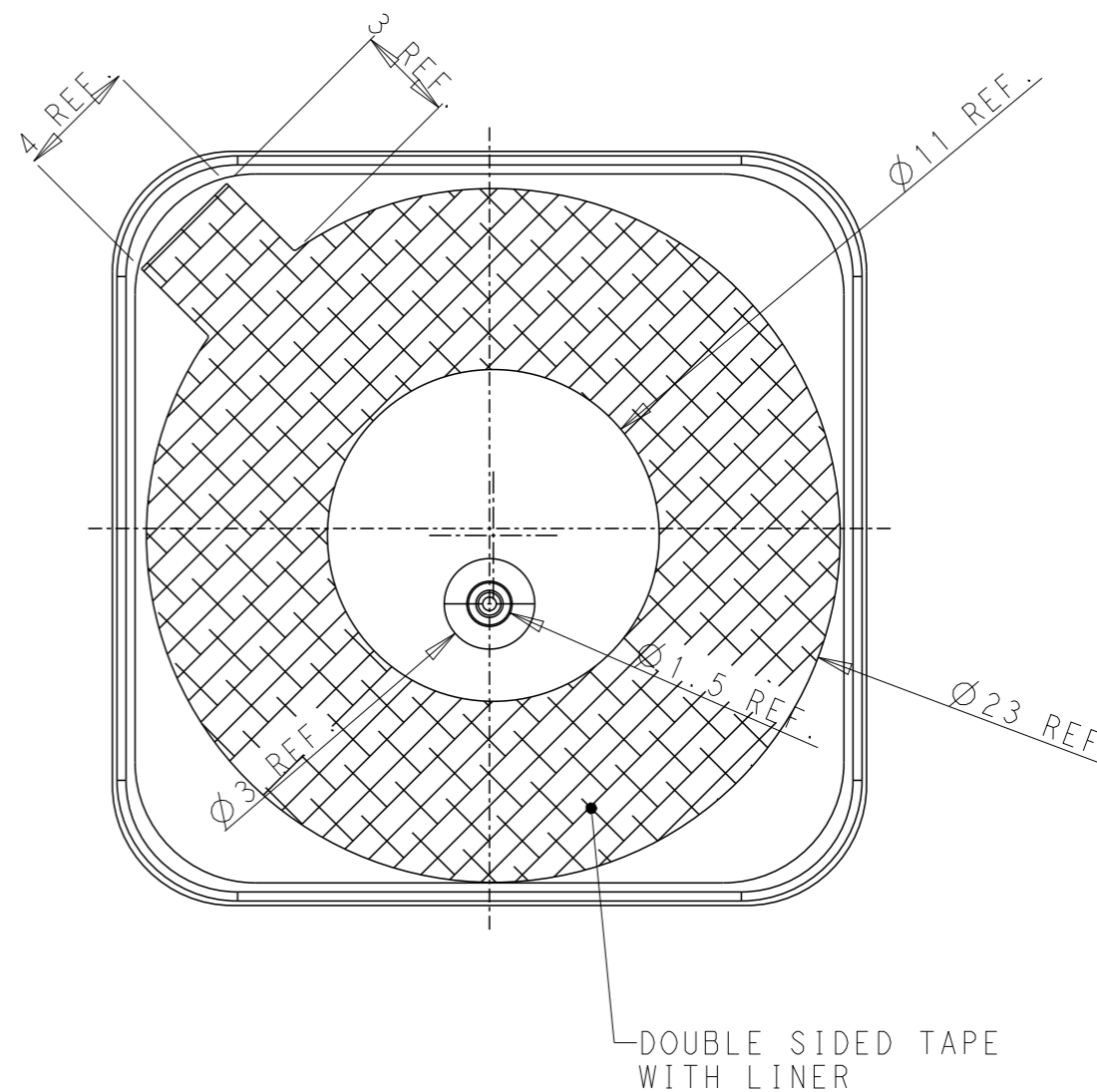
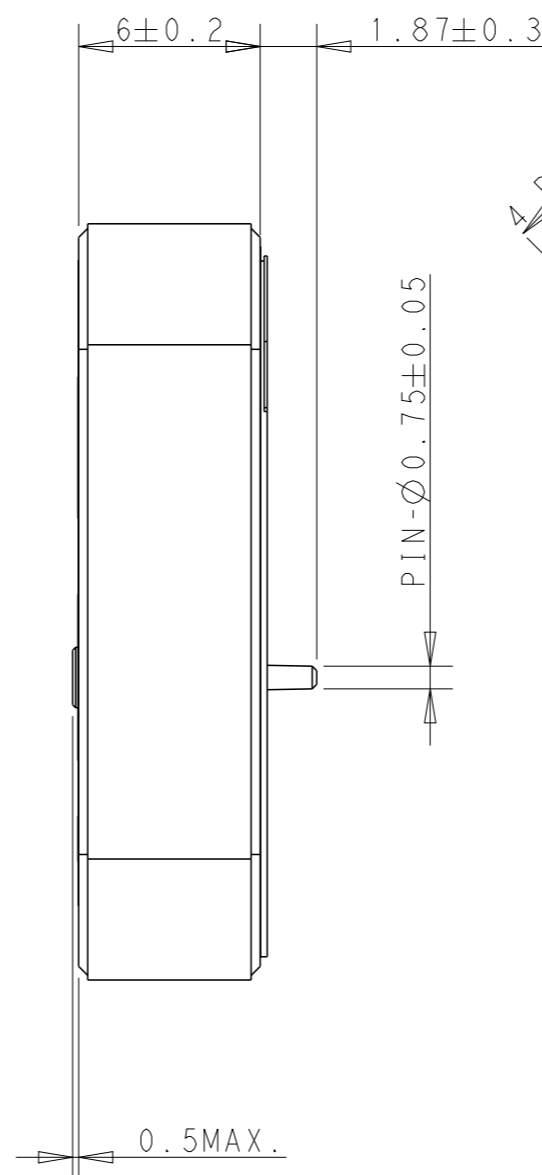
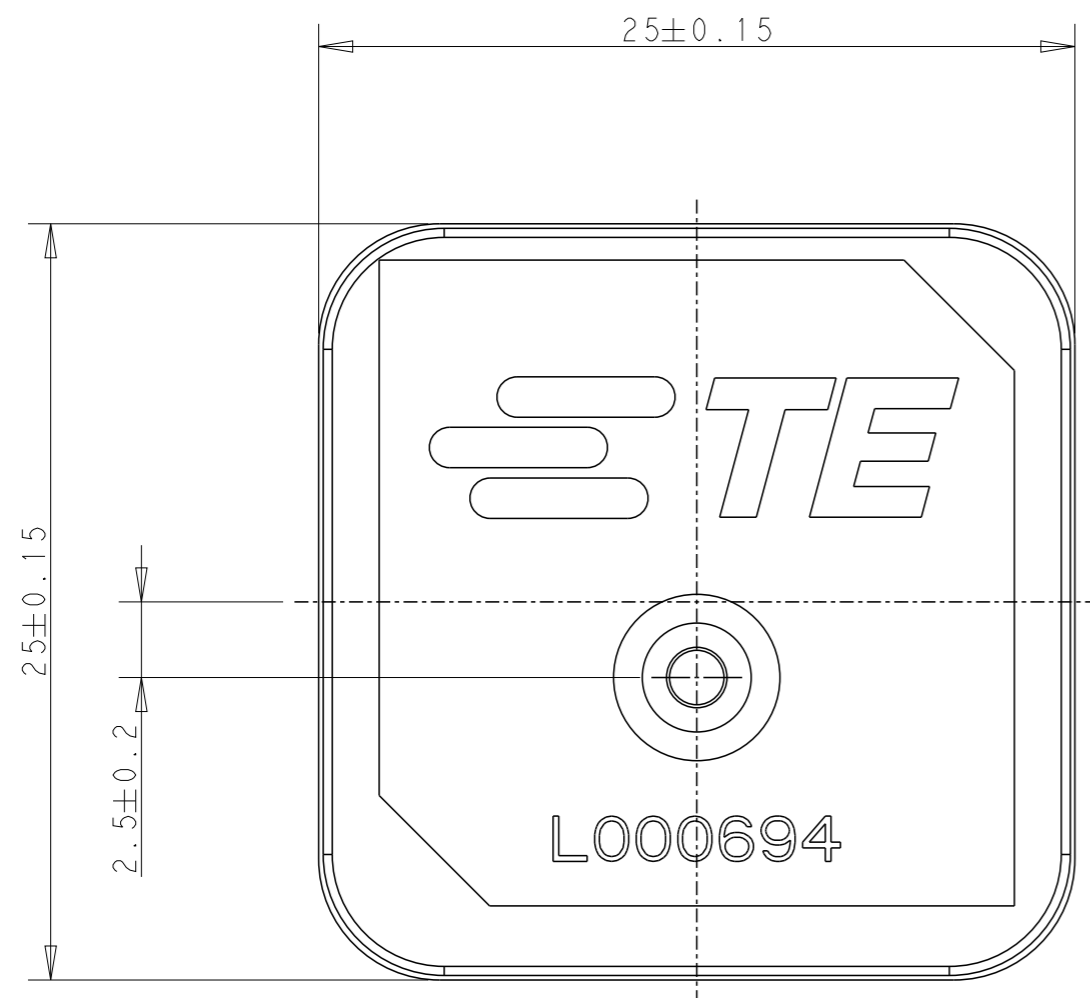


P	LTR	DESCRIPTION	DATE	DWN	APVD
	A	REVISED PER ECN-24-287340	04OCT2024	DW	VK

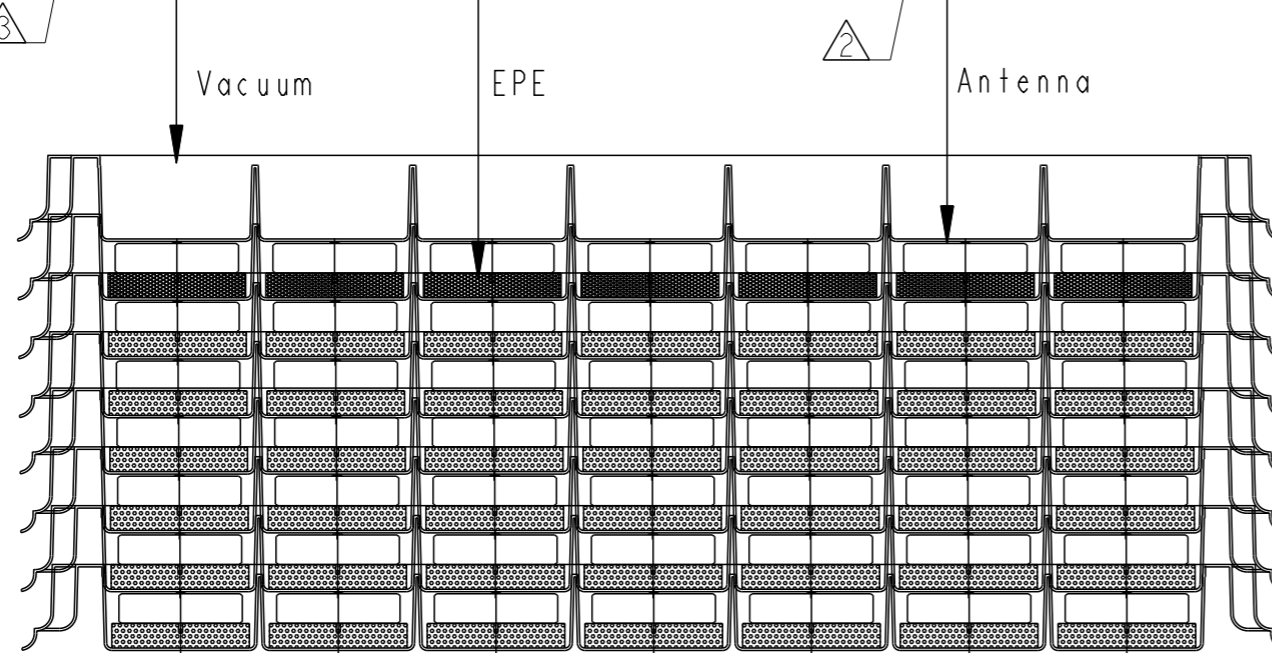
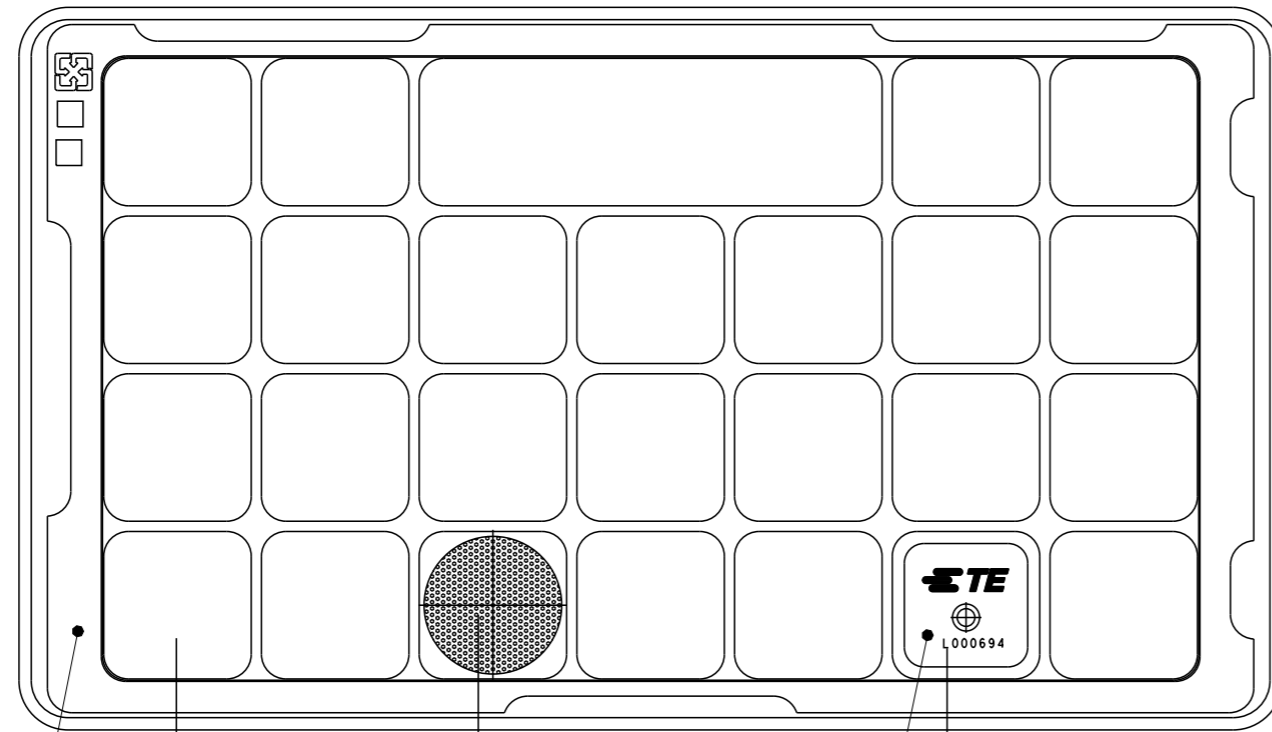


NOTES: UNLESS OTHERWISE SPECIFIED.

1. MATERIAL : CERAMIC
2. CONSULT TE CONNECTIVITY DATA SHEET : L000694
3. CONTACT TE CONNECTIVITY ENGINEERING PRIOR TO DESIGNIN INTO AN APPLICATION.
4. PACKAGING : TRAY PACKAGED, SEE SHEET 2

THIS DRAWING IS A CONTROLLED DOCUMENT.		DWN DW.PARK	08JUL2024												
DIMENSIONS: mm		CHK SJ.NOH	08JUL2024												
TOLERANCES UNLESS OTHERWISE SPECIFIED:		APVD NG.WEITAT	08JUL2024												
<table border="0"> <tr> <td>0 PLC</td> <td>±-</td> </tr> <tr> <td>1 PLC</td> <td>±-</td> </tr> <tr> <td>2 PLC</td> <td>±-</td> </tr> <tr> <td>3 PLC</td> <td>±-</td> </tr> <tr> <td>4 PLC</td> <td>±-</td> </tr> <tr> <td>ANGLES</td> <td>±-</td> </tr> </table>		0 PLC	±-			1 PLC	±-	2 PLC	±-	3 PLC	±-	4 PLC	±-	ANGLES	±-
0 PLC	±-														
1 PLC	±-														
2 PLC	±-														
3 PLC	±-														
4 PLC	±-														
ANGLES	±-														
MATERIAL SEE NOTE 1		FINISH	-	NAME Ceramic Patch ant, 1561-1602MHz, 25x25x6											
-		WEIGHT	-	SIZE	A3										
		CUSTOMER DRAWING		CAGE CODE	00779										
				DRAWING NO	C=L000694										
				RESTRICTED TO	-										
				SCALE	4:1										
				SHEET	1 OF 4										
				REV	A										

P	LTR	DESCRIPTION	DATE	DWN	APVD
		SEE SHEET 1			



AS SHOWN L000694-01  
ANTENNA WITH TRAY PACKAGING  
REFERENCE ONLY

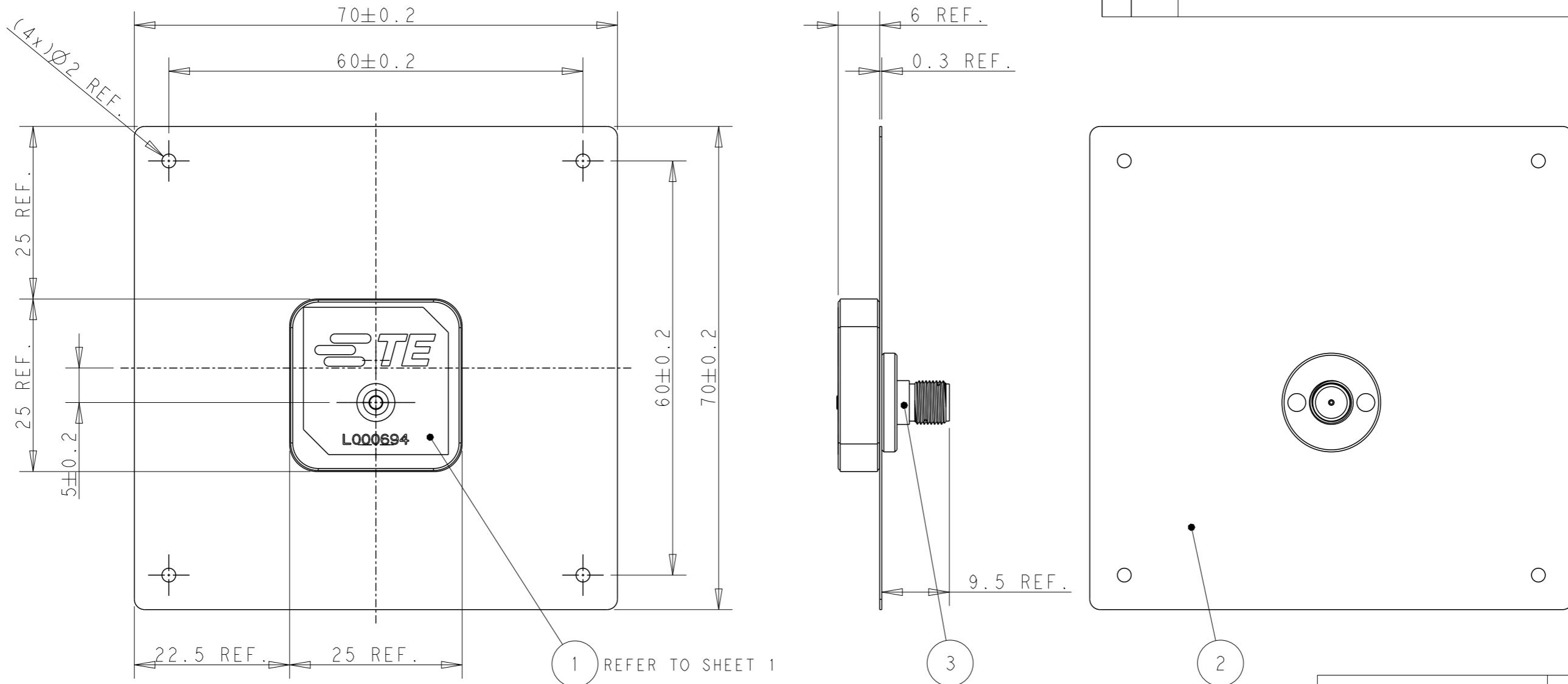
NOTES.

- UNLESS OTHERWISE SPECIFIED TOLERANCE PER EIA-481-D
- ORIENT PARTS AS SHOWN.
- MATERIAL : PP 0.6mm THICKNESS, COLOR : NATURAL. ANTISTATIC  
WHEN ALTERNATIVEMATERIAL USE, CONSULT ECO PRIOR TO MANUFACTURER.
- Q'TY : 25PCS/TRAY

THIS DRAWING IS A CONTROLLED DOCUMENT.		DWN DW.PARK 08JUL2024	TE Connectivity NAME Ceramic Patch ant, 1561-1602MHz, 25x25x6			
DIMENSIONS: mm		CHK SJ.NOH 08JUL2024				
TOLERANCES UNLESS OTHERWISE SPECIFIED:		APVD NG.WEITAT 08JUL2024				
0 PLC ±- 1 PLC ±- 2 PLC ±- 3 PLC ±- 4 PLC ±- ANGLES ±- FINISH -		PRODUCT SPEC -				
MATERIAL SEE NOTE 3		APPLICATION SPEC -	SIZE A3	CAGE CODE 00779	DRAWING NO G-L000694	RESTRICTED TO -
		WEIGHT -	SCALE 2:1		SHEET 2 OF 4	REV A
		CUSTOMER DRAWING				

P	LTR	DESCRIPTION	DATE	DWN	APVD
		SEE SHEET 1			

ANTENNA WITH EVB ASS'Y



NOTES: UNLESS OTHERWISE SPECIFIED.

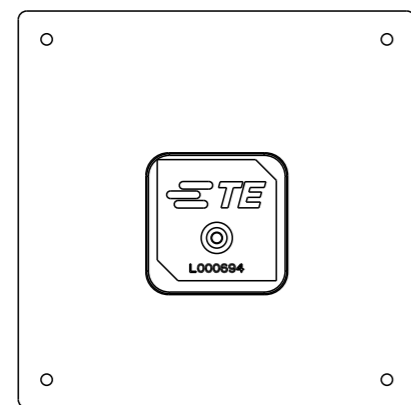
1. MATERIAL : SEE TABLE.
2. FINISH : EVB ASSEMBLY WITH SOLDER PROCESS
3. CONSULTS TE CONNECTIVITY DATA SHEET L000694
4. CONTACT TE CONNECTIVITY ENGINEERING PRIOR TO DESIGNING INTO AN APPLICATION.
5. PACKAGING: SECURELY VACUUM PACKAGED IN BULK.(REFER TO SHEET4)

VACUUM IN BULK		L000694-80
PACKAGING		PART NUMBER
1	SMA FEMALE CONNECTOR	3
1	METAL PLATE	2
1	L000694-01 ANTENNA	1
Q'TY (PC)	DESCRIPTION	ITEM

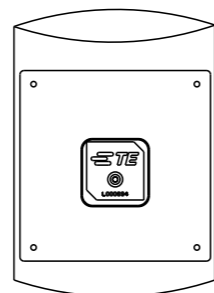
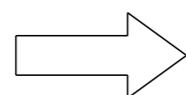
THIS DRAWING IS A CONTROLLED DOCUMENT.		DWN DW.PARK	08JUL2024	TE Connectivity NAME Ceramic Patch ant, 1561-1602MHz, 25x25x6	
DIMENSIONS: mm		CHK SJ.NOH	08JUL2024		
TOLERANCES UNLESS OTHERWISE SPECIFIED:		APVD NG.WEITAT	08JUL2024		
0 PLC ±0.2 1 PLC ±0.2 2 PLC ±0.2 3 PLC ±0.2 4 PLC ±- ANGLES ±-		PRODUCT SPEC	-		
MATERIAL SEE NOTE 1		FINISH	-	APPLICATION SPEC	-
-		WEIGHT	-	SIZE	A3
-		CUSTOMER DRAWING		CAGE CODE	00779
		SCALE		DRAWING NO	C=L000694
		SCALE		RESTRICTED TO	-
		SCALE 2:1		SHEET 3 OF 4	REV A

REVISIONS

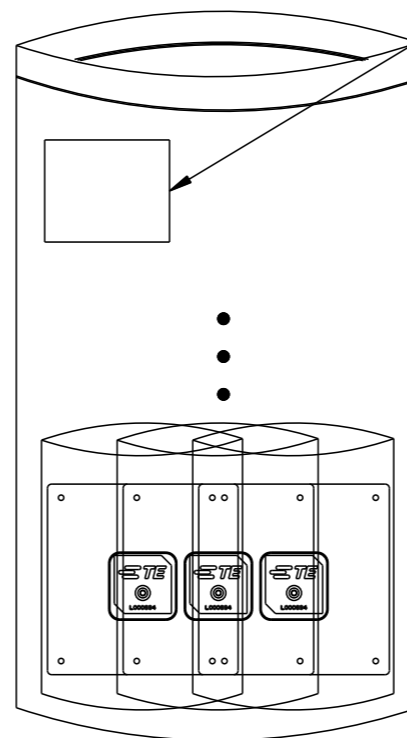
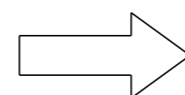
P	LTR	DESCRIPTION	DATE	DWN	APVD
		SEE SHEET 1			



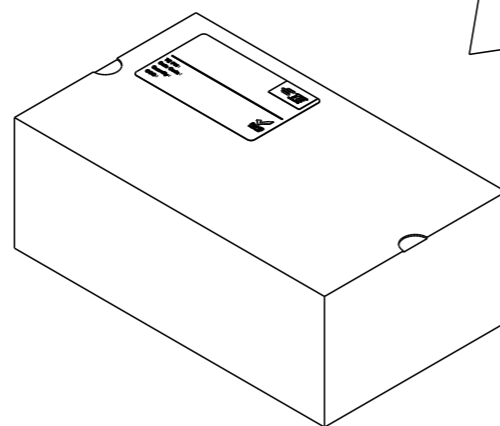
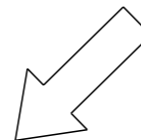
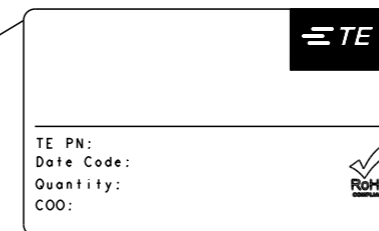
ANTENNA WITH EVB ASS'Y DRYING AGENT : 1PC/BAG



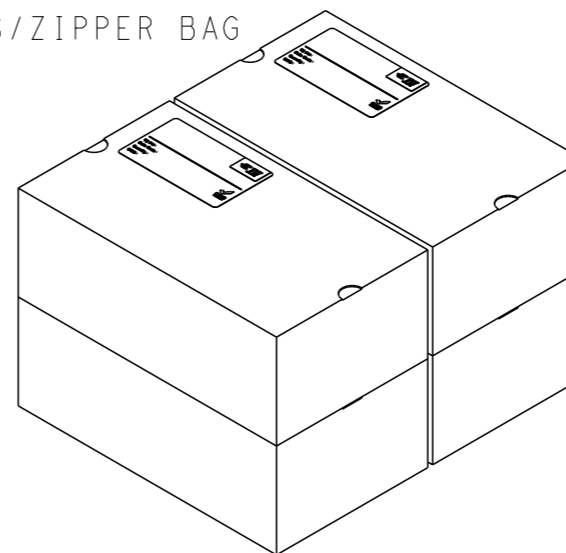
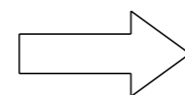
1PC/BAG



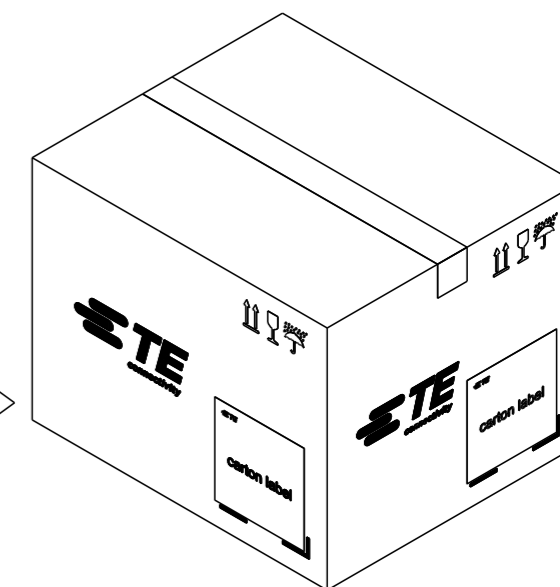
10PCS/ZIPPER BAG



4 ZIPPER BAGS/BOX  
40PCS/BOX  
BOX SIZE : 154x263x96(MM)



4 BOXES



4 BOXES/CARTON  
160PCS/CARTON  
SIZE : 330x280x254(MM)

THIS DRAWING IS A CONTROLLED DOCUMENT.

DIMENSIONS: mm	
MATERIAL	-
	-

TOLERANCES UNLESS OTHERWISE SPECIFIED:	
0 PLC	±-
1 PLC	±-
2 PLC	±-
3 PLC	±-
4 PLC	±-
ANGLES	±-
FINISH	-
	-

DWN	DW.PARK	08JUL2024
CHK	SJ.NOH	08JUL2024
APVD	NG.WEITAT	08JUL2024
PRODUCT SPEC	-	
APPLICATION SPEC	-	
WEIGHT	-	
CUSTOMER DRAWING		

		TE Connectivity	
		NAME Ceramic Patch ant, 1561-1602MHz, 25x25x6	
SIZE	CAGE CODE	DRAWING NO	RESTRICTED TO
A3	00779	C=L000694	-
SCALE		SHEET	REV
2:1		4 OF 4	A

## X-ON Electronics

Largest Supplier of Electrical and Electronic Components

*Click to view similar products for [Antennas](#) category:*

*Click to view products by [TE Connectivity](#) manufacturer:*

Other Similar products are found below :

[930-033-R](#) [EXE902SM](#) [108-00014-50](#) [66089-2406](#) [A09-F8NF-M](#) [A09-F5NF-M](#) [RGFRA1903041A1T](#) [W1049B090](#) [TRABT1560](#)  
[WTL2449CQ1-FRSMM](#) [CPL9C](#) [CB27S](#) [0600-00060](#) [Y4503](#) [PAL90209H-FNF](#) [GD53-25](#) [MAF94051](#) [S9025PLSMF](#) [QWFTB120](#)  
[MAF94300](#) [FG4403](#) [BB1442NR](#) [GPSCPMM00](#) [ANTDOM-05-01-WPM](#) [ANT-WP868SMA-Y](#) [EXW30BNX](#) [S4908WBFNM](#) [B4305CN](#)  
[C27](#) [C27S](#) [CBNC58](#) [EXH160MXI](#) [EXH160SFK](#) [EXC902SM](#) [CB27](#) [ABFT](#) [BB4502NR](#) [B4502N](#) [S4908WBFNF](#) [NMOQ88C](#) [NMOQB](#)  
[NMOQC](#) [ANT-GSMGPSPUKS](#) [60210](#) [60140](#) [ANT-8WPIG-UFL](#) [ANT-GPSPUKS](#) [A21H0](#) [29000863](#) [29000848](#)