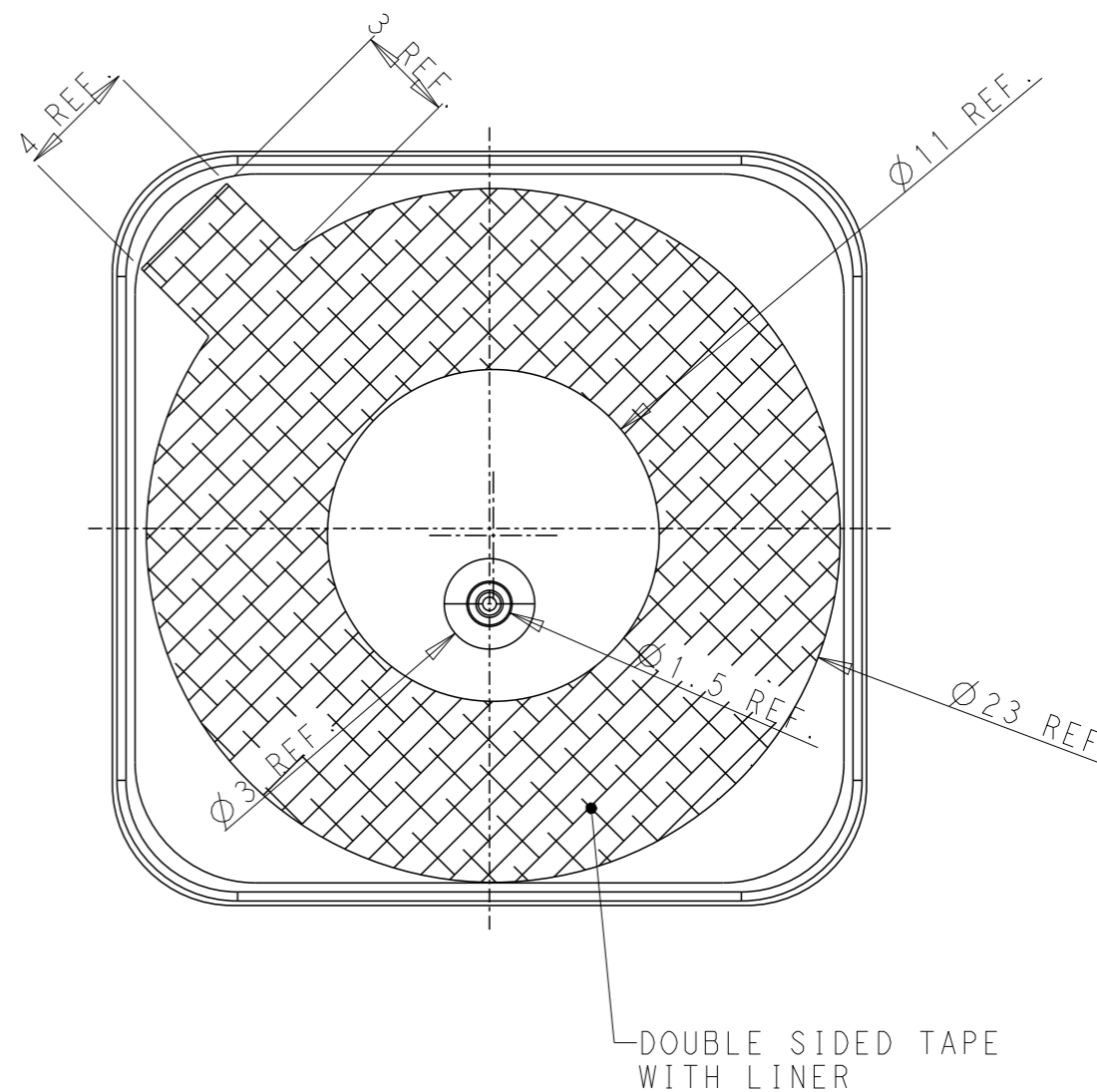
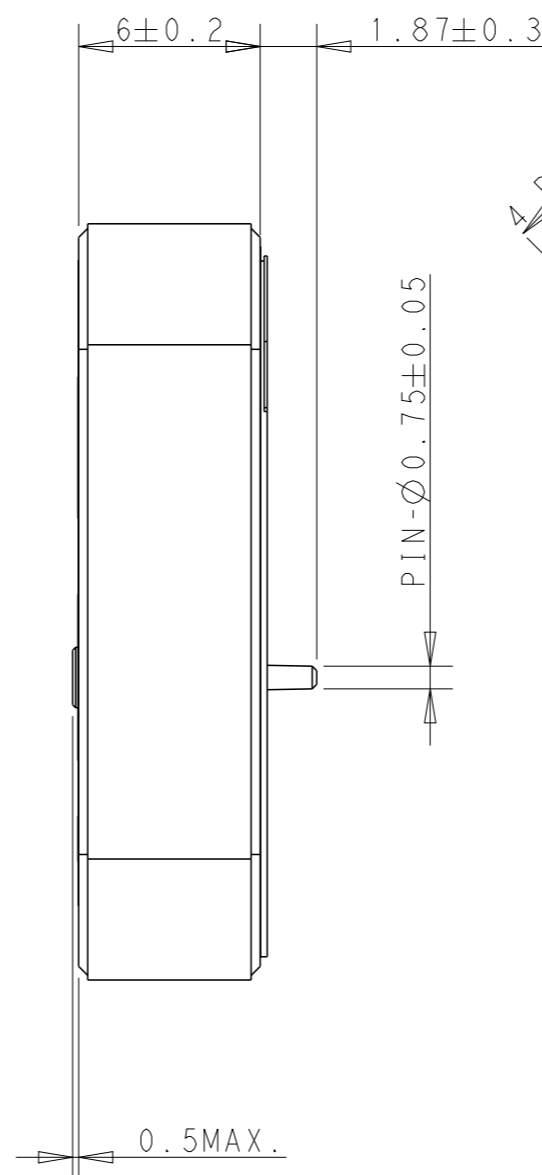
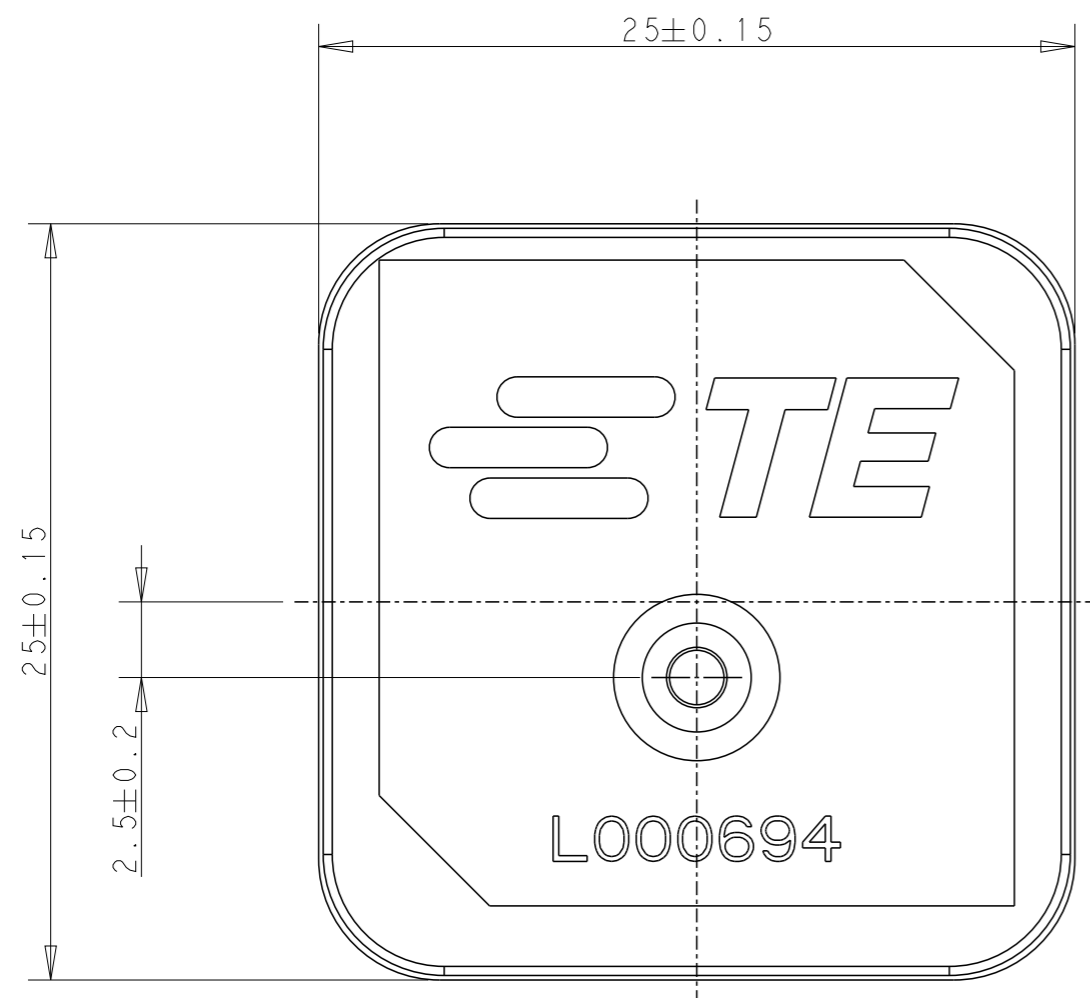


P	LTR	DESCRIPTION	DATE	DWN	APVD
	A	REVISED PER ECN-24-287340	04OCT2024	DW	VK



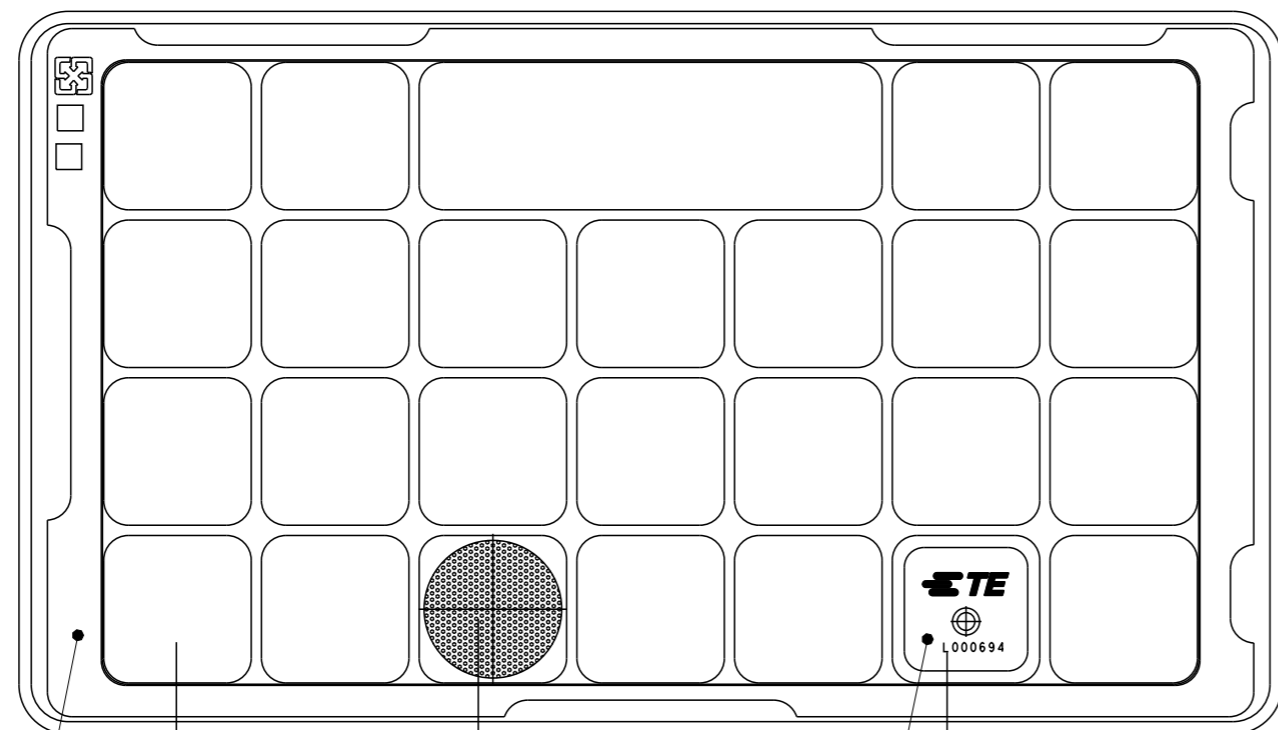
NOTES: UNLESS OTHERWISE SPECIFIED.

1. MATERIAL : CERAMIC
2. CONSULT TE CONNECTIVITY DATA SHEET : L000694
3. CONTACT TE CONNECTIVITY ENGINEERING PRIOR TO DESIGNIN INTO AN APPLICATION.
4. PACKAGING : TRAY PACKAGED, SEE SHEET 2

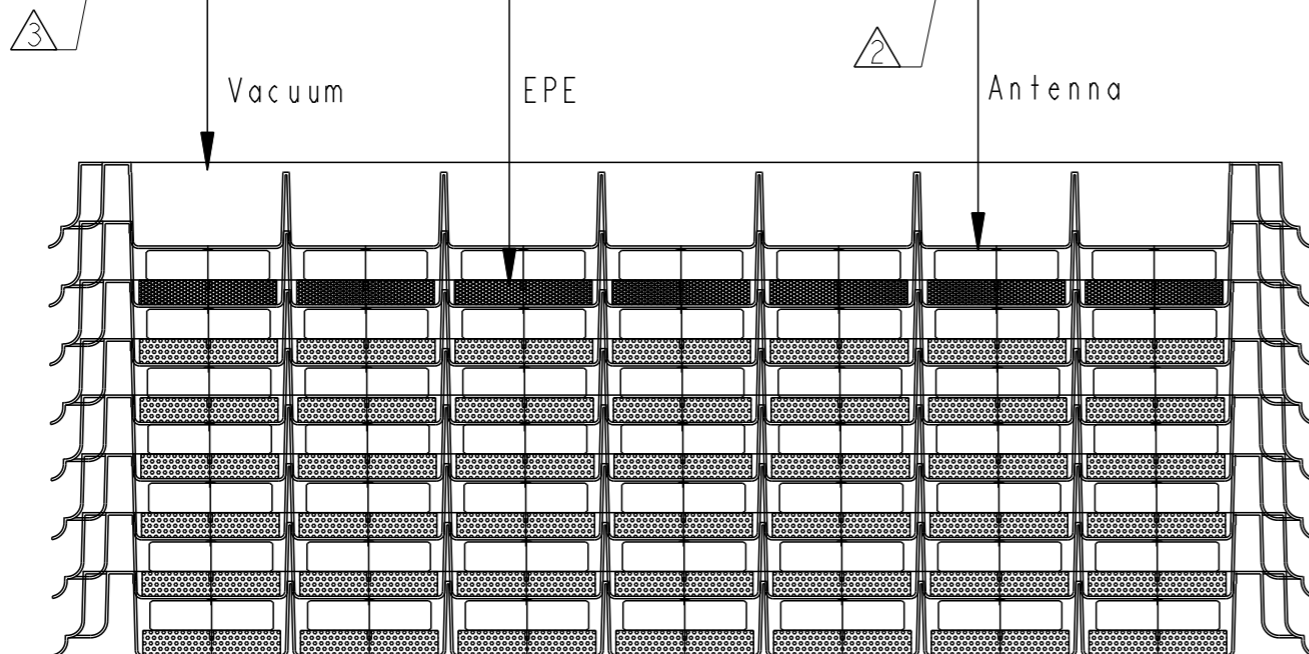
THIS DRAWING IS A CONTROLLED DOCUMENT.		DWN DW.PARK	08JUL2024												
DIMENSIONS: mm		CHK SJ.NOH	08JUL2024												
TOLERANCES UNLESS OTHERWISE SPECIFIED:		APVD NG.WEITAT	08JUL2024												
<table border="0"> <tr> <td>0 PLC</td> <td>±-</td> </tr> <tr> <td>1 PLC</td> <td>±-</td> </tr> <tr> <td>2 PLC</td> <td>±-</td> </tr> <tr> <td>3 PLC</td> <td>±-</td> </tr> <tr> <td>4 PLC</td> <td>±-</td> </tr> <tr> <td>ANGLES</td> <td>±-</td> </tr> </table>		0 PLC	±-			1 PLC	±-	2 PLC	±-	3 PLC	±-	4 PLC	±-	ANGLES	±-
0 PLC	±-														
1 PLC	±-														
2 PLC	±-														
3 PLC	±-														
4 PLC	±-														
ANGLES	±-														
MATERIAL SEE NOTE 1		FINISH		PRODUCT SPEC	-										
-		-		APPLICATION SPEC	-										
-		-		WEIGHT	-										
-		-		SIZE	A3										
-		-		CAGE CODE	00779										
-		-		DRAWING NO	C=L000694										
-		-		RESTRICTED TO	-										
-		-		CUSTOMER DRAWING	SCALE 4:1										
-		-		SHEET	1 OF 4										
-		-		REV	A										

REVISIONS

P	LTR	DESCRIPTION	DATE	DWN	APVD
		SEE SHEET 1			




AS SHOWN L000694-01  
 ANTENNA WITH TRAY PACKAGING  
 REFERENCE ONLY



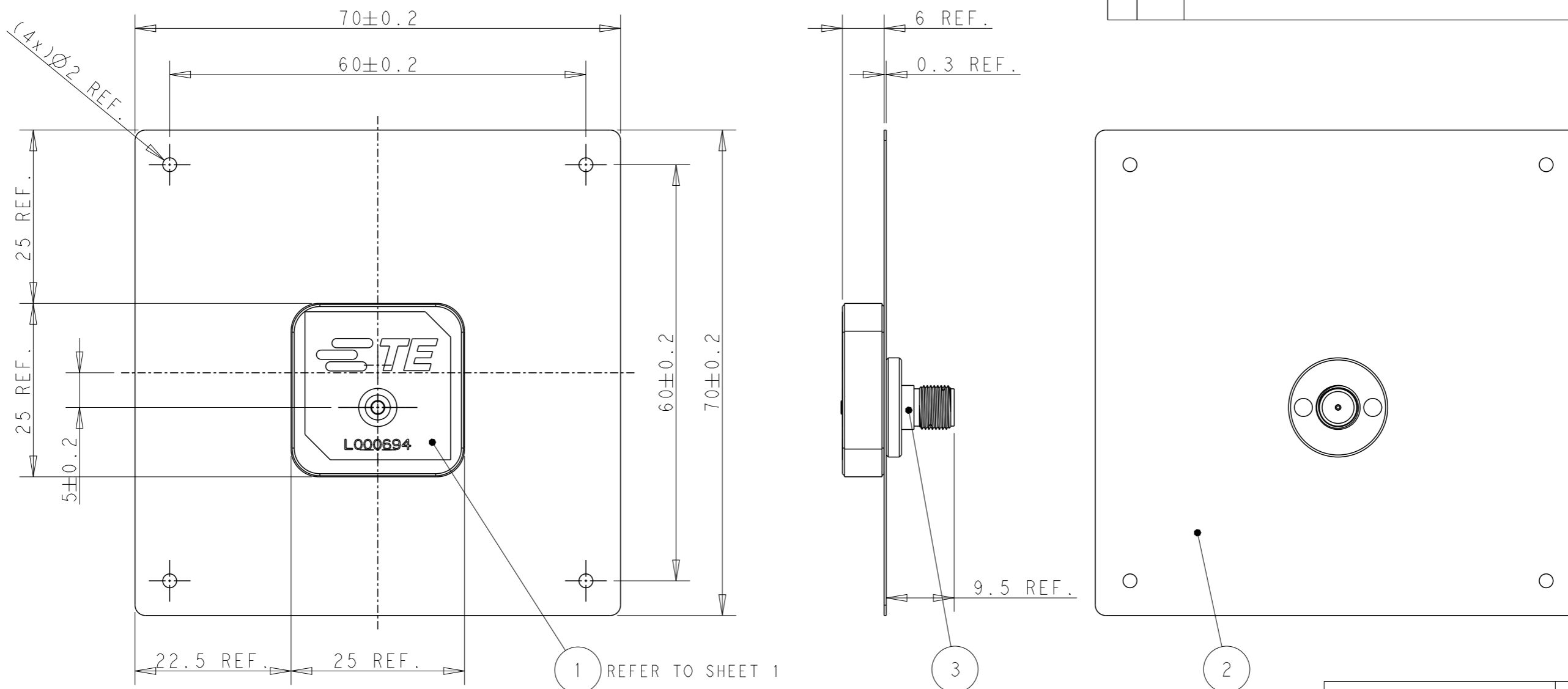
NOTES.

- UNLESS OTHERWISE SPECIFIED TOLERANCE PER EIA-481-D
- ORIENT PARTS AS SHOWN.
- MATERIAL : PP 0.6mm THICKNESS, COLOR : NATURAL. ANTISTATIC  
 WHEN ALTERNATIVEMATERIAL USE, CONSULT ECO PRIOR TO MANUFACTURER.
- Q'TY : 25PCS/TRAY

THIS DRAWING IS A CONTROLLED DOCUMENT.		DWN DW.PARK	08JUL2024	 TE Connectivity NAME Ceramic Patch ant, 1561-1602MHz, 25x25x6	
DIMENSIONS: mm		CHK SJ.NOH	08JUL2024		
TOLERANCES UNLESS OTHERWISE SPECIFIED:		APVD NG.WEITAT	08JUL2024		
0 PLC ±- 1 PLC ±- 2 PLC ±- 3 PLC ±- 4 PLC ±- ANGLES ±- FINISH -		PRODUCT SPEC	-		
MATERIAL SEE NOTE 3		APPLICATION SPEC	-	SIZE	CAGE CODE
		WEIGHT	-	A3	00779
		CUSTOMER DRAWING		DRAWING NO	©-L000694
				RESTRICTED TO	-
				SCALE	2:1
				SHEET	2 OF 4
				REV	A

P	LTR	DESCRIPTION	DATE	DWN	APVD
		SEE SHEET 1			

ANTENNA WITH EVB ASS'Y



NOTES: UNLESS OTHERWISE SPECIFIED.

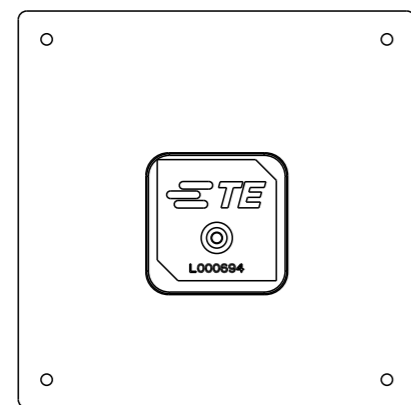
1. MATERIAL : SEE TABLE.
2. FINISH : EVB ASSEMBLY WITH SOLDER PROCESS
3. CONSULTS TE CONNECTIVITY DATA SHEET L000694
4. CONTACT TE CONNECTIVITY ENGINEERING PRIOR TO DESIGNING INTO AN APPLICATION.
5. PACKAGING: SECURELY VACUUM PACKAGED IN BULK.(REFER TO SHEET4)

VACUUM IN BULK		L000694-80
PACKAGING		PART NUMBER
1	SMA FEMALE CONNECTOR	3
1	METAL PLATE	2
1	L000694-01 ANTENNA	1
Q'TY (PC)	DESCRIPTION	ITEM

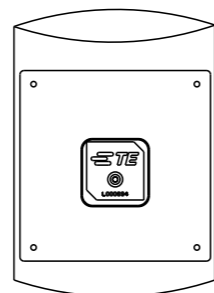
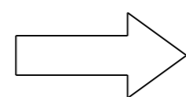
THIS DRAWING IS A CONTROLLED DOCUMENT.		DWN DW.PARK 08JUL2024	TE Connectivity NAME Ceramic Patch ant, 1561-1602MHz, 25x25x6	
DIMENSIONS: mm		CHK SJ.NOH 08JUL2024		
TOLERANCES UNLESS OTHERWISE SPECIFIED:		APVD NG.WEITAT 08JUL2024		
0 PLC $\pm 0.2$ 1 PLC $\pm 0.2$ 2 PLC $\pm 0.2$ 3 PLC $\pm 0.2$ 4 PLC $\pm 0.2$ ANGLES $\pm$ FINISH -		PRODUCT SPEC -		
MATERIAL SEE NOTE 1		APPLICATION SPEC -	SIZE A3	CAGE CODE 00779
-		WEIGHT -	DRAWING NO C=L000694	
-		CUSTOMER DRAWING	SCALE 2:1	SHEET 3 OF 4
				REV A

REVISIONS

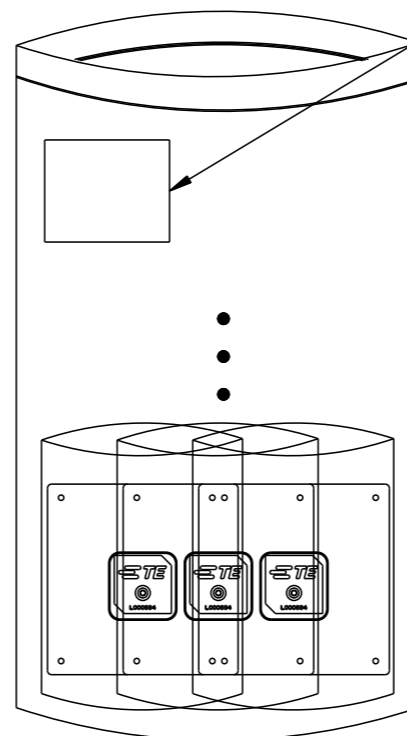
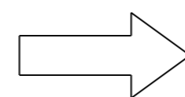
P	LTR	DESCRIPTION	DATE	DWN	APVD
		SEE SHEET 1			



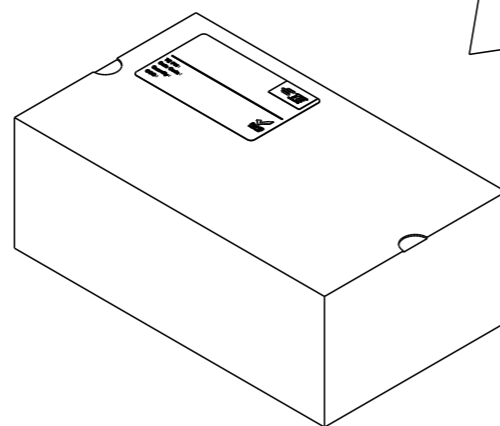
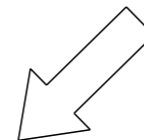
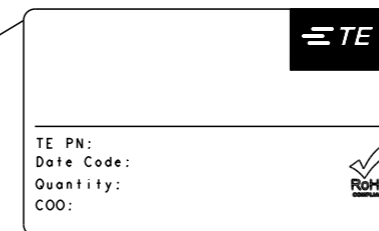
ANTENNA WITH EVB ASS'Y DRYING AGENT : 1PC/BAG



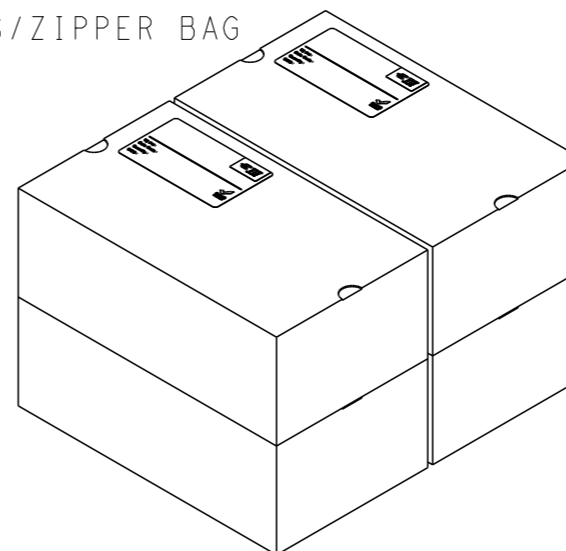
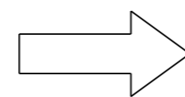
1PC/BAG



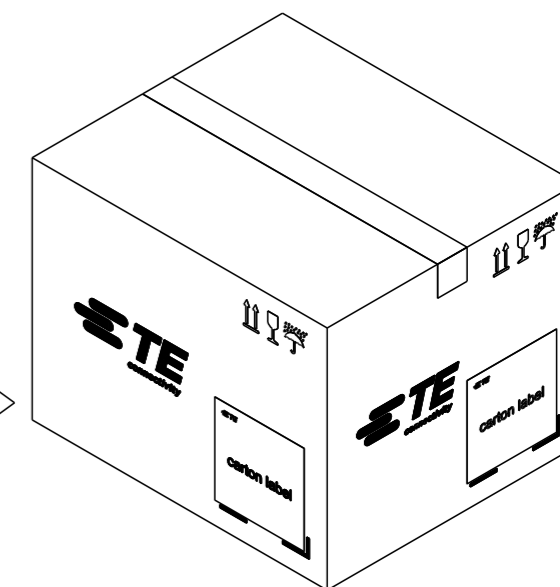
10PCS/ZIPPER BAG



4 ZIPPER BAGS/BOX  
40PCS/BOX  
BOX SIZE : 154x263x96(MM)



4 BOXES



4 BOXES/CARTON  
160PCS/CARTON  
SIZE : 330x280x254(MM)

THIS DRAWING IS A CONTROLLED DOCUMENT.		DWN DW.PARK 08JUL2024	TE Connectivity	
DIMENSIONS: mm		CHK SJ.NOH 08JUL2024		
TOLERANCES UNLESS OTHERWISE SPECIFIED:		APVD NG.WEITAT 08JUL2024	NAME Ceramic Patch ant, 1561-1602MHz, 25x25x6	
0 PLC ±-		PRODUCT SPEC -	SIZE CAGE CODE DRAWING NO RESTRICTED TO	
1 PLC ±-		APPLICATION SPEC -	A300779 C=L000694	
2 PLC ±-		WEIGHT -	SCALE 2:1 SHEET 4 OF 4 REV A	
3 PLC ±-		CUSTOMER DRAWING		
4 PLC ±-				
ANGLES ±-				
MATERIAL -				
FINISH -				

## X-ON Electronics

Largest Supplier of Electrical and Electronic Components

*Click to view similar products for [Antennas](#) category:*

*Click to view products by [TE Connectivity](#) manufacturer:*

Other Similar products are found below :

[930-033-R](#) [108-00014-50](#) [66089-2406](#) [A09-F8NF-M](#) [A09-F5NF-M](#) [RGFRA1903041A1T](#) [W1049B090](#) [WTL2449CQ1-FRSMM](#) [CPL9C](#)  
[0600-00060](#) [PAL90209H-FNF](#) [GD53-25](#) [S9025PLSMF](#) [GPSCPMM00](#) [ANTDOM-05-01-WPM](#) [ANT-WP868SMA-Y](#) [CBNC58](#) [ABFT](#)  
[LP800NMOW](#) [NMOQ88C](#) [NMOQB](#) [NMOQC](#) [ANT-GSMGPSPUKS](#) [60210](#) [60140](#) [ANT-8WPIG-UFL](#) [ANT-GPSPUKS](#) [A21H0](#) [29000863](#)  
[29000848](#) [955179003](#) [RFANT2012090A0T](#) [RGFRA3216110A5T](#) [22100003](#) [DL-T022-2.4G](#) [DL-T023-4G](#) [T1-915M](#) [DL-T021-2.4GW](#) [DL-](#)  
[T021-2.4G](#) [KH-IPEX-1.13](#) [BWGNXCX16-6B1Y2L120](#) [BWGNXCX15-15B1Y4L120](#) [DL-T023-4GW](#) [DL-J020-433M](#) [J008-GSM](#)  
[3N0401LG-021](#) [KHA\(RG1.13\)-TX90B-IPEX](#) [KH-GPS181804-WY](#) [KHA\(RG1.13\)-TX80B-IPEX](#) [TX5800-JZ-5](#)