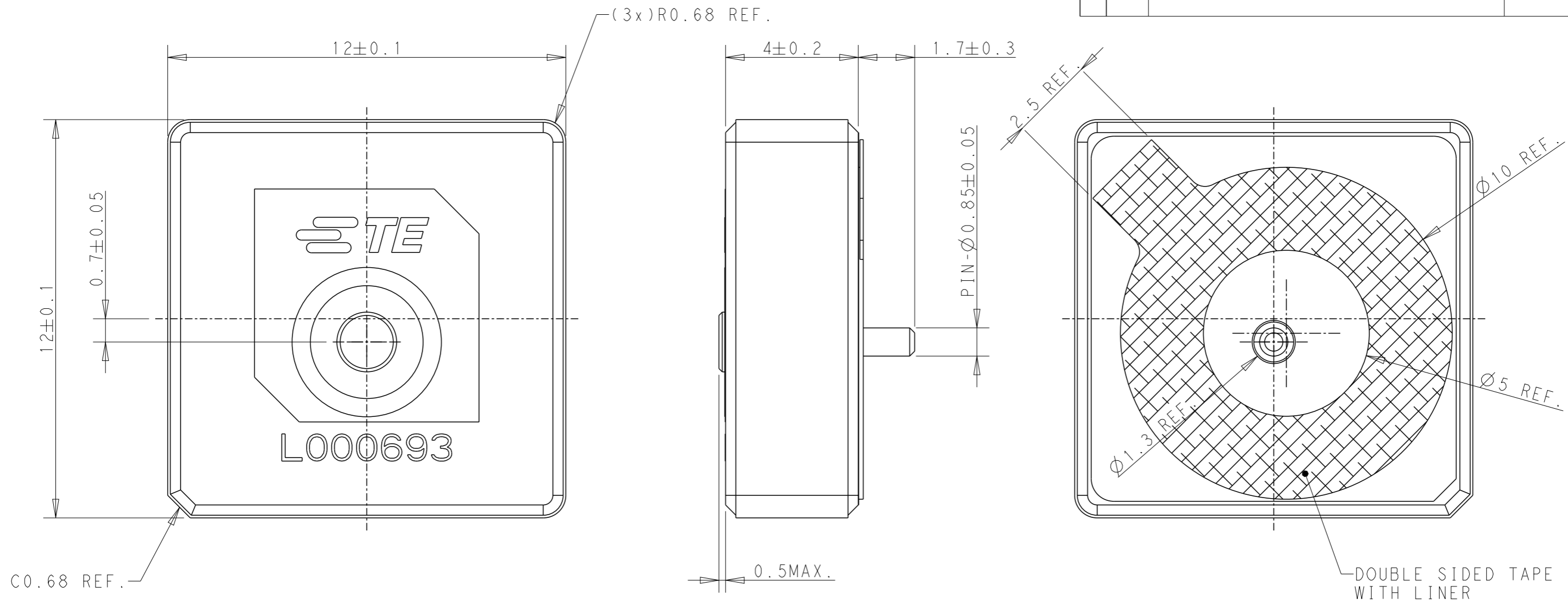


P	LTR	DESCRIPTION	DATE	DWN	APVD
A		REVISED PER ECN-24-287329	04OCT2024	DW	VK

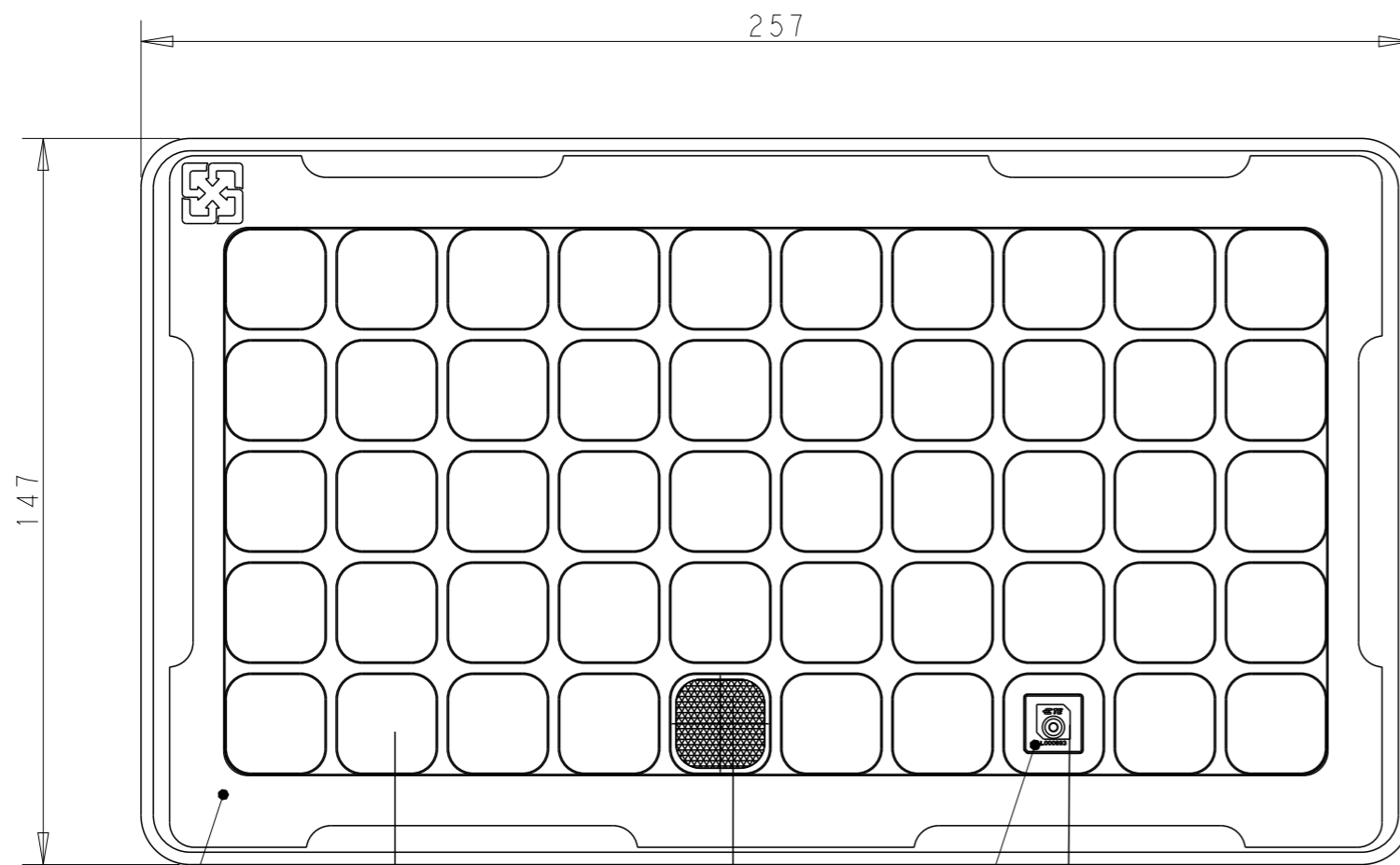


- NOTES: UNLESS OTHERWISE SPECIFIED.
1. MATERIAL : CERAMIC
 2. CONSULT TE CONNECTIVITY DATA SHEET : L000693
 3. CONTACT TE CONNECTIVITY ENGINEERING PRIOR TO DESIGNIN INTO AN APPLICATION.
 4. PACKAGING : TRAY PACKAGED, SEE SHEET 2

TRAY	L000693-01
PACKAGING	PART NUMBER

THIS DRAWING IS A CONTROLLED DOCUMENT.		DWN DW.PARK	09JUL2024														
DIMENSIONS: mm		CHK SJ.NOH	09JUL2024														
		APVD NG.WEITAT	09JUL2024														
TOLERANCES UNLESS OTHERWISE SPECIFIED:		PRODUCT SPEC	-														
<table border="0"> <tr><td>0 PLC</td><td>±-</td></tr> <tr><td>1 PLC</td><td>±-</td></tr> <tr><td>2 PLC</td><td>±-</td></tr> <tr><td>3 PLC</td><td>±-</td></tr> <tr><td>4 PLC</td><td>±-</td></tr> <tr><td>ANGLES</td><td>±-</td></tr> </table>		0 PLC	±-	1 PLC	±-	2 PLC	±-	3 PLC	±-	4 PLC	±-	ANGLES	±-	APPLICATION SPEC	-	NAME Ceramic Patch ant, 5850-5925MHz, 12x12x4	
0 PLC	±-																
1 PLC	±-																
2 PLC	±-																
3 PLC	±-																
4 PLC	±-																
ANGLES	±-																
MATERIAL SEE NOTE 1		FINISH	-	SIZE	A3												
-		WEIGHT	-	CAGE CODE	00779												
-		CUSTOMER DRAWING	-	DRAWING NO	C=L000693												
-		SCALE	1:1	RESTRICTED TO	-												
-		SHEET	1 OF 4	REV	A												

P	LTR	DESCRIPTION	DATE	DWN	APVD
		SEE SHEET 1			



AS SHOWN L000693-01
ANTENNA WITH TRAY PACKAGING
REFERENCE ONLY

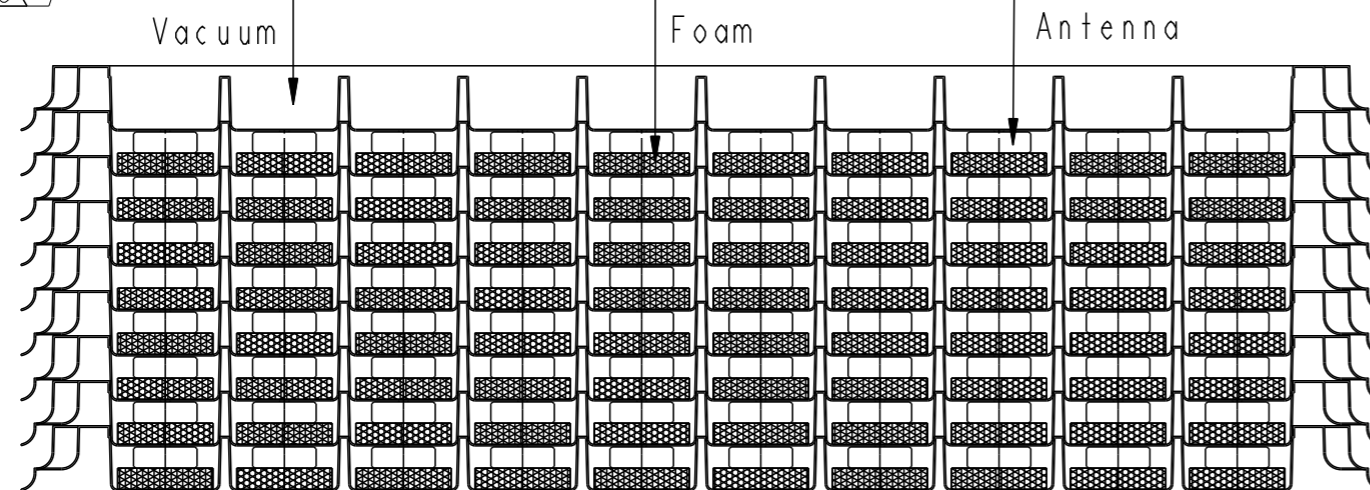
NOTES.

1. UNLESS OTHERWISE SPECIFIED TOLERANCE PER EIA-481-D

2 ORIENT PARTS AS SHOWN.

3 MATERIAL : PP 0.6mm THICKNESS, COLOR : NATURAL. ANTISTATIC
WHEN ALTERNATIVEMATERIAL USE, CONSULT ECO PRIOR TO MANUFACTURER.

4. Q'TY : 50PCS/TRAY

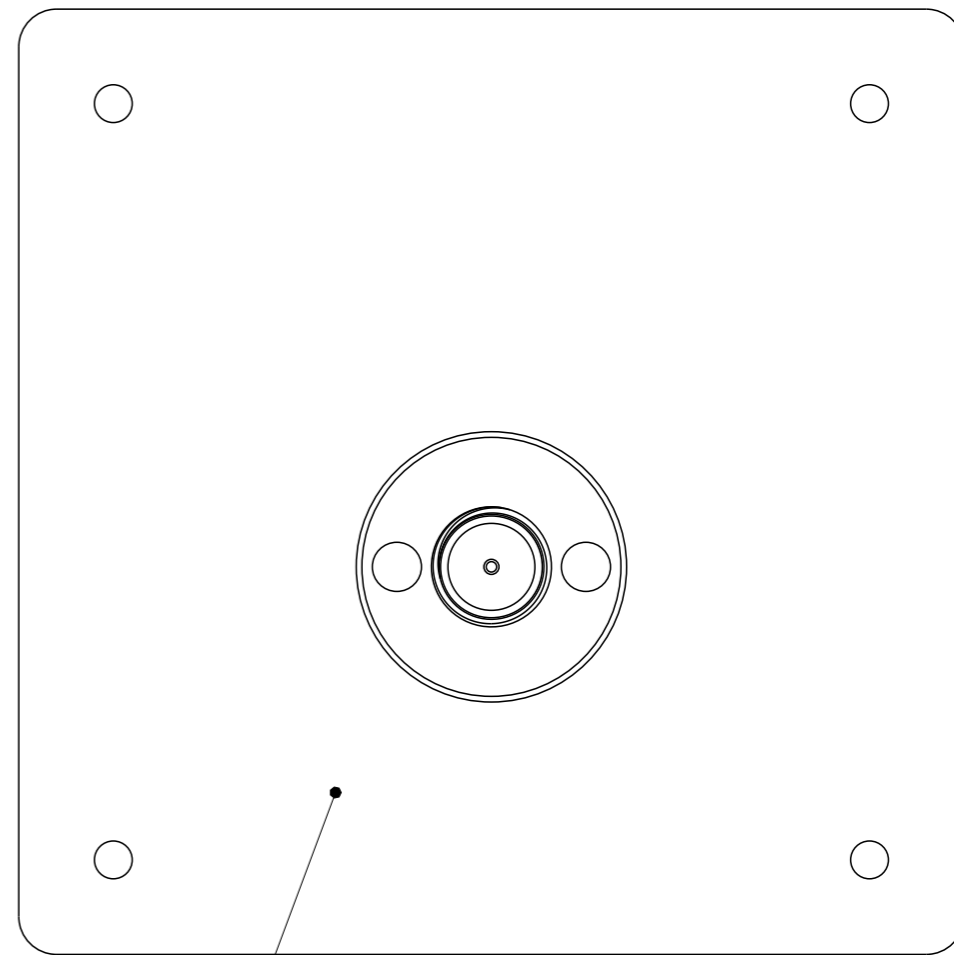
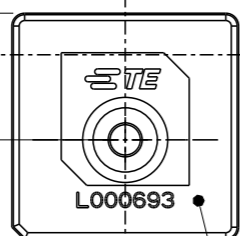
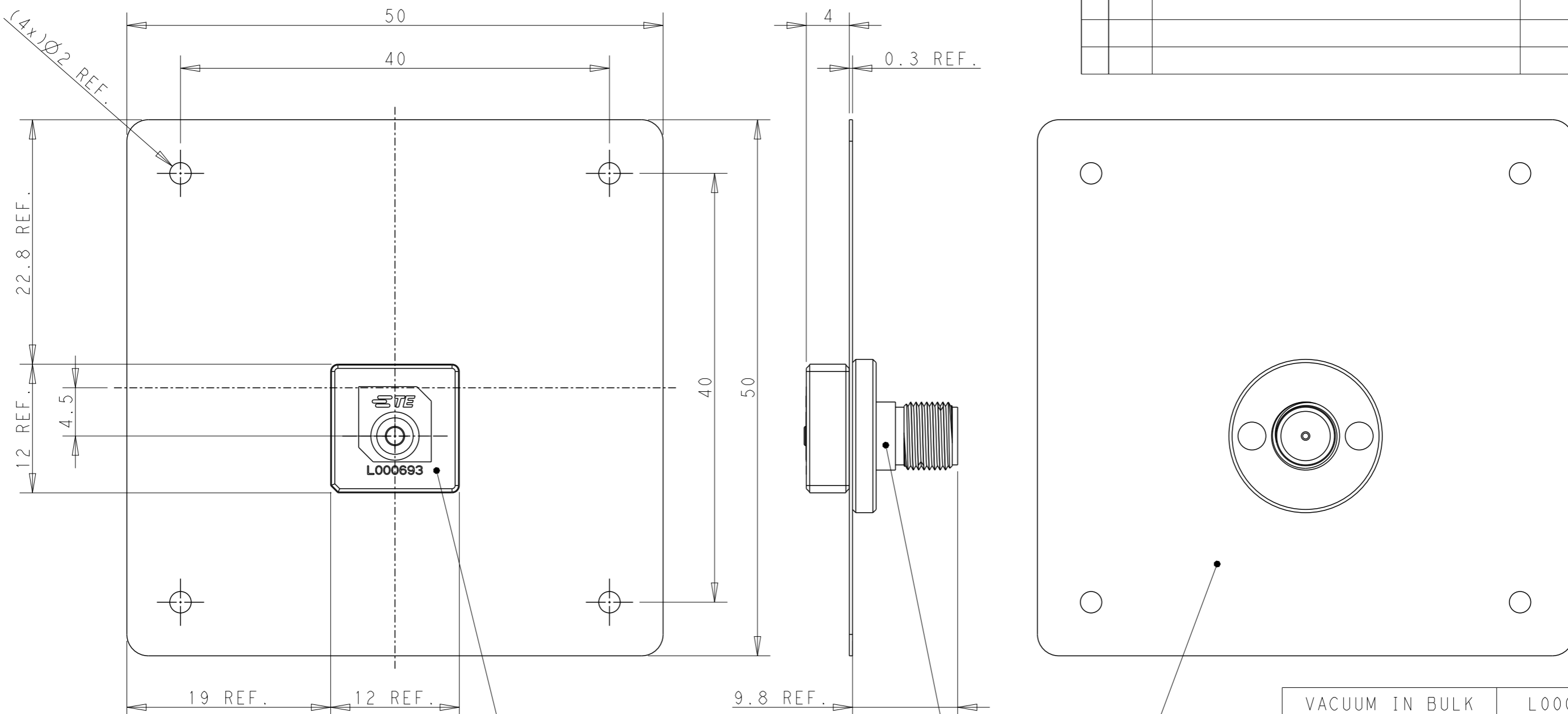


THIS DRAWING IS A CONTROLLED DOCUMENT.		DWN DW.PARK 09JUL2024	TE Connectivity	
DIMENSIONS: mm		CHK SJ.NOH 09JUL2024		
TOLERANCES UNLESS OTHERWISE SPECIFIED:		APVD NG.WEITAT 09JUL2024	NAME Ceramic Patch ant, 5850-5925MHz, 12x12x4	
0 PLC ±-		PRODUCT SPEC	SIZE	
1 PLC ±-		APPLICATION SPEC	CAGE CODE	
2 PLC ±-			DRAWING NO	
3 PLC ±-			RESTRICTED TO	
4 PLC ±-			A300779	
ANGLES ±-			C=L000693	
FINISH		WEIGHT	SCALE	
SEE NOTE 3			1:1	
			SHEET	
			2 OF 4	
			REV	
			A	

ANTENNA WITH EVB ASS'Y

REVISIONS

P	LTR	DESCRIPTION	DATE	DWN	APVD
		SEE SHEET 1			



1 REFER TO SHEET 1


3

2

NOTES: UNLESS OTHERWISE SPECIFIED.

1. MATERIAL : SEE TABLE.
2. FINISH : EVB ASSEMBLY WITH SOLDER PROCESS
3. CONSULTS TE CONNECTIVITY DATA SHEET L000693
4. CONTACT TE CONNECTIVITY ENGINEERING PRIOR TO DESIGNING INTO AN APPLICATION.
5. PACKAGING: SECURELY VACUUM PACKAGED IN BULK.(REFER TO SHEET4)

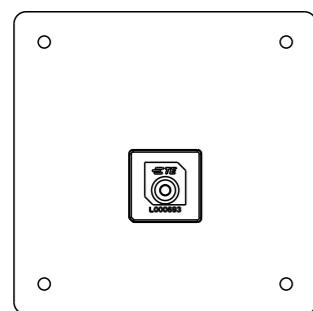
VACUUM IN BULK	L000693-80	
PACKAGING	PART NUMBER	
1	SMA FEMALE CONNECTOR	3
1	METAL PLATE	2
1	L000693-01 ANTENNA	1
Q'TY (PC)	DESCRIPTION	ITEM

THIS DRAWING IS A CONTROLLED DOCUMENT.		DWN DW.PARK 09JUL2024	 TE Connectivity NAME Ceramic Patch ant, 5850-5925MHz, 12x12x4	
DIMENSIONS: mm		CHK SJ.NOH 09JUL2024		
TOLERANCES UNLESS OTHERWISE SPECIFIED:		APVD NG.WEITAT 09JUL2024		
0 PLC ±0.2 1 PLC ±0.2 2 PLC ±0.2 3 PLC ±0.2 4 PLC ±0.2 ANGLES ±- ±-		PRODUCT SPEC -		
MATERIAL SEE NOTE 1		FINISH -	APPLICATION SPEC -	SIZE A3
-		FINISH -	WEIGHT -	CAGE CODE 00779
CUSTOMER DRAWING			SCALE 5:2	DRAWING NO G=L000693
			SHEET 3	RESTRICTED TO -
			OF 4	REV A

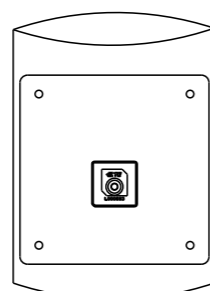
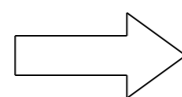
REVISIONS

P	LTR	DESCRIPTION	DATE	DWN	APVD
		SEE SHEET 1			

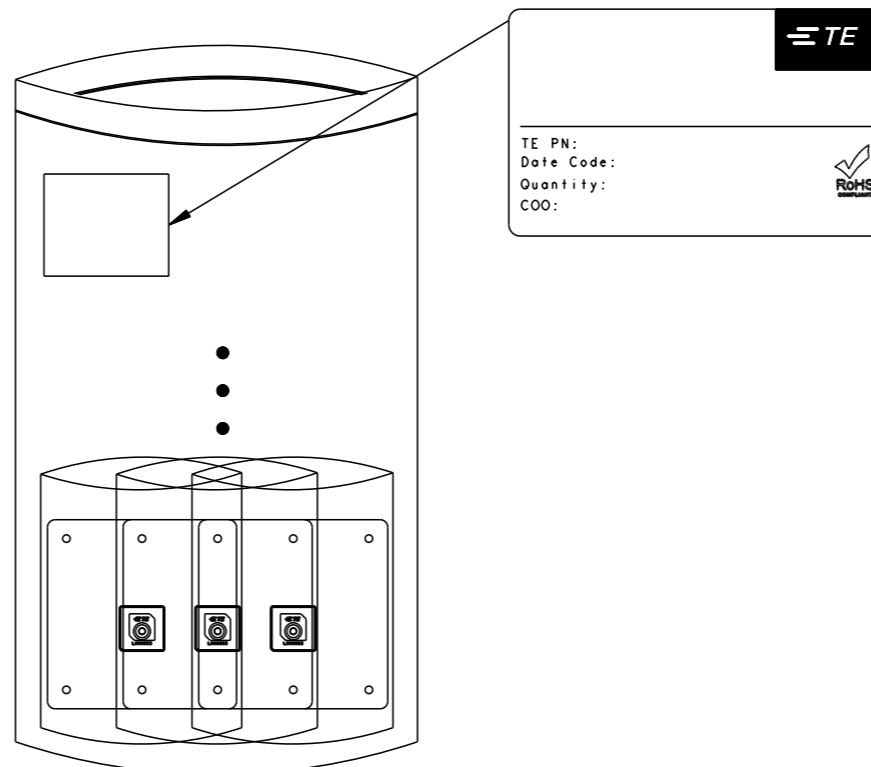
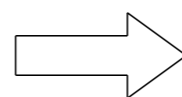
PACKAGING SPECIFICATIONS FOR REFERENCE



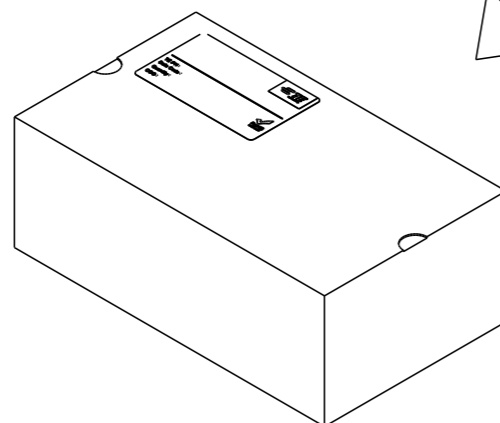
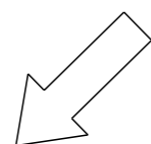
ANTENNA WITH EVB ASS'Y



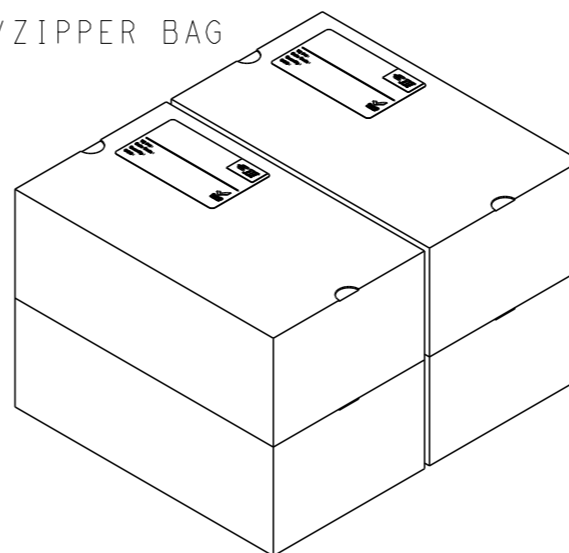
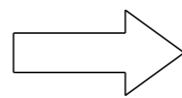
1PC/BAG
DRYING AGENT : 1PC/BAG



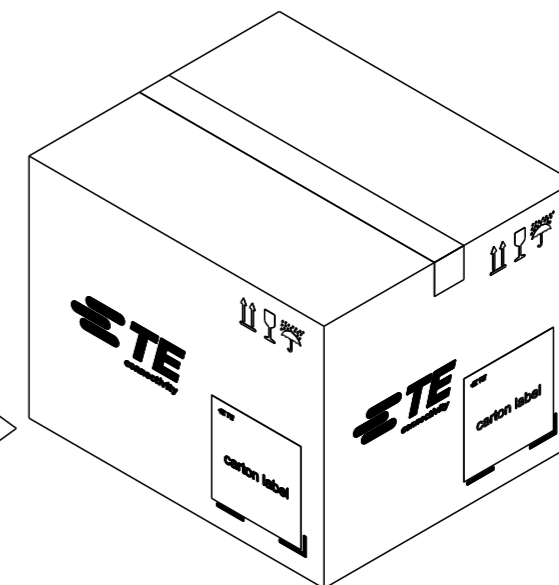
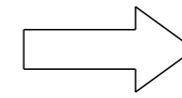
10PCS/ZIPPER BAG



4 ZIPPER BAGS/BOX
40PCS/BOX
BOX SIZE : 154x263x96(MM)



4 BOXES



4 BOXES/CARTON
160PCS/CARTON
SIZE : 330x280x254(MM)

THIS DRAWING IS A CONTROLLED DOCUMENT.		DWN DW.PARK 09JUL2024	TE Connectivity	
		CHK SJ.NOH 09JUL2024		
		APVD NG.WEITAT 09JUL2024	NAME Ceramic Patch ant, 5850-5925MHz, 12x12x4	
DIMENSIONS: mm		PRODUCT SPEC -	SIZE A300779 C=L000693	
TOLERANCES UNLESS OTHERWISE SPECIFIED:		APPLICATION SPEC -	DRAWING NO C=L000693	
0 PLC ±-		WEIGHT -	RESTRICTED TO -	
1 PLC ±-				
2 PLC ±-				
3 PLC ±-				
4 PLC ±-				
ANGLES ±-				
MATERIAL -		SCALE 1:1 SHEET 4 OF 4 REV A		
FINISH -		CUSTOMER DRAWING		

X-ON Electronics

Largest Supplier of Electrical and Electronic Components

Click to view similar products for [Antennas](#) category:

Click to view products by [TE Connectivity](#) manufacturer:

Other Similar products are found below :

[930-033-R](#) [EXE902SM](#) [108-00014-50](#) [66089-2406](#) [A09-F8NF-M](#) [A09-F5NF-M](#) [RGFRA1903041A1T](#) [W1049B090](#) [TRABT1560](#)
[WTL2449CQ1-FRSMM](#) [CPL9C](#) [CB27S](#) [0600-00060](#) [Y4503](#) [PAL90209H-FNF](#) [GD53-25](#) [MAF94051](#) [S9025PLSMF](#) [QWFTB120](#)
[MAF94300](#) [FG4403](#) [BB1442NR](#) [GPSCPMM00](#) [ANTDOM-05-01-WPM](#) [ANT-WP868SMA-Y](#) [EXW30BNX](#) [S4908WBFNM](#) [B4305CN](#)
[C27](#) [C27S](#) [CBNC58](#) [EXH160MXI](#) [EXH160SFK](#) [EXC902SM](#) [CB27](#) [ABFT](#) [BB4502NR](#) [B4502N](#) [S4908WBFNF](#) [NMOQ88C](#) [NMOQB](#)
[NMOQC](#) [ANT-GSMGPSPUKS](#) [60210](#) [60140](#) [ANT-8WPIG-UFL](#) [ANT-GPSPUKS](#) [A21H0](#) [29000863](#) [29000848](#)