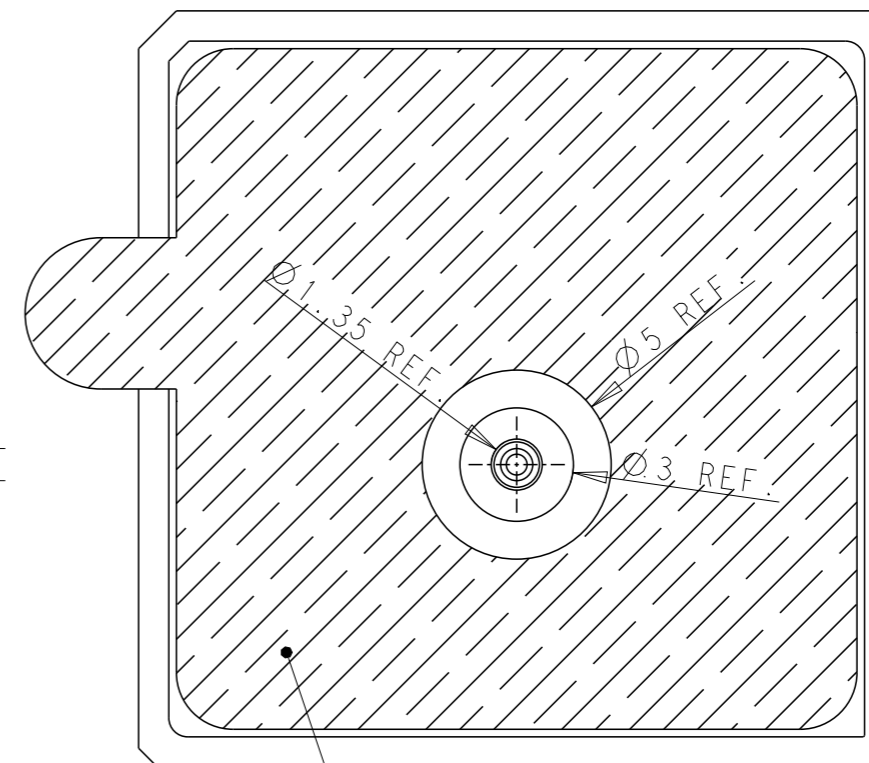
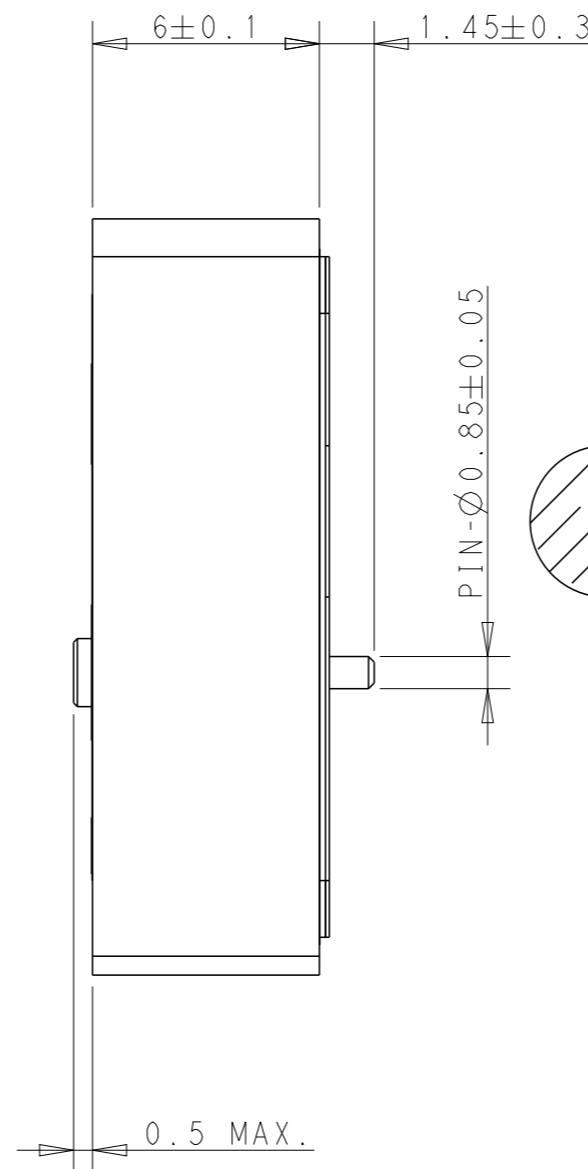
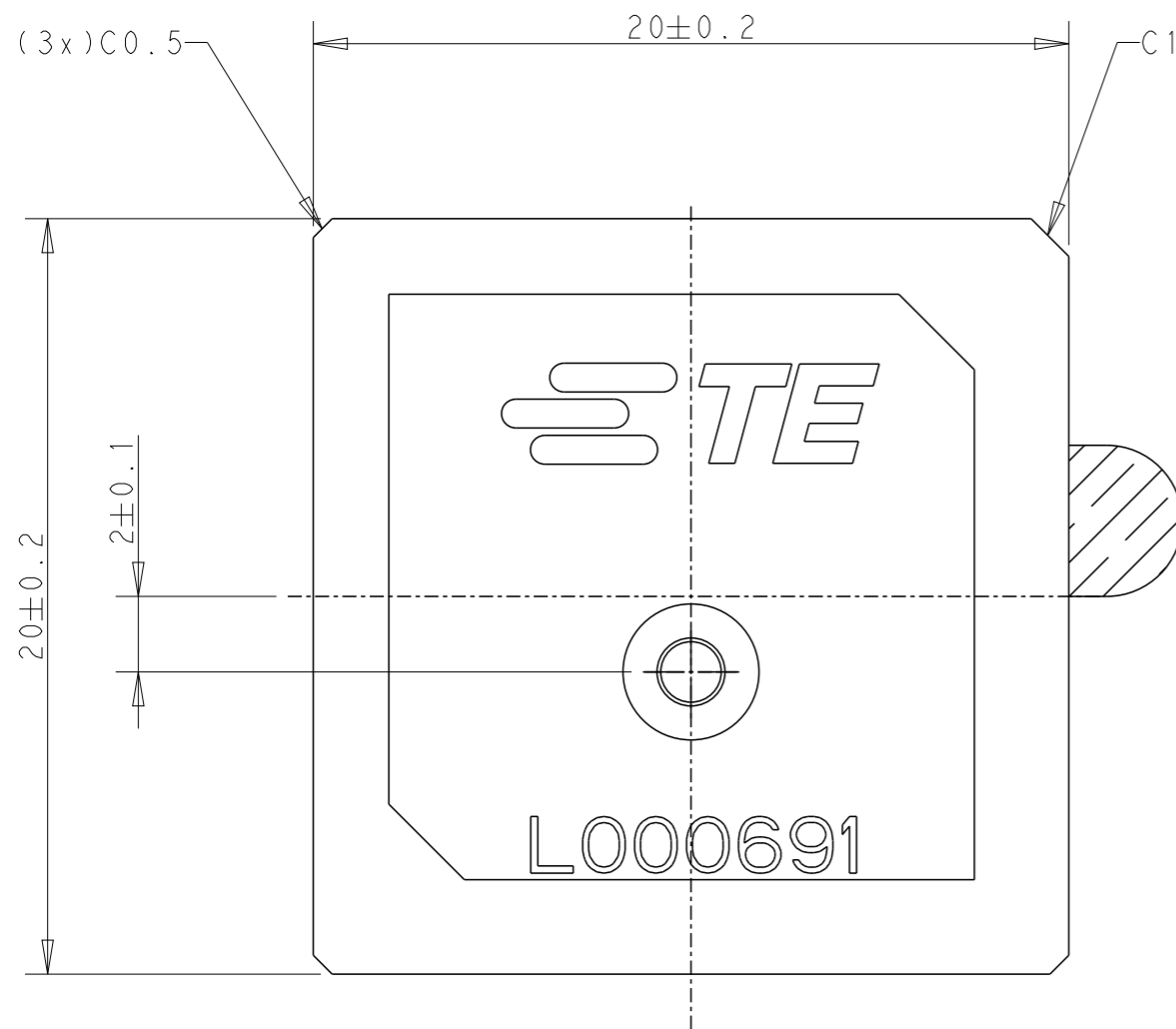


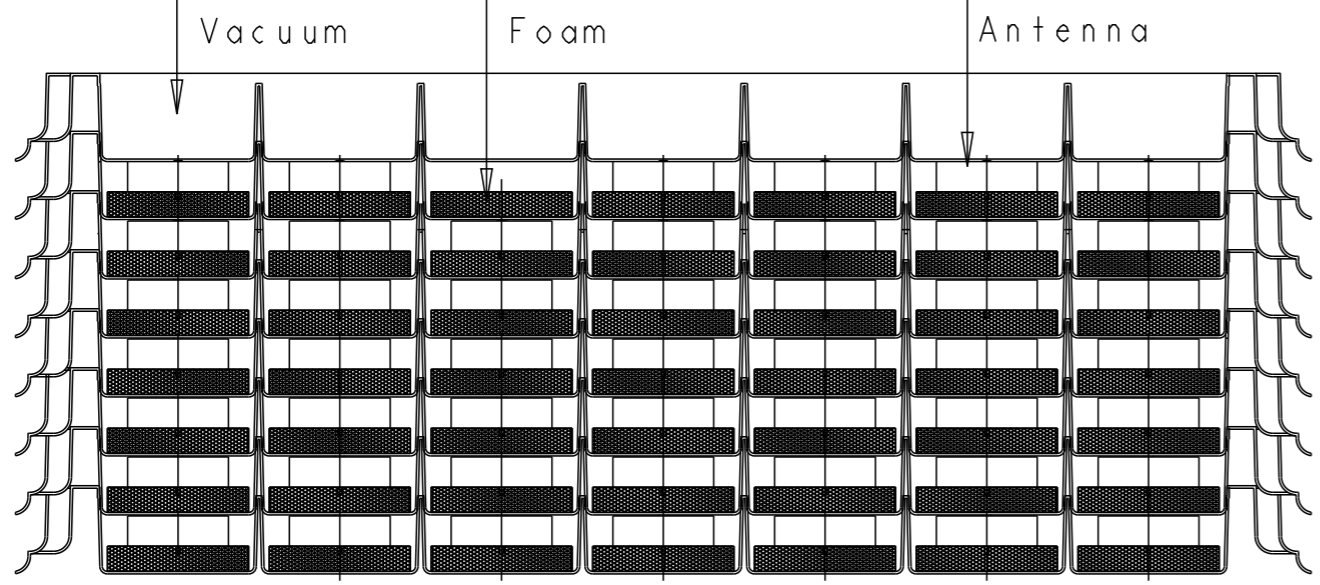
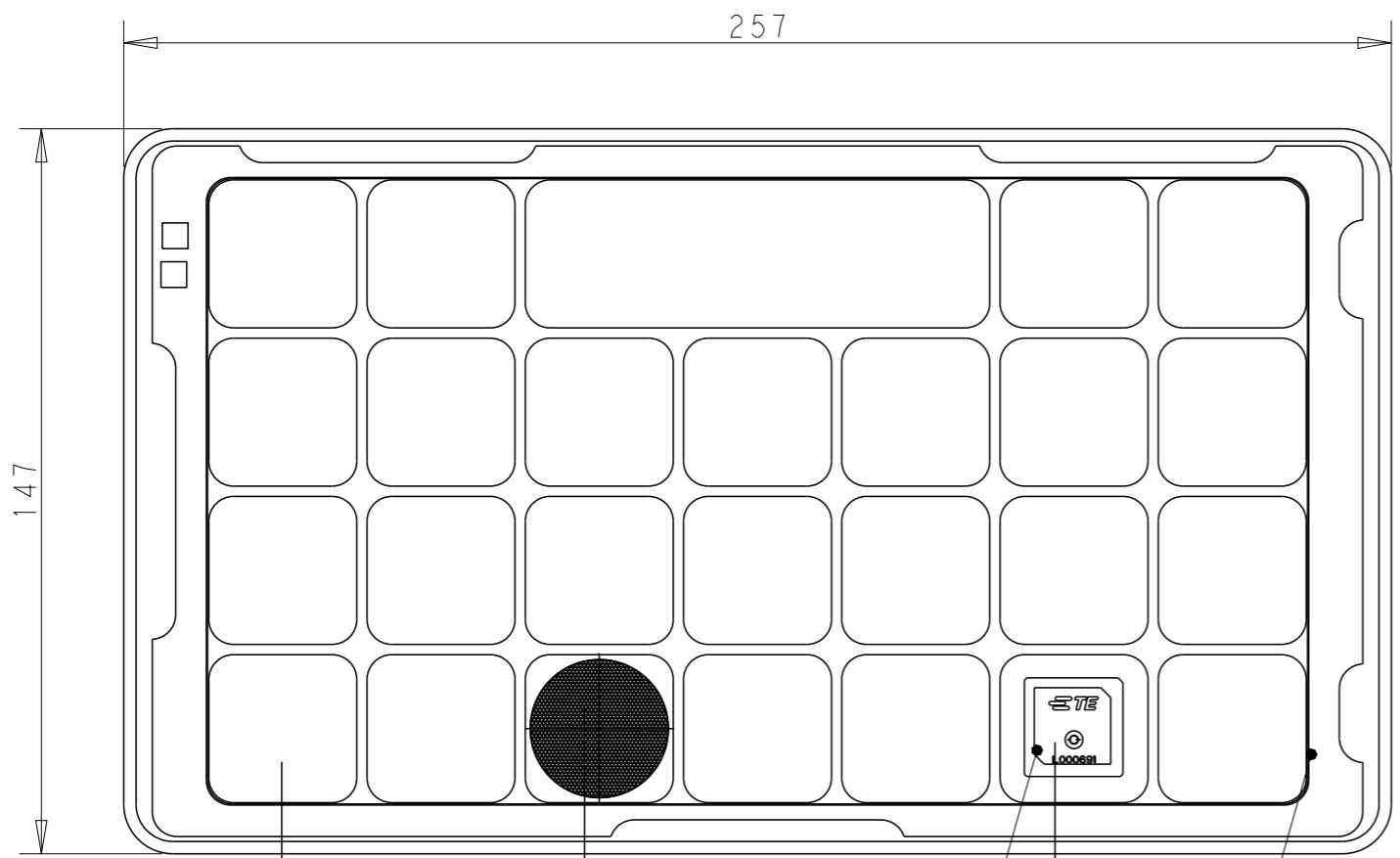
P	LTR	DESCRIPTION	DATE	DWN	APVD
	A	REVISED PER ECN-24-287325	04OCT2024	DW	VK



NOTES: UNLESS OTHERWISE SPECIFIED.

1. MATERIAL : CERAMIC
2. CONSULT TE CONNECTIVITY DATA SHEET : L000691
3. CONTACT TE CONNECTIVITY ENGINEERING PRIOR TO DESIGNIN INTO AN APPLICATION.
4. PACKAGING : TRAY PACKAGED, SEE SHEET 2

THIS DRAWING IS A CONTROLLED DOCUMENT.		DWN DW.PARK	04JUL2024		
DIMENSIONS: mm		CHK SJ.NOH	04JUL2024		
		APVD NG.WEITAT	04JUL2024		
		PRODUCT SPEC			
TOLERANCES UNLESS OTHERWISE SPECIFIED:		APPLICATION SPEC		NAME Ceramic Patch ant, 1561-1602MHz, 20x20x6	
0 PLC ±-		-		SIZE	CAGE CODE
1 PLC ±-		-		A3	00779
2 PLC ±-		-		DRAWING NO C=L000691	
3 PLC ±-		-		RESTRICTED TO	
4 PLC ±-		-		-	
ANGLES ±-		-		-	
FINISH		WEIGHT		SCALE	
SEE NOTE 1		-		1:1	
-		-		SHEET	
-		-		1 OF 4	
-		-		REV	
-		-		A	



REVISIONS					
P	LTR	DESCRIPTION	DATE	DWN	APVD
		SEE SHEET 1			

AS SHOWN L000691-01
ANTENNA WITH TRAY PACKAGING
REFERENCE ONLY

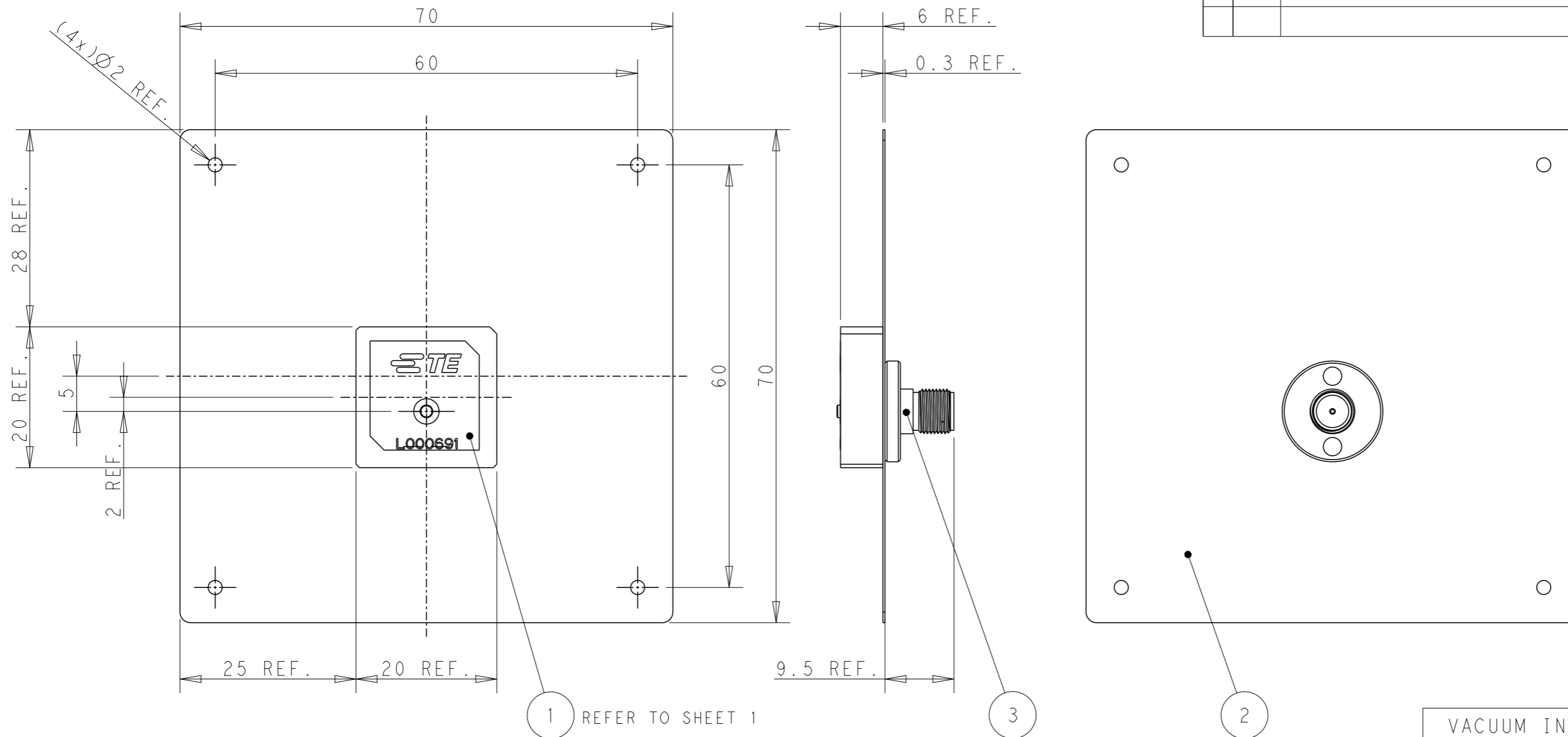
NOTES.

- 1. UNLESS OTHERWISE SPECIFIED TOLERANCE PER EIA-481-D
- 2. ORIENT PARTS AS SHOWN.
- 3. MATERIAL : PP 0.6mm THICKNESS, COLOR : NATURAL. ANTISTATIC
WHEN ALTERNATIVEMATERIAL USE, CONSULT ECO PRIOR TO MANUFACTURER.
- 4. Q'TY : 25PCS/TRAY

THIS DRAWING IS A CONTROLLED DOCUMENT.		DWN DW.PARK	04JUL2024	TE TE Connectivity
DIMENSIONS: mm		CHK SJ.NOH	04JUL2024	
		APVD NG.WEITAT	04JUL2024	
		TOLERANCES UNLESS OTHERWISE SPECIFIED:		
MATERIAL SEE NOTE 3		NAME Ceramic Patch ant, 1561-1602MHz, 20x20x6		RESTRICTED TO
FINISH		PRODUCT SPEC		SIZE
-		APPLICATION SPEC		CAGE CODE
-		WEIGHT		DRAWING NO
-		CUSTOMER DRAWING		A300779
-		SCALE		1:1
-		SHEET		2 OF 4
-		REV		A

ANTENNA WITH EVB ASS'Y

P	LTR	DESCRIPTION	DATE	DWN	APVD
		SEE SHEET 1			



1 REFER TO SHEET 1

3

2

NOTES: UNLESS OTHERWISE SPECIFIED.

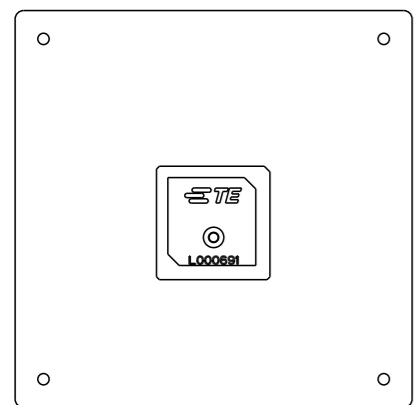
1. MATERIAL : SEE TABLE.
2. FINISH : EVB ASSEMBLY WITH SOLDER PROCESS
3. CONSULTS TE CONNECTIVITY DATA SHEET L000691
4. CONTACT TE CONNECTIVITY ENGINEERING PRIOR TO DESIGNING INTO AN APPLICATION.
5. PACKAGING: SECURELY VACUUM PACKAGED IN BULK.(REFER TO SHEET4)

VACUUM IN BULK	L000691-80	
PACKAGING	PART NUMBER	
ITEM	DESCRIPTION	Q'TY (PC)
1	L000691-01 ANTENNA	1
2	METAL PLATE	1
3	SMA FEMALE CONN.	1

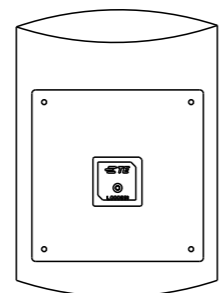
THIS DRAWING IS A CONTROLLED DOCUMENT.		DWN DW.PARK 04JUL2024	TE Connectivity		
DIMENSIONS: mm		CHK SJ.NOH 04JUL2024			
TOLERANCES UNLESS OTHERWISE SPECIFIED:		APVD NG.WEITAT 04JUL2024	NAME Ceramic Patch ant, 1561-1602MHz, 20x20x6		
0 PLC ±0.20 1 PLC ±0.20 2 PLC ±0.20 3 PLC ±0.20 4 PLC ±0.20 ANGLES ±-		PRODUCT SPEC -	RESTRICTED TO -		
MATERIAL SEE NOTE 1		APPLICATION SPEC -	SIZE A3	CAGE CODE 00779	DRAWING NO C=L000691
FINISH -		WEIGHT -	SCALE 3:2 SHEET 3 OF 4 REV A		
-		CUSTOMER DRAWING			

PACKAGING SPECIFICATIONS FOR REFERENCE

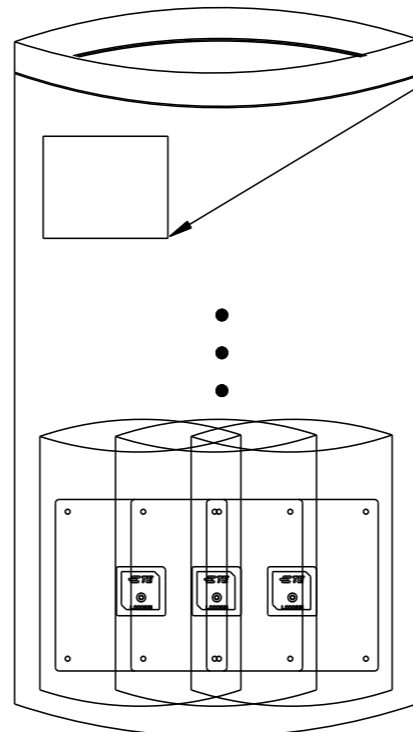
P	LTR	DESCRIPTION	DATE	DWN	APVD
		SEE SHEET 1			



ANTENNA WITH EVB ASS'Y



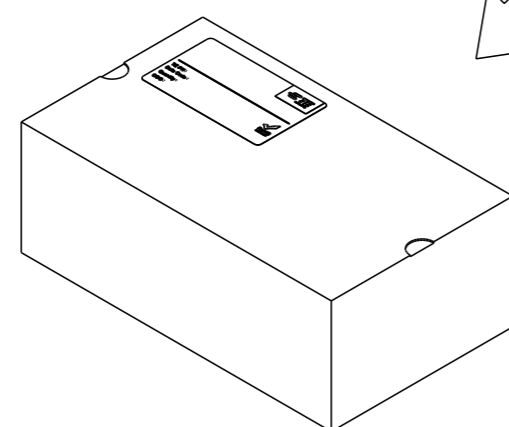
1PC/BAG
DRYING AGENT : 1PC/BAG



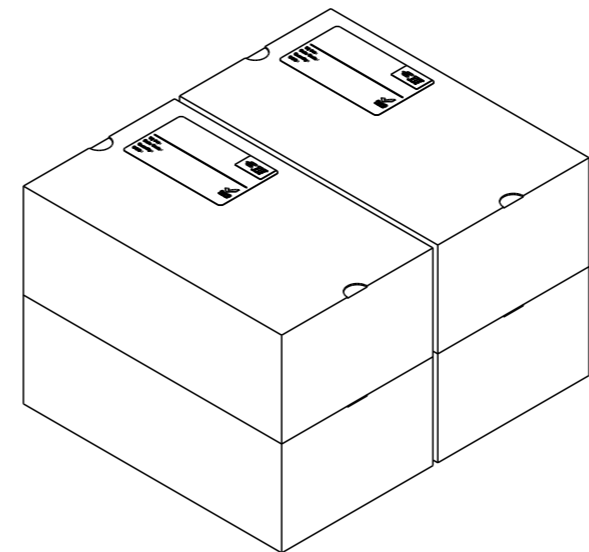
TE PN:
Date Code:
Quantity:
COO:

RoHS

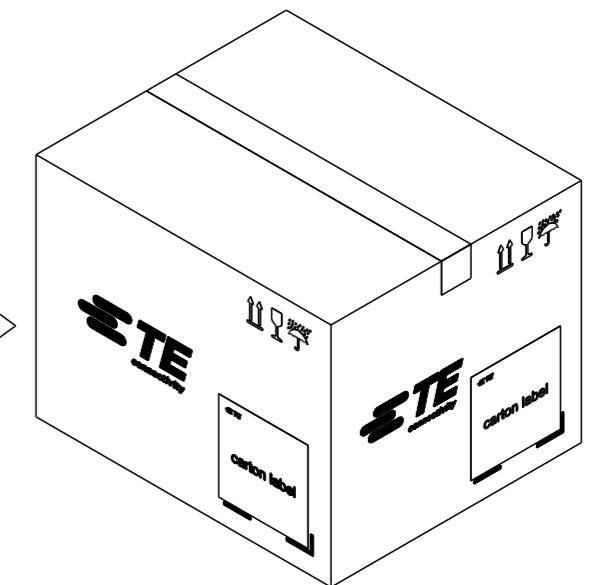
10PCS/ZIPPER BAG



4 ZIPPER BAGS/BOX
40PCS/BOX
BOX SIZE : 154x263x96(MM)



4 BOXES



4 BOXES/CARTON
160PCS/CARTON
SIZE : 330x280x254(MM)

THIS DRAWING IS A CONTROLLED DOCUMENT.		DWN DW.PARK	04JUL2024	TE Connectivity	
		CHK S.J.NOH	04JUL2024		
		APVD NG.WEITAT	04JUL2024	NAME Ceramic Patch ant, 1561-1602MHz, 20x20x6	
DIMENSIONS: mm		TOLERANCES UNLESS OTHERWISE SPECIFIED:		PRODUCT SPEC	
		0 PLC	±-	APPLICATION SPEC	
		1 PLC	±-	-	
		2 PLC	±-	-	
		3 PLC	±-	-	
		4 PLC	±-	-	
MATERIAL		FINISH		WEIGHT	
-		-		-	
		CUSTOMER DRAWING		SIZE A3	CAGE CODE 00779
				DRAWING NO C=L000691	RESTRICTED TO -
				SCALE 1:1	SHEET 4 OF 4
				REV A	

X-ON Electronics

Largest Supplier of Electrical and Electronic Components

Click to view similar products for [Antennas](#) category:

Click to view products by [TE Connectivity](#) manufacturer:

Other Similar products are found below :

[930-033-R](#) [EXE902SM](#) [108-00014-50](#) [66089-2406](#) [A09-F8NF-M](#) [A09-F5NF-M](#) [RGFRA1903041A1T](#) [W1049B090](#) [TRABT1560](#)
[WTL2449CQ1-FRSMM](#) [CPL9C](#) [CB27S](#) [0600-00060](#) [Y4503](#) [PAL90209H-FNF](#) [GD53-25](#) [MAF94051](#) [S9025PLSMF](#) [QWFTB120](#)
[MAF94300](#) [FG4403](#) [BB1442NR](#) [GPSCPMM00](#) [ANTDOM-05-01-WPM](#) [ANT-WP868SMA-Y](#) [EXW30BNX](#) [S4908WBFNM](#) [B4305CN](#)
[C27](#) [C27S](#) [CBNC58](#) [EXH160MXI](#) [EXH160SFK](#) [EXC902SM](#) [CB27](#) [ABFT](#) [BB4502NR](#) [B4502N](#) [S4908WBFNF](#) [NMOQ88C](#) [NMOQB](#)
[NMOQC](#) [ANT-GSMGPSPUKS](#) [60210](#) [60140](#) [ANT-8WPIG-UFL](#) [ANT-GPSPUKS](#) [A21H0](#) [29000863](#) [29000848](#)