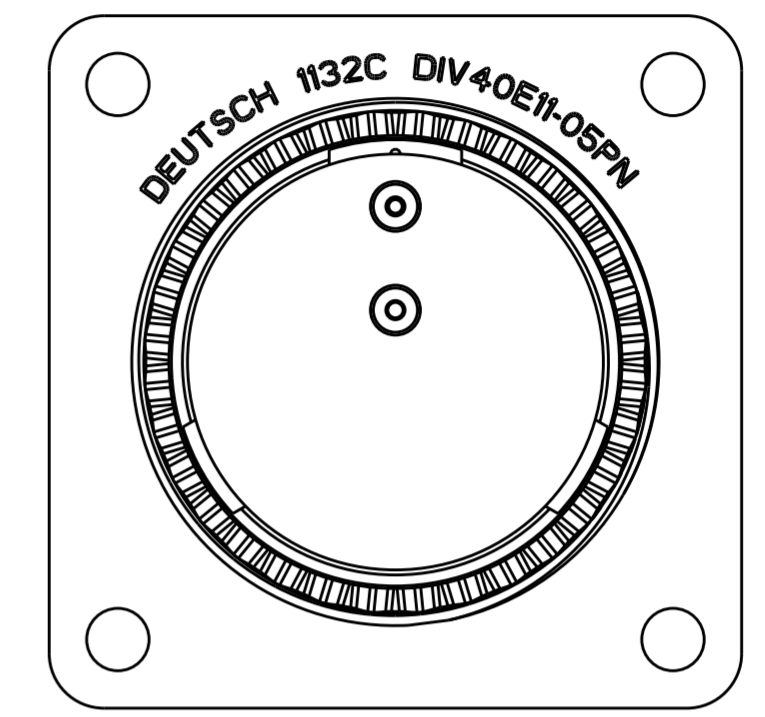
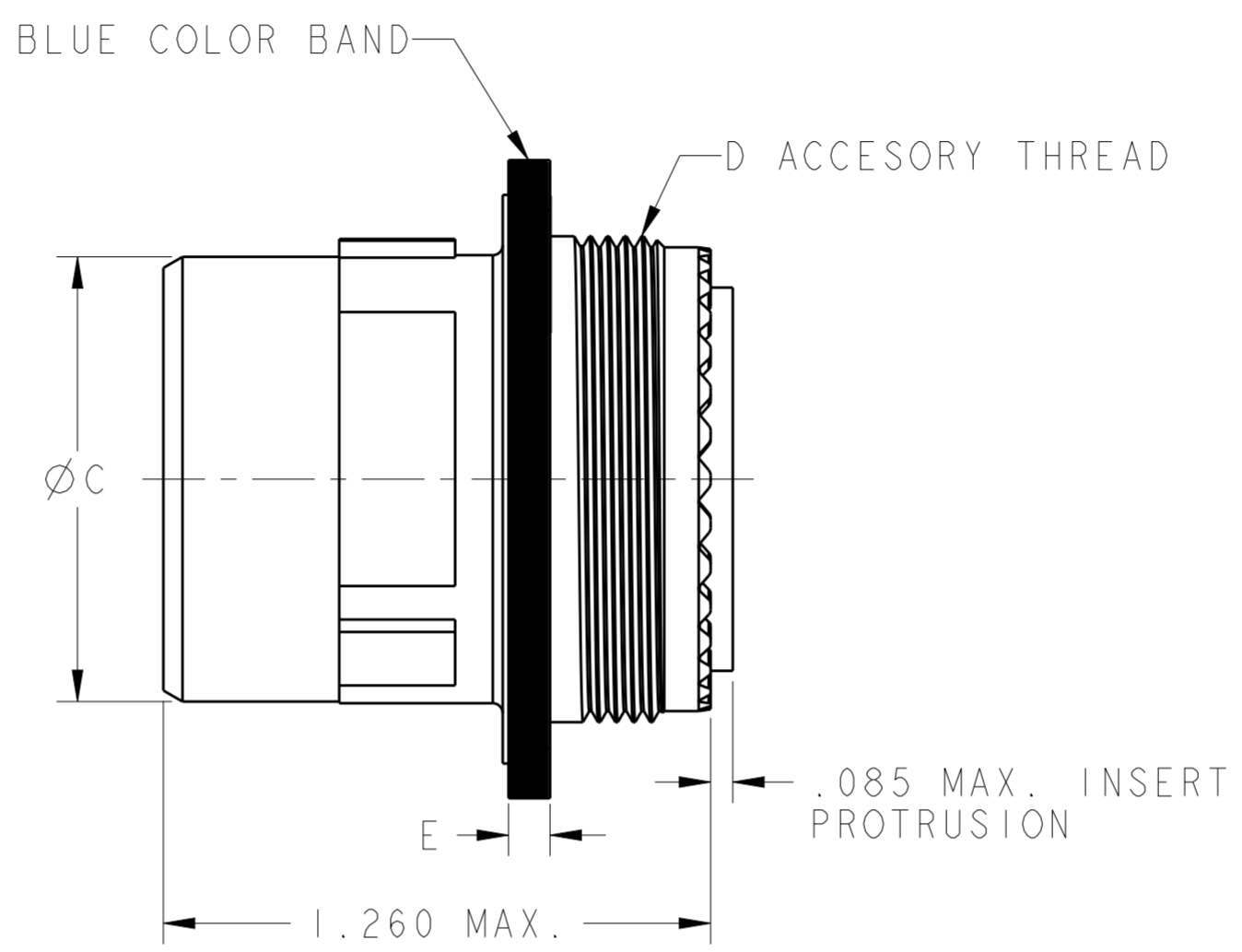
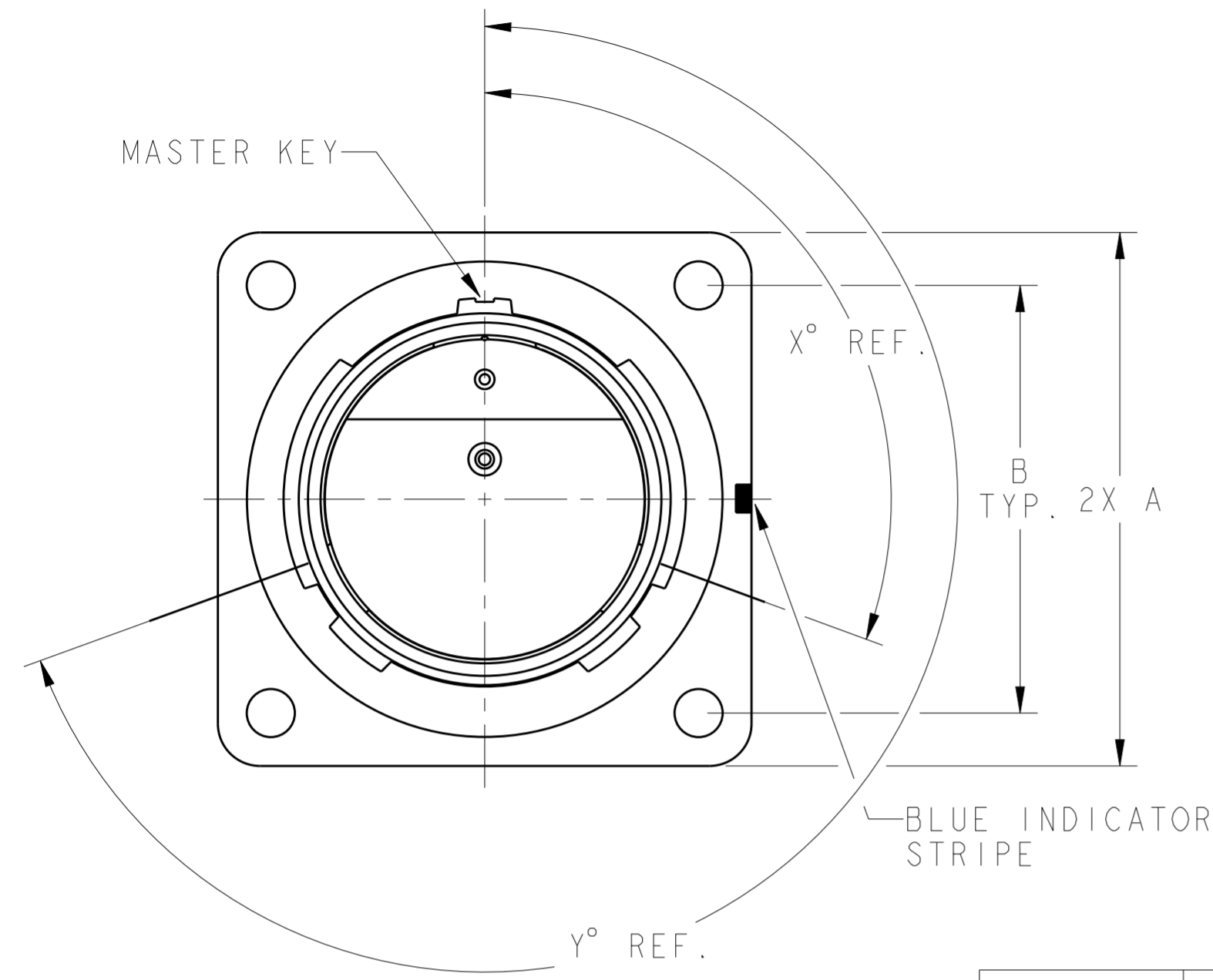


THIS DRAWING IS UNPUBLISHED. RELEASED FOR PUBLICATION 2015  
 © COPYRIGHT 2015 BY - TE CONNECTIVITY OCEANSIDE ALL RIGHTS RESERVED.

PROPERTY OF TE CONNECTIVITY  
 THIS INFORMATION IS CONFIDENTIAL AND PROPRIETARY TO TYCO ELECTRONICS CORPORATION AND ITS WORLDWIDE SUBSIDIARIES AND AFFILIATES (TE). IT MAY NOT BE DISCLOSED TO ANYONE, OTHER THAN TE PERSONNEL, WITHOUT AUTHORIZATION FROM TE (www.TE.com).

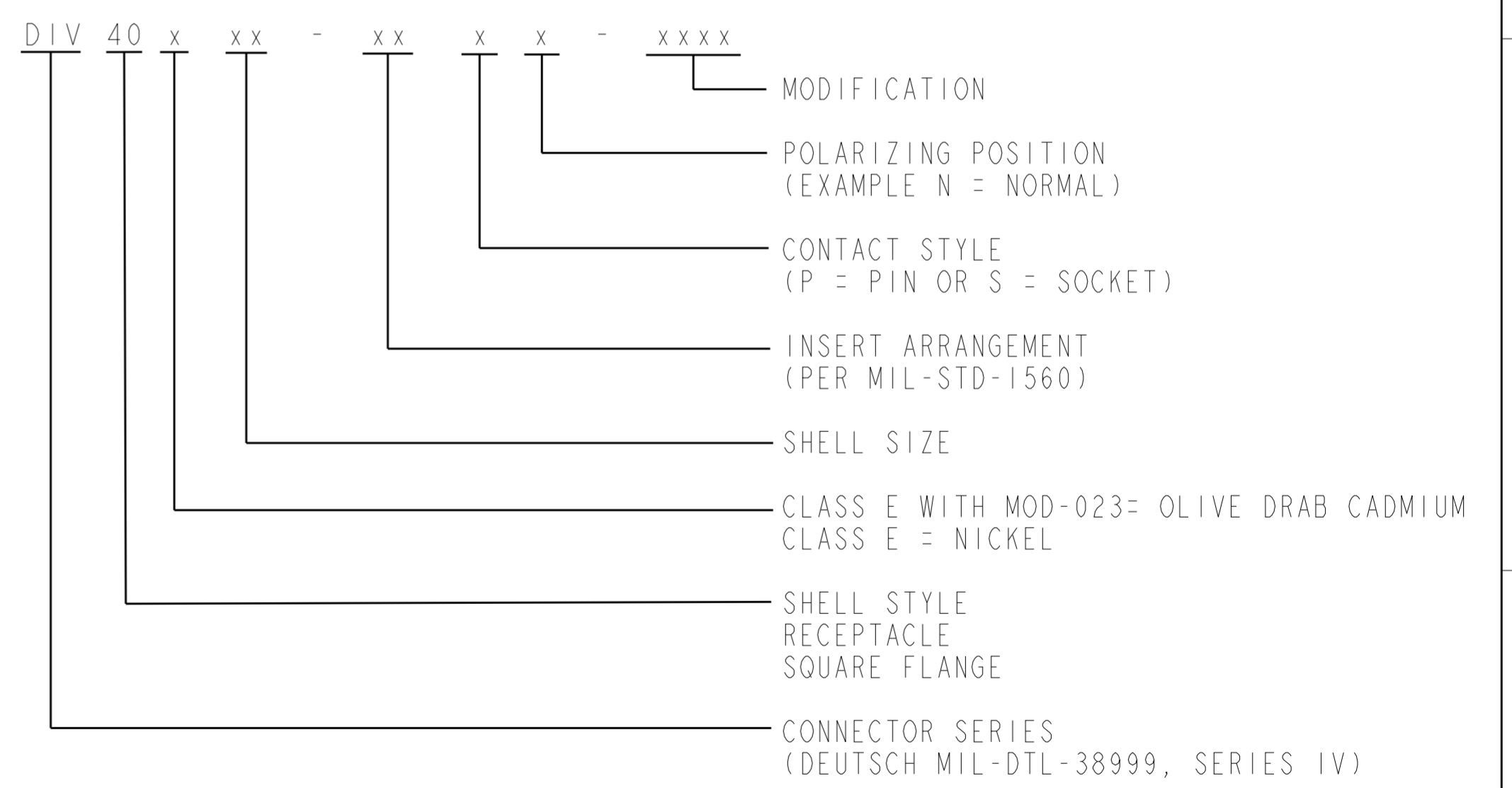
REVISIONS					
P	LTR	DESCRIPTION	DATE	DWN	APVD
	A	REVISED PER ECO-16-000573	SS	AT	



CLOCKING	X° REF	Y° REF
N	110	250
A	100	260
B	90	270
C	80	280
D	70	290
K	120	255

PART NUMBER	A±.020	B±.005	C±.003	D THREAD METRIC	E±.009
DIV40x11-xxP/Sx	1.030	.812	.506	M15X1.0-6g 0.100R	.093
DIV40x13-xxP/Sx	1.124	.906	.631	M18X1.0-6g 0.100R	.093
DIV40x15-xxP/Sx	1.219	.969	.756	M22X1.0-6g 0.100R	.093
DIV40x17-xxP/Sx	1.313	1.062	.882	M25X1.0-6g 0.100R	.093
DIV40x19-xxP/Sx	1.439	1.156	1.006	M28X1.0-6g 0.100R	.093
DIV40x21-xxP/Sx	1.561	1.250	1.131	M31X1.0-6g 0.100R	.124
DIV40x23-xxP/Sx	1.687	1.375	1.256	M34X1.0-6g 0.100R	.124
DIV40x25-xxP/Sx	1.813	1.500	1.381	M37X1.0-6g 0.100R	.124

EXAMPLE OF PART NUMBER:



3. FOR APPLICABLE KEYING DIAGRAM, AVAILABLE INSERT ARRANGEMENTS, AND PANEL CUTOUT DIMENSIONS, SEE MIL-DTL-38999 SERIES IV AND MIL-STD-1560.

2. GENERAL SPECIFICATIONS: THIS CONNECTOR MEETS THE PERFORMANCE AND INTERMATEABILITY REQUIREMENTS OF MIL-DTL-38999, SERIES IV.

⚠ MATERIAL/FINISH: SHELL - ALUMINUM ALLOY / NICKEL PLATED.  
 CONTACTS - COPPER ALLOY, GOLD PLATED.  
 INSERTS - SILICONE ELASTOMER AND HIGH GRADE PLASTIC.

NOTES: UNLESS OTHERWISE SPECIFIED.

THIS DRAWING IS A CONTROLLED DOCUMENT.		DWN S. SOTELO 161007		TE Connectivity	
DIMENSIONS: INCHES		CHK E. ALAWNEH 161007		NAME RECEPTACLE, SQUARE FLANGE MOUNTING BREECH COUPLING DEUTSCH MIL-DTL-38999 SERIES IV CONNECTOR	
TOLERANCES UNLESS OTHERWISE SPECIFIED:		APVD A. TEUNISSEN 161007	SIZE CAGE CODE DRAWING NO RESTRICTED TO		
0 PLC ±		PRODUCT SPEC D38999/40	A211139 C-DIV40xxx-xxxx		
1 PLC ±0.1		APPLICATION SPEC	SCALE 1:1 SHEET OF REV A		
2 PLC ±0.01		WEIGHT	Customer Drawing		
3 PLC ±0.005					
4 PLC ±0.0005					
ANGLES ±.5°					
FINISH SEE NOTE 1					

## X-ON Electronics

Largest Supplier of Electrical and Electronic Components

*Click to view similar products for [Circular MIL Spec Connector](#) category:*

*Click to view products by [TE Connectivity](#) manufacturer:*

Other Similar products are found below :

[0025-262-542](#) [0025-264-3014](#) [58-570121-04S](#) [0134-202-1200](#) [0134-207-1206](#) [0134-207-1800](#) [0134-207-2207](#) [0134-213-0806](#) [0134-213-1007](#) [0134-213-1009](#) [0134-213-1208](#) [0134-213-1800](#) [0134-213-2209](#) [0025-258-000](#) [015-9516-002](#) [60-042722-19P](#) [0114-201-1278](#) [602GB06EG24-61SN](#) [0134-201-1207](#) [0134-201-1806](#) [0134-201-2006](#) [0134-201-2007](#) [0134-201-2010](#) [0134-202-1400](#) [0134-207-0809](#) [0134-207-1208](#) [0134-207-2009](#) [0134-213-1006](#) [6104-207-2302](#) [6104-208-1902](#) [6104-215-0902](#) [6131-202-19149P](#) [6131-204-21149P](#) [6131-207-13149P](#) [6131-208-13149P](#) [6131-209-17149P](#) [6131-210-11149P](#) [6131-211-19149P](#) [6131-216-19149P](#) [6131-220-25149P](#) [6131-259-11149P](#) [6131-259-21149P](#) [6131-259-23149P](#) [6131-263-19149P](#) [6131-265-17149P](#) [6131-265-19149P](#) [CS3102A-20-15P](#) [CS3106A-10SL-53S](#) [CS3106A-10SL-64S](#) [CS3106A-12S-62SX](#)