

# DTS24G13-35SA [V001] ✓ ACTIVE

DEUTSCH | DEUTSCH 38999 Series III

TE Internal #: YDTS24G13-35SAV001

DEUTSCH 38999 Series III, Standard Circular Connectors, Cable-to-Panel, 22 Position, Sealable, Wire & Cable, 5A Contact Current Rating (Max), Signal

[View on TE.com >](#)



Connectors > Circular Connectors > Standard Circular Connectors > D38999: Jam Nut, 13-35 Insert



Connector System: **Cable-to-Panel**

Number of Positions: **22**

Sealable: **Yes**

Connector & Contact Terminates To: **Wire & Cable**

Contact Current Rating (Max): **5 A**

[All D38999: Jam Nut, 13-35 Insert \(84\)](#)

## Features

### Product Type Features

Product Type	Connector
Connector System	Cable-to-Panel
Sealable	Yes
Connector & Contact Terminates To	Wire & Cable
Circular Connector Type	Receptacle
Shell Type	Jam Nut Receptacle

### Configuration Features

Number of Positions	22
Number of Power Positions	0
Number of Signal Positions	22
Contacts Preloaded	Yes

### Body Features

Shell Plating Material	Space-Grade Electroless
Shell Base Material	Aluminum
Circular Connector Insulation Material Type	Hard Dielectric/Silicone
Hermetically Sealed	No



### Contact Features

Contact Current Rating (Max)	5 A
Contact Layout Arrangement	13 – 35
Circular Connector Contact Type	Socket

### Termination Features

Termination Method to Wire & Cable	Crimp
------------------------------------	-------

### Mechanical Attachment

Mating Retention Type	Threaded
Mating Alignment	With
PCB Mount Alignment	Without
Panel Mount Feature	With
Panel Mount Feature Type	Jam Nut
Connector Mounting Type	Panel Mount
Polarization Code	A
Mating Alignment Type	Keyed
Mating Retention	With

### Housing Features

Circular Connector Shell Size	13
Alignment Keyed	Clocking

### Dimensions

Wire Size	.08 – .33 mm <sup>2</sup>
-----------	---------------------------

### Usage Conditions

Operating Temperature Range	-65 – 200 °C[-85 – 392 °F]
-----------------------------	----------------------------

### Operation/Application

Circuit Application	Signal
Shielded	No

### Product Compliance

[For compliance documentation, visit the product page on TE.com>](#)

EU RoHS Directive 2011/65/EU	Compliant with Exemptions
EU ELV Directive 2000/53/EC	Compliant with Exemptions
China RoHS 2 Directive MIIT Order No 32, 2016	Restricted Materials Above Threshold



EU REACH Regulation (EC) No. 1907/2006

Current ECHA Candidate List: JUN 2020 (209)

Candidate List Declared Against: JUN 2020 (209)

SVHC > Threshold:

Pb (1.2% in Contact's Copper Alloy)

Decamethylcyclopentasiloxane (D5) (5% in Insert Assembly)

**Article Safe Usage Statements:**

Do not eat, drink or smoke when using this product. Wash thoroughly after handling. Recycle if possible and dispose of the article by following all applicable governmental regulations relevant to your geographic location.

Halogen Content

Not Yet Reviewed for halogen content

Solder Process Capability

Not reviewed for solder process capability

**Product Compliance Disclaimer**

This information is provided based on reasonable inquiry of our suppliers and represents our current actual knowledge based on the information they provided. This information is subject to change. The part numbers that TE has identified as EU RoHS compliant have a maximum concentration of 0.1% by weight in homogenous materials for lead, hexavalent chromium, mercury, PBB, PBDE, DBP, BBP, DEHP, DIBP, and 0.01% for cadmium, or qualify for an exemption to these limits as defined in the Annexes of Directive 2011/65/EU (RoHS2). Finished electrical and electronic equipment products will be CE marked as required by Directive 2011/65/EU. Components may not be CE marked. Additionally, the part numbers that TE has identified as EU ELV compliant have a maximum concentration of 0.1% by weight in homogenous materials for lead, hexavalent chromium, and mercury, and 0.01% for cadmium, or qualify for an exemption to these limits as defined in the Annexes of Directive 2000/53/EC (ELV). Regarding the REACH Regulation, the information TE provides on SVHC in articles for this part number is based on the latest European Chemicals Agency (ECHA) 'Guidance on requirements for substances in articles' posted at this URL: <https://echa.europa.eu/guidance-documents/guidance-on-reach>

## Compatible Parts



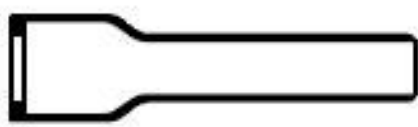
TE Part # YDTS26G13-35PAV001  
PLUG ASSY

## Also in the Series | DEUTSCH 38999 Series III




Standard Circular Connectors(33079)

## Customers Also Bought



TE Part #CZ1871-000  
202D211-25-70/225-0



TE Part #322376  
DIAMOND GRIP 16-14 HR R 1/4



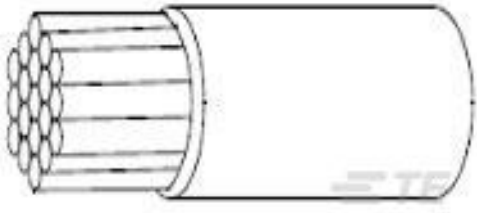
TE Part #YDTS24G13-35SBV001  
D38999: Jam Nut, 13-35 Insert



TE Part #2280308-1  
KIT, BTLI, PISTOL GRIP, 12 TON




TE Part #827791N001  
SO63-4-9036-22CS2677



TE Part #031715-000  
22759/44-14-0



TE Part #289172-000  
22759/34-18-5



TE Part #CU2128-000  
22759/43-10-5



TE Part #YDTS26G19-35PBV001  
PLUG ASSY

## Documents

### Product Drawings

RECP ASSY

English

### Datasheets & Catalog Pages

DEUTSCH MIL-DTL-38999 CIRCULAR CONNECTORS

English

## X-ON Electronics

Largest Supplier of Electrical and Electronic Components

*Click to view similar products for [Circular MIL Spec Connector](#) category:*

*Click to view products by [TE Connectivity](#) manufacturer:*

Other Similar products are found below :

[89075GULPR](#) [0025-264-3014](#) [58-570121-04S](#) [58-584653-12P](#) [0134-213-1007](#) [0134-213-1208](#) [0134-213-2209](#) [0025-258-000](#) [60-042022-02P](#) [60-042022-19P](#) [60-042022-23P](#) [012-0467-000](#) [602GB06EG24-61SN](#) [0134-201-1207](#) [0134-207-2009](#) [0134-213-1006](#) [6104-207-2302](#) [6104-208-1902](#) [6131-202-19149P](#) [6131-204-21149P](#) [6131-207-13149P](#) [6131-208-13149P](#) [6131-209-17149P](#) [6131-210-11149P](#) [6131-211-19149P](#) [6131-216-19149P](#) [6131-220-25149P](#) [6131-259-11149P](#) [6131-259-21149P](#) [6131-259-23149P](#) [6131-263-19149P](#) [6131-265-17149P](#) [6131-265-19149P](#) [6134-203-21149](#) [CS3100A18-1P-472](#) [CS3100A-36-77S](#) [CS3101A36-79S-SR](#) [CS3102A-10SL-53P](#) [CS3102A10SL-64S](#) [CS3102A-20-15S](#) [CS3102A-22-70S](#) [CS3102A-24-79S](#) [CS3102A24-AJS](#) [CS3102A-32-17P](#) [CS3102A32-25S](#) [CS3106A10SL3S004](#) [CS3106A-18-73S](#) [CS3106A-28-20P](#) [CS3106A-32-82S](#) [CS3106A36-79P-SR](#)