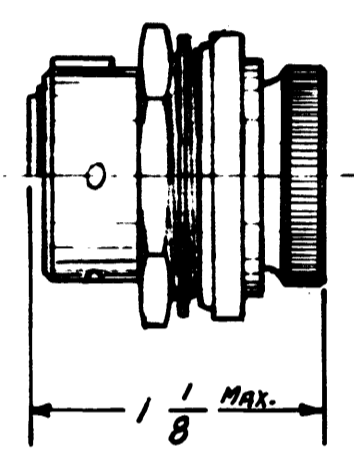


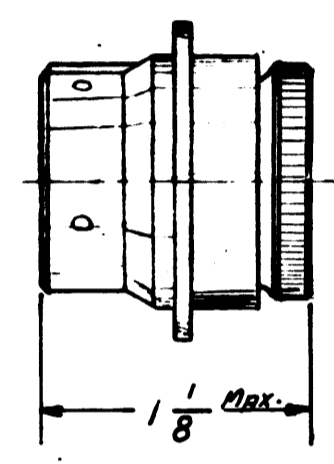
1A MOD

REVISIONS		DATE	APPROVAL
SYM	DESCRIPTION		
	NONE NEW RELEASE ECR 12373	1-10-63	<i>W. J. [Signature]</i>

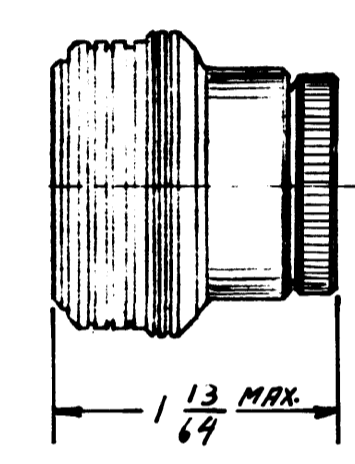
DM9601



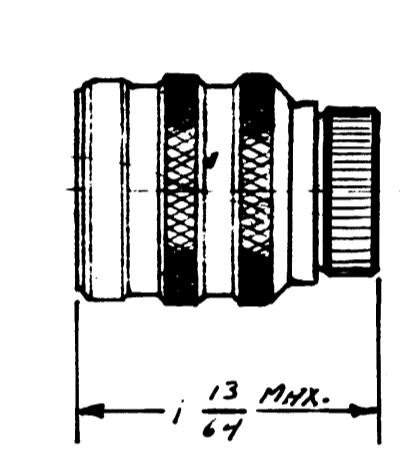
DM9606



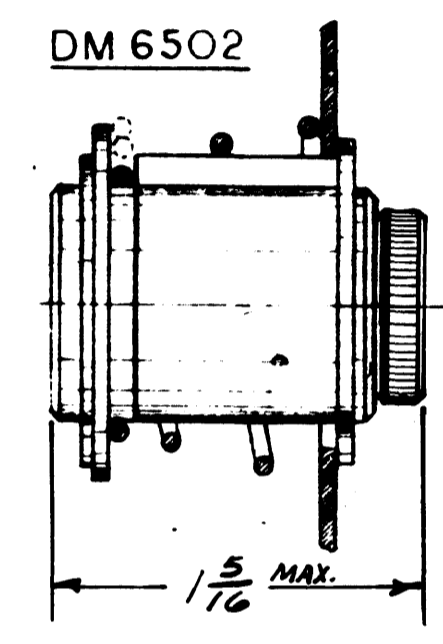
DM9700



DM9718



DM 6502



1A MOD	FOLLOWER & GROMMET OMITTED
--------	----------------------------

1. TO BE USED WITH STD. ENVELOPE DWG. OF CONNECTOR BEING MODIFIED.
NOTES

PART NUMBER		DESCRIPTION																															
LIST OF MATERIAL																																	
<table border="1"> <tr> <td>SYMBOLS</td> <td>QUANTITY</td> <td>DESCRIPTION</td> </tr> <tr> <td>DECIMALS</td> <td></td> <td></td> </tr> <tr> <td>ANGLES</td> <td></td> <td></td> </tr> <tr> <td>MATERIAL</td> <td></td> <td></td> </tr> <tr> <td>FINISH</td> <td></td> <td></td> </tr> </table>	SYMBOLS	QUANTITY	DESCRIPTION	DECIMALS			ANGLES			MATERIAL			FINISH			<table border="1"> <tr> <td>DATE</td> <td>BY</td> <td>APPROVED</td> </tr> <tr> <td>1-10-63</td> <td>W. Brown</td> <td></td> </tr> <tr> <td></td> <td>Kofats</td> <td></td> </tr> <tr> <td></td> <td></td> <td></td> </tr> <tr> <td>APP</td> <td colspan="2">EW/NB 1-22-63</td> </tr> </table>	DATE	BY	APPROVED	1-10-63	W. Brown			Kofats					APP	EW/NB 1-22-63		<p style="text-align: center;">ENVELOPE MODIFICATION OMISSION PLUGS & RECEPTACLES FOR DM ONLY</p> <p>SCALE <i>NONE</i> WT</p>	<p>The Deutch Company ELECTRONIC COMPONENTS DIVISION Municipal Airport - Banning, California</p>
SYMBOLS	QUANTITY	DESCRIPTION																															
DECIMALS																																	
ANGLES																																	
MATERIAL																																	
FINISH																																	
DATE	BY	APPROVED																															
1-10-63	W. Brown																																
	Kofats																																
APP	EW/NB 1-22-63																																
		<p>B 1A MOD</p> <p>DWG SIZE COCE/1139 SHEET 1 OF 1</p>																															

X-ON Electronics

Largest Supplier of Electrical and Electronic Components

Click to view similar products for [Circular MIL Spec Connector](#) category:

Click to view products by [TE Connectivity](#) manufacturer:

Other Similar products are found below :

[0025-262-542](#) [0025-264-3014](#) [58-570121-04S](#) [0134-202-1200](#) [0134-207-1206](#) [0134-207-1800](#) [0134-207-2207](#) [0134-213-0806](#) [0134-213-1007](#) [0134-213-1009](#) [0134-213-1208](#) [0134-213-1800](#) [0134-213-2209](#) [0025-258-000](#) [015-9516-002](#) [60-042722-19P](#) [0114-201-1278](#) [602GB06EG24-61SN](#) [0134-201-1207](#) [0134-201-1806](#) [0134-201-2006](#) [0134-201-2007](#) [0134-201-2010](#) [0134-202-1400](#) [0134-207-0809](#) [0134-207-1208](#) [0134-207-2009](#) [0134-213-1006](#) [6104-207-2302](#) [6104-208-1902](#) [6104-215-0902](#) [6131-202-19149P](#) [6131-204-21149P](#) [6131-207-13149P](#) [6131-208-13149P](#) [6131-209-17149P](#) [6131-210-11149P](#) [6131-211-19149P](#) [6131-216-19149P](#) [6131-220-25149P](#) [6131-259-11149P](#) [6131-259-21149P](#) [6131-259-23149P](#) [6131-263-19149P](#) [6131-265-17149P](#) [6131-265-19149P](#) [CS3102A-20-15P](#) [CS3102C18-4P-472](#) [CS3106A-10SL-53S](#) [CS3106A-10SL-64S](#)