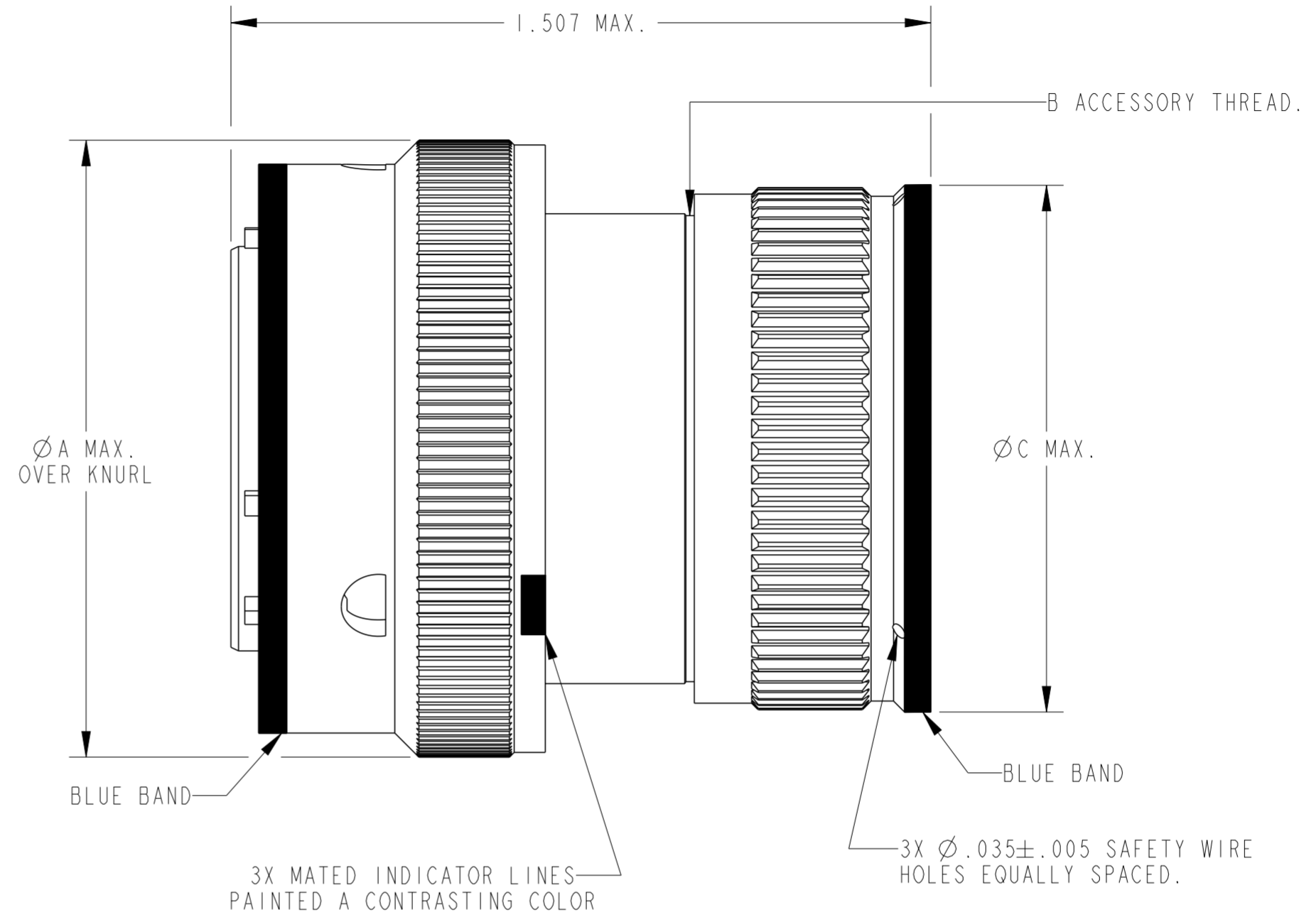
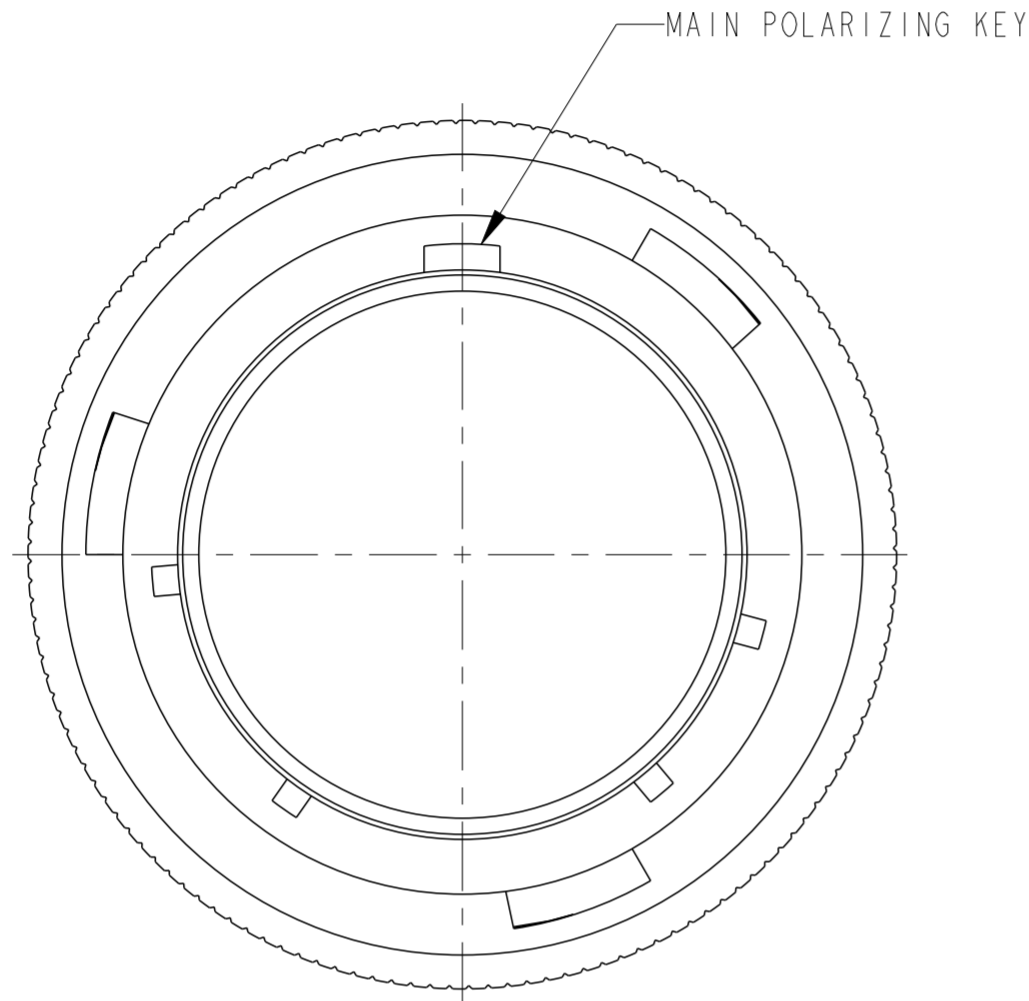


THIS DRAWING IS UNPUBLISHED
 2021 TE Connectivity. All Rights Reserved
 RELEASED FOR PUBLICATION
 ALL RIGHTS RESERVED.

LOC		DIST		REVISIONS			
P	LTR	DESCRIPTION	DATE	DWN	APVD		
D		REVISED PER E.O. C4087	990722	-	MK		
E		REVISED PER ECO-21-000428	210113	IF	AR		
-	-	-	-	-	-		
-	-	-	-	-	-		



PART NUMBER	A MAX	B THREAD	C MAX	MAX. WEIGHT IN LBS	
				PIN	SOC
AFD56-8-xxP/Sx	.782	.500-20 UNF	.617	.0260	.0271
AFD56-10-xxP/Sx	.926	.625-24 UNEF	.734	.0359	.0383
AFD56-12-xxP/Sx	1.043	.750-20 UNEF	.858	.0521	.0554
AFD56-14-xxP/Sx	1.183	.875-20 UNEF	.984	.0673	.0751
AFD56-16-xxP/Sx	1.305	1.000-20 UNEF	1.112	.0798	.0883
AFD56-18-xxP/Sx	1.391	1.0625-18 UNEF	1.218	.0951	.1037
AFD56-20-xxP/Sx	1.531	1.1875-18 UNEF	1.345	.1102	.1213
AFD56-22-xxP/Sx	1.656	1.3125-18 UNEF	1.468	.1318	.1463
AFD56-24-xxP/Sx	1.777	1.4375-18 UNEF	1.593	.1471	.1627

5. FOR AVAILABLE CONTACT ARRANGEMENTS AND ALTERNATE INSERT POSITIONS, SEE INFORMATION DRAWING 0925-209-0000.
4. THE CONNECTOR IS DESIGNED TO MEET THE PERFORMANCE AND DIMENSIONAL REQUIREMENTS OF MIL-C-26482 CLASS R. AND IS SUPPLIED WITH BACKSHELL.
3. FOR BACKSHELL WITH STRAIGHT STRAIN RELIEF OR 90° STRAIN RELIEF, CONSULT FACTORY.
2. CONNECTOR WEIGHTS ARE SHOWN LESS CONTACTS.
1. CONNECTOR FINISH: ELECTROLESS NICKEL PER MIL-C-26074, CLASS 3 GRADE A.

NOTES UNLESS OTHERWISE SPECIFIED:

THIS DRAWING IS A CONTROLLED DOCUMENT.		DWN D. WHITACRE 940630	TE Connectivity															
DIMENSIONS: IN		CHK J. POWELL 940607																
TOLERANCES UNLESS OTHERWISE SPECIFIED:		APVD B. HARRINGTON 940630	NAME CONNECTOR, PLUG															
<table border="0"> <tr> <td>0 PLC</td> <td>±.1</td> </tr> <tr> <td>1 PLC</td> <td>±.02</td> </tr> <tr> <td>2 PLC</td> <td>±.005</td> </tr> <tr> <td>3 PLC</td> <td>±.005</td> </tr> <tr> <td>4 PLC</td> <td>±.0005</td> </tr> <tr> <td>ANGLES</td> <td>±</td> </tr> <tr> <td>FINISH</td> <td>SEE NOTES</td> </tr> </table>		0 PLC	±.1	1 PLC	±.02	2 PLC	±.005	3 PLC	±.005	4 PLC	±.0005	ANGLES	±	FINISH	SEE NOTES	PRODUCT SPEC -	BAYONET COUPLING MIL-C-26482 TYPE	
0 PLC	±.1																	
1 PLC	±.02																	
2 PLC	±.005																	
3 PLC	±.005																	
4 PLC	±.0005																	
ANGLES	±																	
FINISH	SEE NOTES																	
MATERIAL -		APPLICATION SPEC -	SIZE A2	CAGE CODE 111139														
		WEIGHT -	DRAWING NO AFD56-xx-xxP/Sx	RESTRICTED TO -														
CUSTOMER DRAWING			SCALE 1:1	SHEET 1 OF 1														
			REV E															

X-ON Electronics

Largest Supplier of Electrical and Electronic Components

Click to view similar products for [Circular MIL Spec Connector](#) category:

Click to view products by [TE Connectivity](#) manufacturer:

Other Similar products are found below :

[0025-262-542](#) [0025-264-3014](#) [58-570121-04S](#) [0134-202-1200](#) [0134-207-1206](#) [0134-207-1800](#) [0134-207-2207](#) [0134-213-0806](#) [0134-213-1007](#) [0134-213-1009](#) [0134-213-1208](#) [0134-213-1800](#) [0134-213-2209](#) [0025-258-000](#) [015-9516-002](#) [60-042722-19P](#) [0114-201-1278](#) [602GB06EG24-61SN](#) [0134-201-1207](#) [0134-201-1806](#) [0134-201-2006](#) [0134-201-2007](#) [0134-201-2010](#) [0134-202-1400](#) [0134-207-0809](#) [0134-207-1208](#) [0134-207-2009](#) [0134-213-1006](#) [6104-207-2302](#) [6104-208-1902](#) [6104-215-0902](#) [6131-202-19149P](#) [6131-204-21149P](#) [6131-207-13149P](#) [6131-208-13149P](#) [6131-209-17149P](#) [6131-210-11149P](#) [6131-211-19149P](#) [6131-216-19149P](#) [6131-220-25149P](#) [6131-259-11149P](#) [6131-259-21149P](#) [6131-259-23149P](#) [6131-263-19149P](#) [6131-265-17149P](#) [6131-265-19149P](#) [CS3102A-20-15P](#) [CS3102C18-4P-472](#) [CS3106A-10SL-53S](#) [CS3106A-10SL-64S](#)