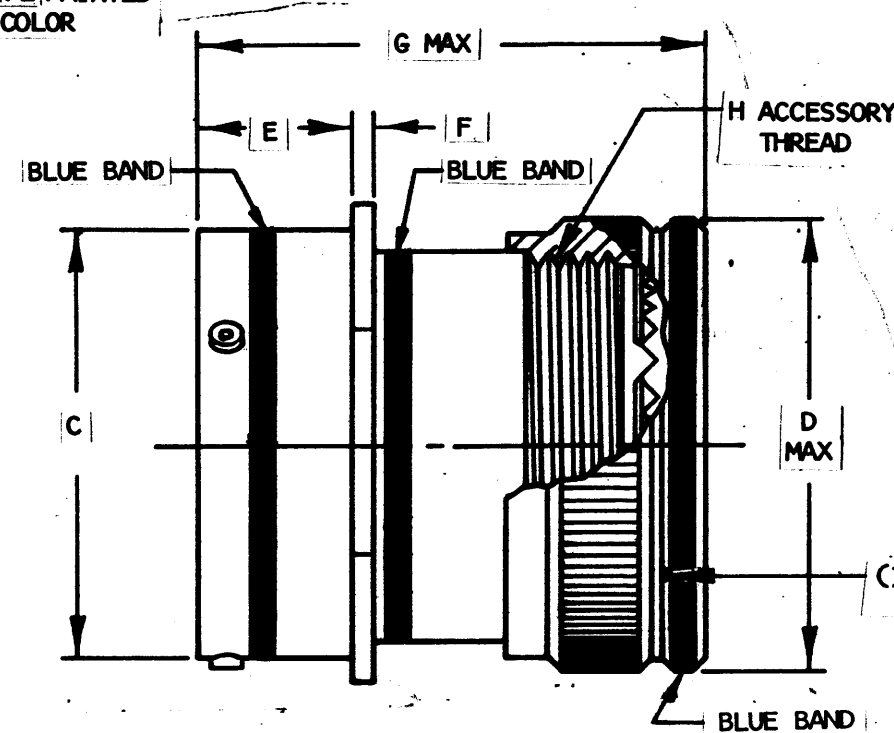
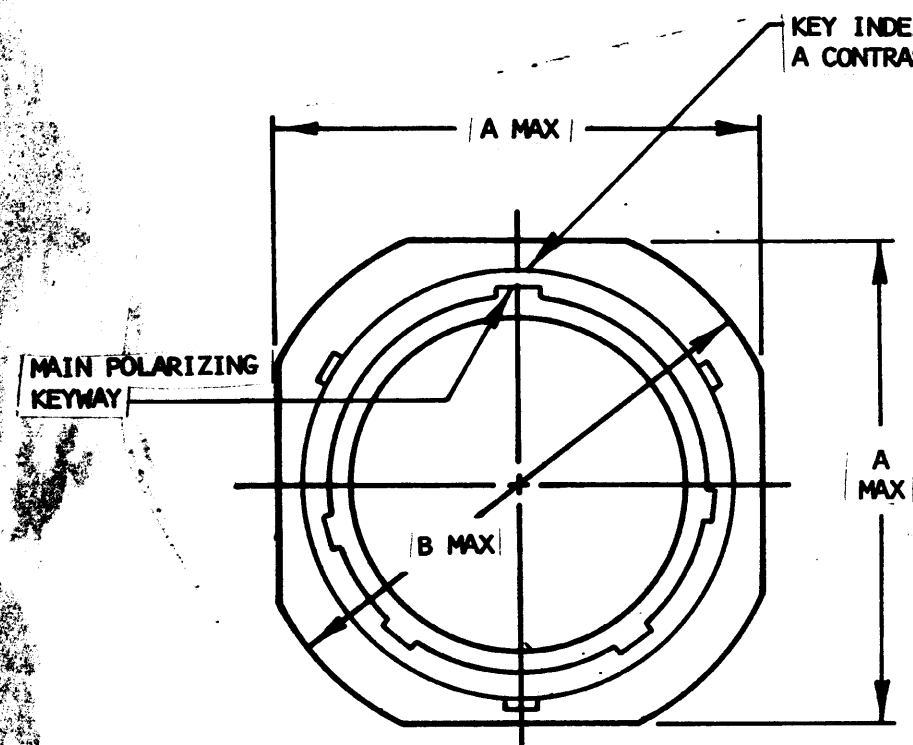


F AFD51-x- ϕ /S*

REVISIONS			
SYM	DESCRIPTION	DATE	BY
F	REVISED PER E.O. 73298	1/25/71	MK



6. CONNECTOR WEIGHTS SHOWN ARE LESS CONTACTS.
5. DIMENSIONS ARE IN INCHES UNLESS OTHERWISE SPECIFIED.
4. FINISH: ELECTROLESS NICKEL.
3. THIS CONNECTOR IS DESIGNED TO MEET THE REQUIREMENTS OF MIL-C-26482, CLASS R EXCEPT SUPPLIED WITH BACKSHELL.
2. FOR RECEPTACLE WITH BACKSHELL WITH STRAIGHT STRAIN RELIEF OR 90° STRAIN RELIEF, CONSULT FACTORY.
1. FOR AVAILABLE CONTACT ARRANGEMENTS AND ALTERNATE INSERT POSITIONS SEE 38500 B SHEETS IN DBA BAYONET COUPLING SECTION IN CATALOG.

PART NO'S	A MAX	B MAX	+0.001 C-.005	D MAX	+0.031 E-.000	F±.016	G MAX	H THREAD	MAX. WEIGHTS IN LBS.
AFD51-8- ϕ /S*	.828	.958	.473	.617	.431	.062	1.492	1/2 - 20 UNF	PIN .0215 SOC .0227
AFD51-10- ϕ /S*	.954	1.082	.590	.734	.431	.062	1.492	5/8 - 24 UNEF	PIN .0299 SOC .0322
AFD51-12- ϕ /S*	1.047	1.176	.750	.858	.431	.062	1.492	3/4 - 20 UNEF	PIN .0434 SOC .0468
AFD51-14- ϕ /S*	1.141	1.270	.875	.984	.431	.062	1.492	7/8 - 20 UNEF	PIN .0550 SOC .0604
AFD51-16- ϕ /S*	1.234	1.364	1.000	1.112	.431	.062	1.492	1 - 20 UNEF	PIN .0642 SOC .0728
AFD51-18- ϕ /S*	1.328	1.458	1.125	1.218	.431	.062	1.492	1 1/16 - 18 UNEF	PIN .0778 SOC .0865
AFD51-20- ϕ /S*	1.453	1.582	1.250	1.345	.556	.094	1.552	1 3/16 - 18 UNEF	PIN .0952 SOC .1066
AFD51-22- ϕ /S*	1.578	1.708	1.375	1.468	.556	.094	1.552	1 5/16 - 18 UNEF	PIN .1117 SOC .1300
AFD51-24- ϕ /S*	1.703	1.832	1.500	1.593	.589	.094	1.552	1 7/16 - 18 UNEF	PIN .1285 SOC .1421

NOTE:

SIGNATURE & DATE	
DR	B.T. Fisher
CHK	8-7-70
PE	Plain 6-4-70
APPD	AK
SCALE	NONE
WT	

RECEPTACLE,
CABLE - CONNECTING,
BAYONET COUPLING CONNECTOR,
MIL-C-26482 TYPE,
AFD
(ENVELOPE)

CP
MIL CODE

The Deutsch Company
ELECTRONIC COMPONENTS DIVISION
Municipal Airport
Baltimore, Md.

B AFD51-x- ϕ /S*

DWG SIZE CODE SHEET 1 OF 1

X-ON Electronics

Largest Supplier of Electrical and Electronic Components

Click to view similar products for [Circular MIL Spec Connector](#) category:

Click to view products by [TE Connectivity](#) manufacturer:

Other Similar products are found below :

[0025-262-542](#) [0025-264-3014](#) [58-570121-04S](#) [0134-202-1200](#) [0134-207-1206](#) [0134-207-1800](#) [0134-207-2207](#) [0134-213-0806](#) [0134-213-1007](#) [0134-213-1009](#) [0134-213-1208](#) [0134-213-1800](#) [0134-213-2209](#) [0025-258-000](#) [015-9516-002](#) [60-042217-10P](#) [60-042722-19P](#) [0114-201-1278](#) [602GB06EG24-61SN](#) [0134-201-1207](#) [0134-201-1806](#) [0134-201-2006](#) [0134-201-2007](#) [0134-201-2010](#) [0134-202-1400](#) [0134-207-0809](#) [0134-207-1208](#) [0134-207-2009](#) [0134-213-1006](#) [6104-207-2302](#) [6104-208-1902](#) [6104-215-0902](#) [6131-202-19149P](#) [6131-204-21149P](#) [6131-207-13149P](#) [6131-208-13149P](#) [6131-209-17149P](#) [6131-210-11149P](#) [6131-211-19149P](#) [6131-216-19149P](#) [6131-220-25149P](#) [6131-259-11149P](#) [6131-259-21149P](#) [6131-259-23149P](#) [6131-263-19149P](#) [6131-265-17149P](#) [6131-265-19149P](#) [CS3102A-20-15P](#) [CS3102A-20-15S](#) [CS3102A-28-15S](#)