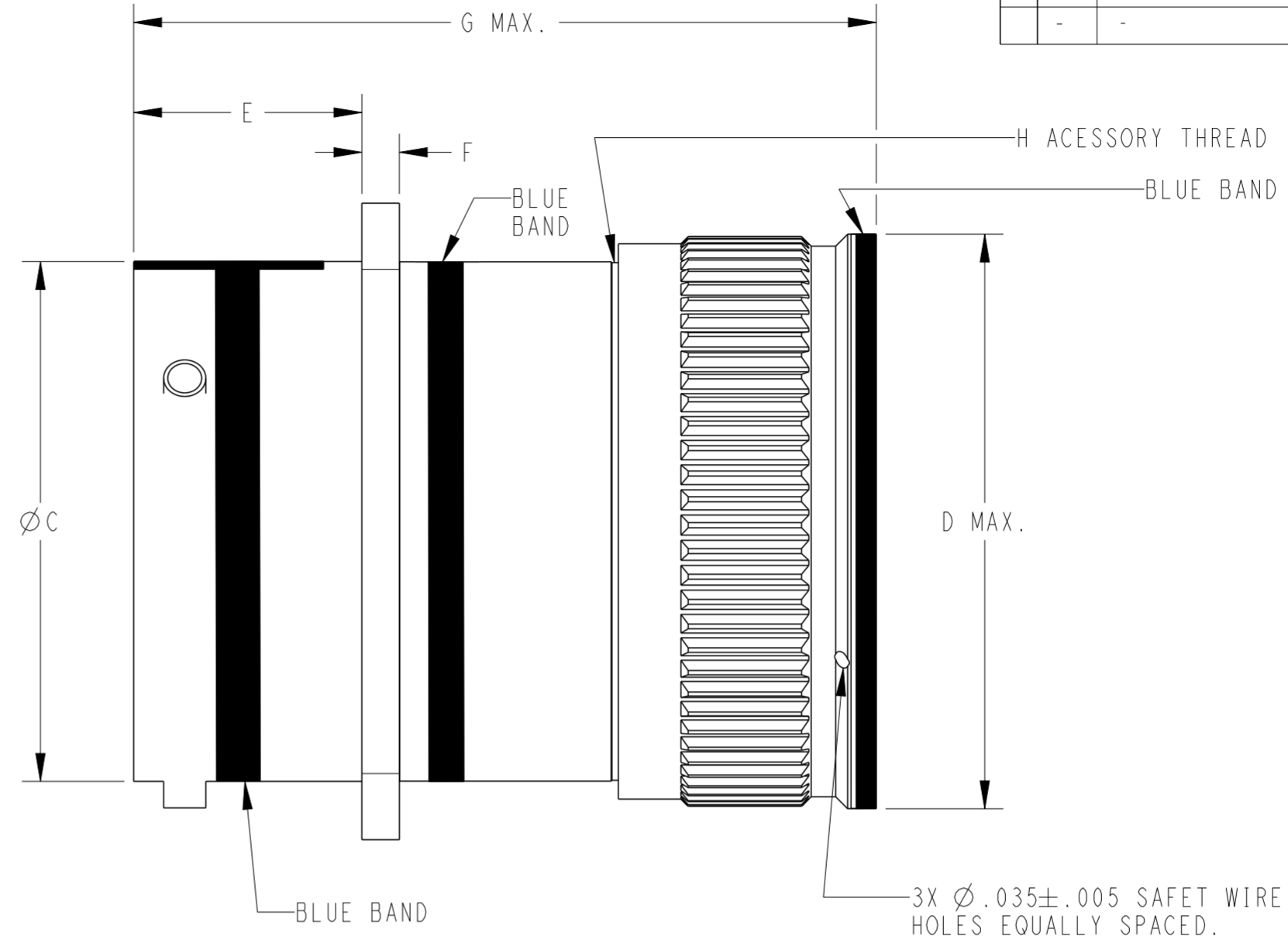
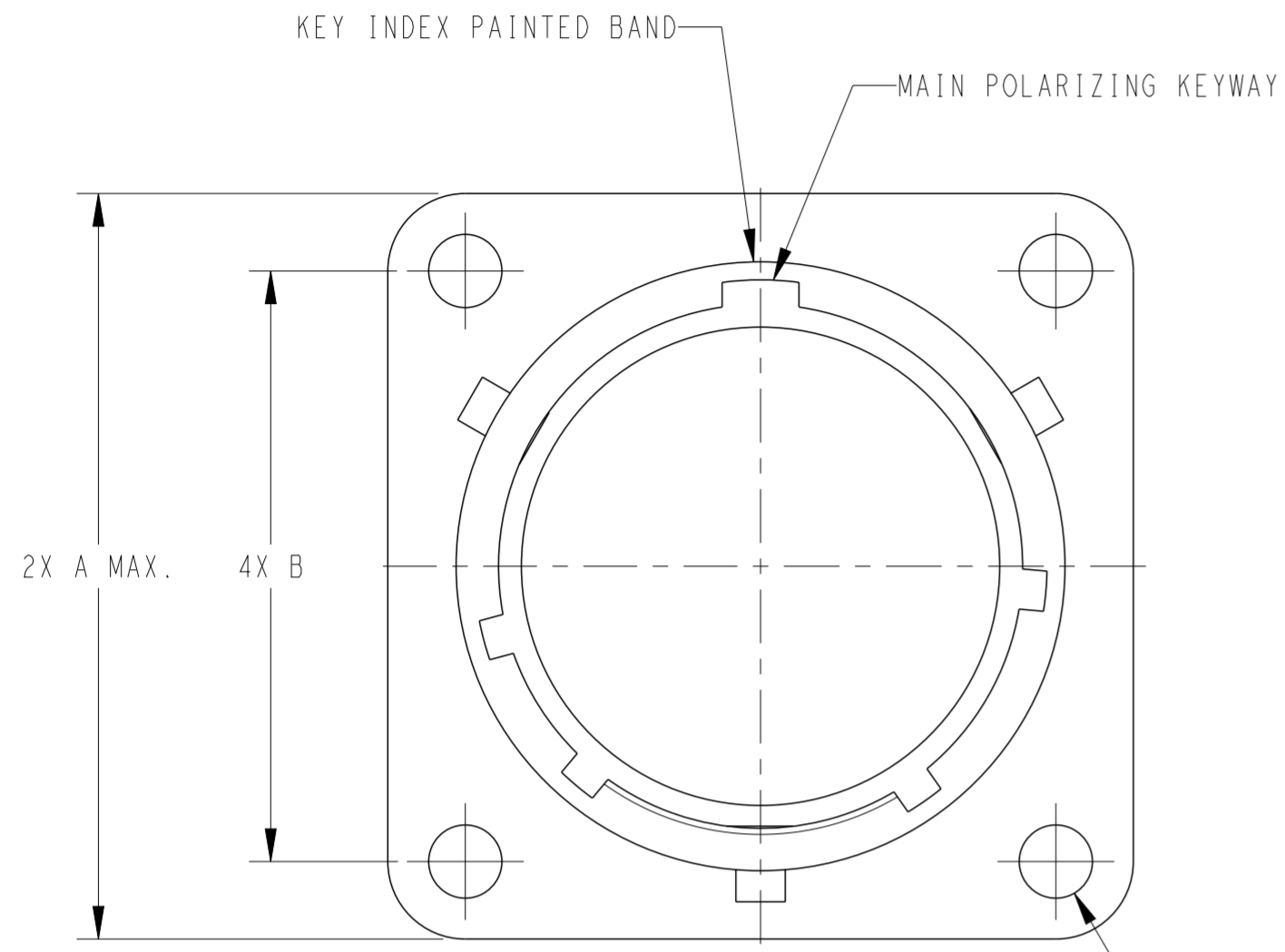


THIS DRAWING IS UNPUBLISHED. 2021 TE Connectivity. All Rights Reserved. RELEASED FOR PUBLICATION ALL RIGHTS RESERVED.

| P | | LTR | DESCRIPTION | DATE | DWN | APVD |
|---|---|-----|---------------------------|--------|-----|------|
| | F | | REVISED PER E.O. C4087 | 990722 | NA | MK |
| | G | | REVISED PER ECO-21-000428 | 210115 | IF | AR |
| | - | | - | - | - | - |
| | - | | - | - | - | - |



4X MOUNTING HOLE Ø.120±.005 FOR SIZES 8 THRU 22 AND Ø.147±.005 HOLE FOR SIZE 24

| PART NUMBER | A MAX | B ±.005 | C +.001 -.005 | D MAX | E +.031 -.000 | F±.015 | G MAX | H THREAD | MAX. WEIGHT IN LBS | |
|-----------------|-------|---------|------------------|-------|------------------|--------|-------|---------------|--------------------|-------|
| | | | | | | | | | PIN | SOC |
| AFD50-8-xxP/Sx | .828 | .594 | .473 | .617 | .431 | .062 | 1.492 | .500-20UNF | .0207 | .0227 |
| AFD50-10-xxP/Sx | .954 | .719 | .590 | .734 | .431 | .062 | 1.492 | .625-24UNEF | .0306 | .0317 |
| AFD50-12-xxP/Sx | 1.047 | .812 | .750 | .858 | .431 | .062 | 1.492 | .750-20-UNEF | .0406 | .0453 |
| AFD50-14-xxP/Sx | 1.141 | .906 | .875 | .984 | .431 | .062 | 1.492 | .875-20UNEF | .0503 | .0555 |
| AFD50-16-xxP/Sx | 1.234 | .969 | 1.000 | 1.112 | .431 | .062 | 1.492 | 1.000-20UNEF | .0632 | .0715 |
| AFD50-18-xxP/Sx | 1.328 | 1.062 | 1.125 | 1.218 | .431 | .062 | 1.492 | 1.0625-18UNEF | .0716 | .0770 |
| AFD50-20-xxP/Sx | 1.453 | 1.156 | 1.250 | 1.345 | .556 | .094 | 1.552 | 1.1875-18UNEF | .0893 | .0902 |
| AFD50-22-xxP/Sx | 1.578 | 1.250 | 1.375 | 1.468 | .556 | .094 | 1.552 | 1.3125-18UNEF | .1018 | .1128 |
| AFD50-24-xxP/Sx | 1.703 | 1.375 | 1.500 | 1.593 | .589 | .094 | 1.552 | 1.4375-18UNEF | .1214 | .1352 |

- CONNECTOR FINISH: ELECTROLESS NICKEL PER MIL-C-26074, CLASS 3 GRADE A.
- CONNECTOR WEIGHTS ARE SHOWN LESS CONTACTS.
- FOR BACKSHELL WITH STRAIGHT STRAIN RELIEF OR 90° STRAIN RELIEF, CONSULT FACTORY.
- THE CONNECTOR IS DESIGNED TO MEET THE PERFORMANCE AND DIMENSIONAL REQUIREMENTS OF MIL-C-26482 CLASS R. AND IS SUPPLIED WITH BACKSHELL.
- FOR AVAILABLE CONTACT ARRANGEMENTS AND ALTERNATE INSERT POSITIONS, SEE INFORMATION DRAWING 0925-209-0000.

NOTES UNLESS OTHERWISE SPECIFIED:

| | | | | | |
|--|--|------------------------------|---|--------------------|-------------------------------|
| THIS DRAWING IS A CONTROLLED DOCUMENT. | | DWN D. WHITACRE 940630 | TE Connectivity | | |
| DIMENSIONS: IN | | CHK J. POWELL 940706 | | | |
| TOLERANCES UNLESS OTHERWISE SPECIFIED: | | APVD B. HARRINGTON 940630 | NAME RECEPTACLE SQUARE FLANGE MTG. BAYONET COUPLING CONNECTOR MIL-C-26482 TYPE | | |
| 0 PLC ±- 1 PLC ±.1 2 PLC ±.01 3 PLC ±.001 4 PLC ±.0001 ANGLES ± | | PRODUCT SPEC MIL-C-26482 | SIZE A2 | CAGE CODE 11139 | DRAWING NO AFD50-xx-xxP/Sx |
| MATERIAL - | | FINISH - | WEIGHT - | RESTRICTED TO - | SCALE 7:2 |
| SEE NOTES | | CUSTOMER DRAWING | SHEET 1 | OF 1 | REV G |

X-ON Electronics

Largest Supplier of Electrical and Electronic Components

Click to view similar products for [Circular MIL Spec Connector](#) category:

Click to view products by [TE Connectivity](#) manufacturer:

Other Similar products are found below :

[0025-262-542](#) [0025-264-3014](#) [58-570121-04S](#) [0134-202-1200](#) [0134-207-1206](#) [0134-207-1800](#) [0134-207-2207](#) [0134-213-0806](#) [0134-213-1007](#) [0134-213-1009](#) [0134-213-1208](#) [0134-213-1800](#) [0134-213-2209](#) [0025-258-000](#) [015-9516-002](#) [60-042217-10P](#) [60-042722-19P](#) [0114-201-1278](#) [602GB06EG24-61SN](#) [0134-201-1207](#) [0134-201-1806](#) [0134-201-2006](#) [0134-201-2007](#) [0134-201-2010](#) [0134-202-1400](#) [0134-207-0809](#) [0134-207-1208](#) [0134-207-2009](#) [0134-213-1006](#) [6104-207-2302](#) [6104-208-1902](#) [6131-202-19149P](#) [6131-204-21149P](#) [6131-207-13149P](#) [6131-208-13149P](#) [6131-209-17149P](#) [6131-210-11149P](#) [6131-211-19149P](#) [6131-216-19149P](#) [6131-220-25149P](#) [6131-259-11149P](#) [6131-259-21149P](#) [6131-259-23149P](#) [6131-263-19149P](#) [6131-265-17149P](#) [6131-265-19149P](#) [CS3102A-20-15P](#) [CS3102A-20-15S](#) [CS3102A-28-15S](#) [CS3106A-10SL-53S](#)