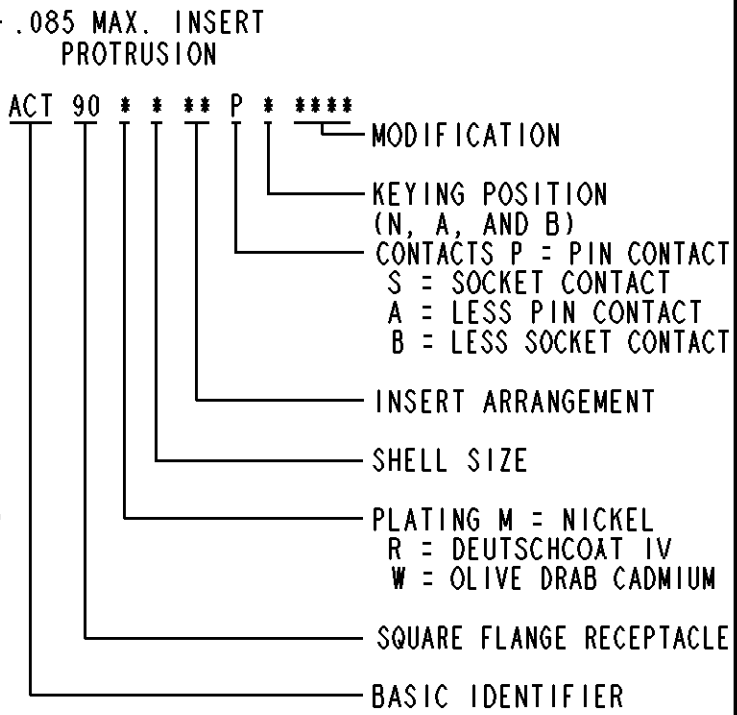
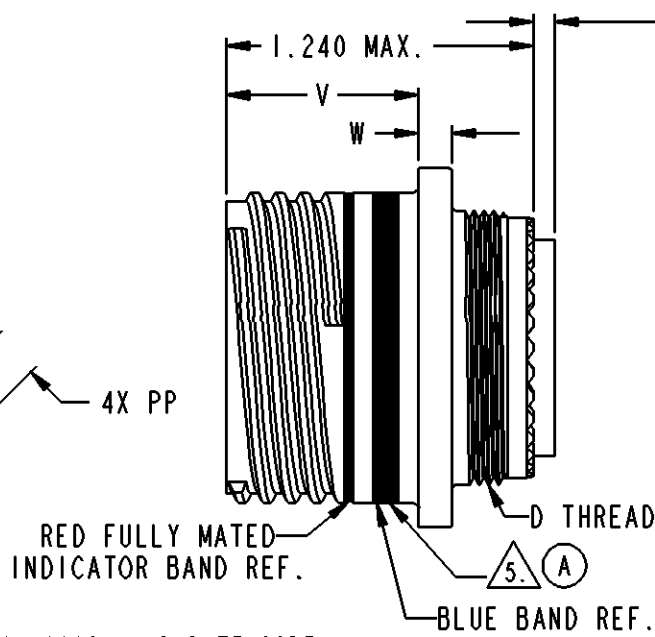
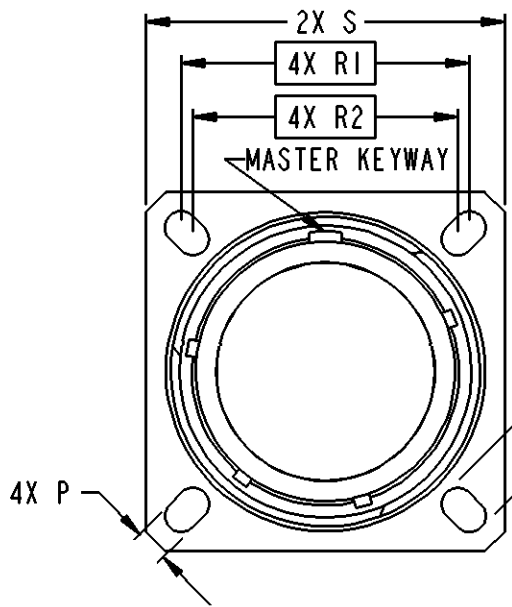


PROPERTY OF DEUTSCH E.C.D.

This drawing contains proprietary information that shall not be disclosed, duplicated, nor used in whole or in part for any purpose other than to evaluate this drawing.

A ACT90\*\*\*\*P/S\*

REVISIONS			
REV	DESCRIPTION	DATE	APPROVED
-	NEW RELEASE PER E.O. C5082	010910	A.R.
A	REVISED AND REDRAWN PER. E.O. C6988	071025	M.A.



5. MARK ASSEMBLY NUMBER, DEUTSCH (OR SYMBOL), 11139 AND DATE CODE WHERE INDICATED BY VIDEO JETTING PER DPS 1-141-18, TYPE IV OF V, CLASS (A), COLOR BLACK. CAUTION: DO NOT EXCEED 310°

4. FOR APPLICABLE KEYING DIAGRAM, SEE MIL-DTL-38999. FOR INSERT ARRANGEMENTS, SEE MIL-STD-1560. CONSULT FACTORY FOR AVAILABILITY.

3. GENERAL SPECIFICATIONS: THIS CONNECTOR MEETS THE INTERMATEABILITY REQUIREMENTS OF MIL-DTL-38999 SERIES III.

2. MATERIAL / FINISH:  
SHELL - COMPOSITE, PLATED.  
CONTACTS - COPPER ALLOY, DEUTSCHCOAT V.  
RESILIENT INSERTS - SILICONE ELASTOMER.  
PLASTIC INSERTS - THERMOPLASTIC.

1. ALL DIMENSIONS ARE IN INCHES UNLESS OTHERWISE SPECIFIED. THREAD CALLOUT IS METRIC.

DEUTSCH PART NO.	SHELL SIZE	D THREAD	P +.004 -.002	PP +.004 -.002	R1	R2	S ±.011	V +.055 -.000	W
ACT90*A**P/S*	9	M12X1.0-6g 0.100R	.128	.216	.719	.594	.937	.768	.144/.083
ACT90*B**P/S*	11	M15X1.0-6g 0.100R	.128	.194	.812	.719	1.031	.768	.144/.083
ACT90*C**P/S*	13	M18X1.0-6g 0.100R	.128	.194	.906	.812	1.126	.768	.144/.083
ACT90*D**P/S*	15	M22X1.0-6g 0.100R	.128	.173	.969	.906	1.220	.768	.144/.083
ACT90*E**P/S*	17	M25X1.0-6g 0.100R	.128	.194	1.062	.969	1.311	.768	.144/.083
ACT90*F**P/S*	19	M28X1.0-6g 0.100R	.128	.194	1.156	1.062	1.437	.768	.144/.083
ACT90*G**P/S*	21	M31X1.0-6g 0.100R	.128	.194	1.250	1.156	1.563	.736	.171/.083
ACT90*H**P/S*	23	M34X1.0-6g 0.100R	.154	.242	1.375	1.250	1.689	.736	.171/.083
ACT90*J**P/S*	25	M37X1.0-6g 0.100R	.154	.242	1.500	1.375	1.811	.736	.171/.083

SIGNATURE & DATE	
DR	D. WHITACRE 010907
CHK	A. RASMUSSEN 010910
PE	D. WHITACRE 010907
APPD	EH SAN LATIF 071026
SCALE	NONE
WT	

CONNECTOR, RECEPTACLE  
SQUARE FLANGE MOUNTING  
THREADED COUPLING  
ACT SERIES

INFORMATION

CP

MATI CODE

**DEUTSCH**  
ENGINEERED CONNECTING DEVICES  
5733 W. Whittier Ave.  
Hemet, California

ACT90\*\*\*\*P/S\*

CODE 11139

SHEET 1 OF 1

## X-ON Electronics

Largest Supplier of Electrical and Electronic Components

*Click to view similar products for [Circular MIL Spec Connector](#) category:*

*Click to view products by [TE Connectivity](#) manufacturer:*

Other Similar products are found below :

[89075GULPR](#) [0025-262-542](#) [0025-264-3014](#) [58-570121-04S](#) [0134-213-1208](#) [0134-213-2209](#) [0025-258-000](#) [60-042022-07P](#) [60-042022-19P](#)  
[60-042022-23P](#) [60-042217-10P](#) [0114-201-1278](#) [012-0467-000](#) [602GB06EG24-61SN](#) [0134-201-1207](#) [0134-213-1006](#) [6104-207-2302](#) [6104-](#)  
[208-1902](#) [61-168211-04P](#) [61-168617-10P](#) [6131-202-19149P](#) [6131-204-21149P](#) [6131-208-13149P](#) [6131-209-17149P](#) [6131-210-11149P](#) [6131-](#)  
[211-19149P](#) [6131-216-19149P](#) [6131-259-21149P](#) [6131-259-23149P](#) [6131-265-17149P](#) [6131-265-19149P](#) [CS3100A18-1P-472](#) [CS3100A-36-](#)  
[77P](#) [CS3101A-16-55P](#) [CS3102A-10SL-55P](#) [CS3102A-14S-58P](#) [CS3102A-32-17P](#) [CS3102A32-25S](#) [CS3102C18-4P-472](#)  
[CS3106A10SL3S004](#) [CS3106A-18-73S](#) [CS3108A-14S-52S](#) [CS3108A-28-51S](#) [6162-233-1277](#) [6162-324-1231](#) [M243082296Z](#)  
[M2884010AC1S1](#) [CT0-24-10SC](#) [CT0M20-7PCAU](#) [M28840/17AC1G3](#)