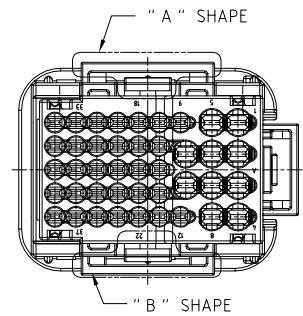
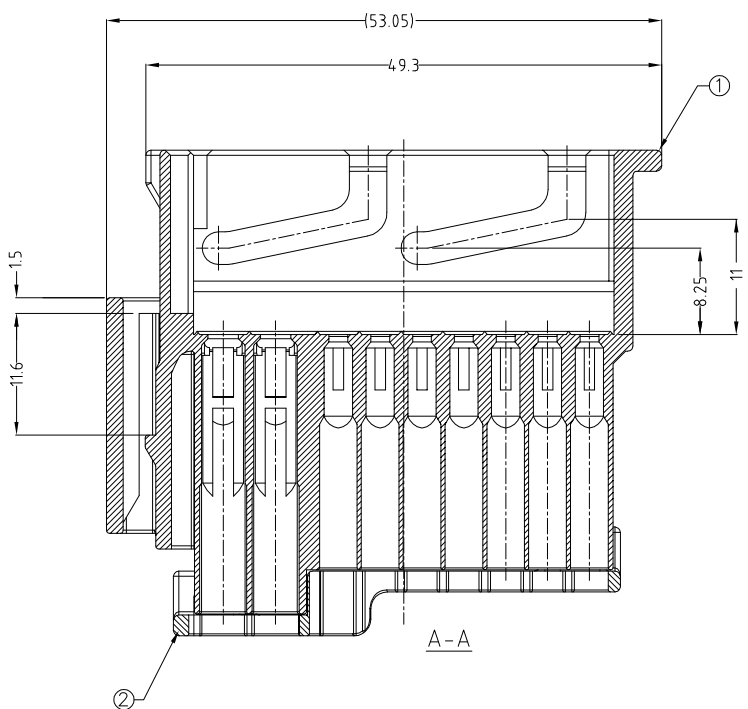
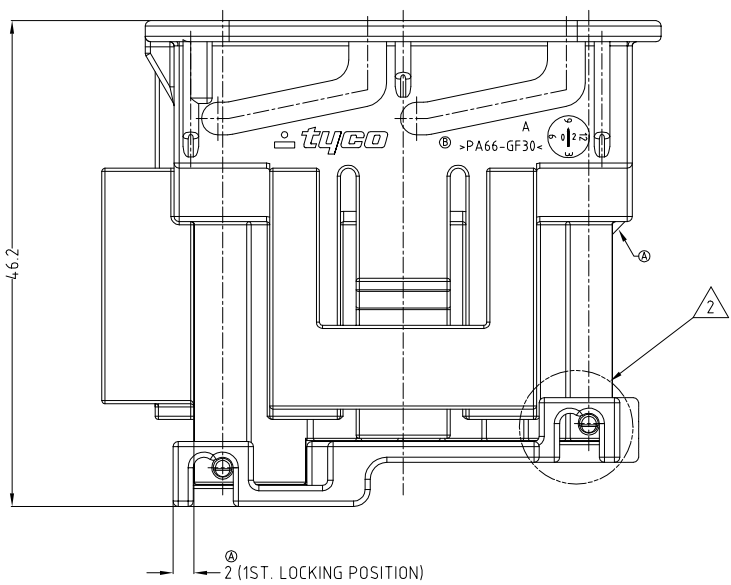
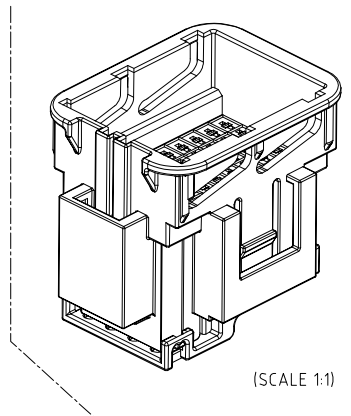
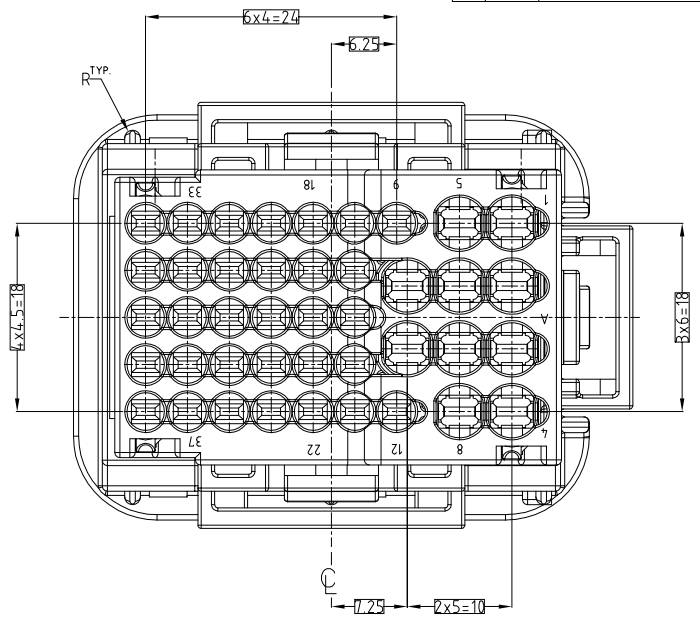
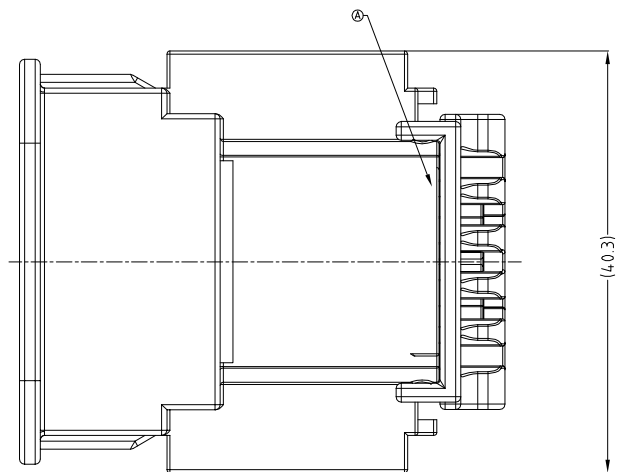
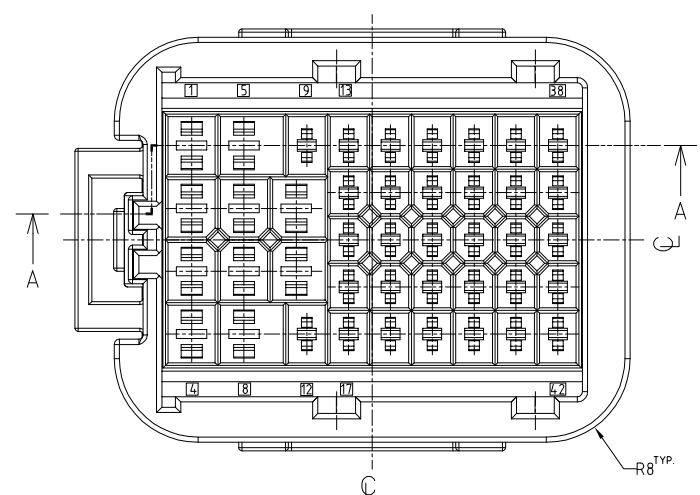


LOC	DIST	REVISIONS					
		P	LTR	DESCRIPTION	DATE	DWN	APVD
DS		0		RELEASED(FC00-0113-03)	22/AUG/03	MS	CS
		A		REVISED(FC00-0027-04)	13/FEB/04	MS	CS
		B		REVISED(FC00-0189-04)	18/AUG/04	YD	CS
		C		REVISED(FC00-0228-04)	21/SEP/04	YD	CS
		C1		REVISED(ECR-15-001871)	02/DEC/14	EW	HG



POSITION OF MOUNTING POCKET  
(CONVERSION PART TYPE)

PART NO.	SHAPE "A"	SHAPE "B"
2-936429-3	○	NONE
2-936429-2	○	NONE
1-936429-2	NONE	○
0-936429-4	○	○
0-936429-2	○	○

- NOTES:
- GENERAL TOLERANCE IS ±0.3
  - CONDITION OF DELIVERY :  
DBL IN 1ST LOCKING POSITION
  - APPLIED PLUG ASS'Y P/N: X-936421-X  
APPLIED INNER SEAL P/N: 0-936863-1  
APPLIED WIRE COVER P/N: 0-936614-2
  - APPLIED TAB CONTACT P/N: TABLE 1

ASSEMBLY P/NO.

2-936429-3	2-936429-2	1-936429-2	0-936429-4	0-936429-2
1	1	1	1	1

NO.	P/N	DESCRIPTION	MATERIAL	COLOR	Q'TY
②	0-936430-5	DBL HSG	PBT GF30	YELLOW	1
①	2-936424-3	CAP HSG	PA66 GF30	DARK GRAY	1
①	2-936424-2	CAP HSG	PA66 GF30	BLACK	1
①	1-936424-2	CAP HSG	PA66 GF30	BLACK	1
①	0-936424-4	CAP HSG	PA66 GF30	BROWN	1
①	0-936424-2	CAP HSG	PA66 GF30	BLACK	1

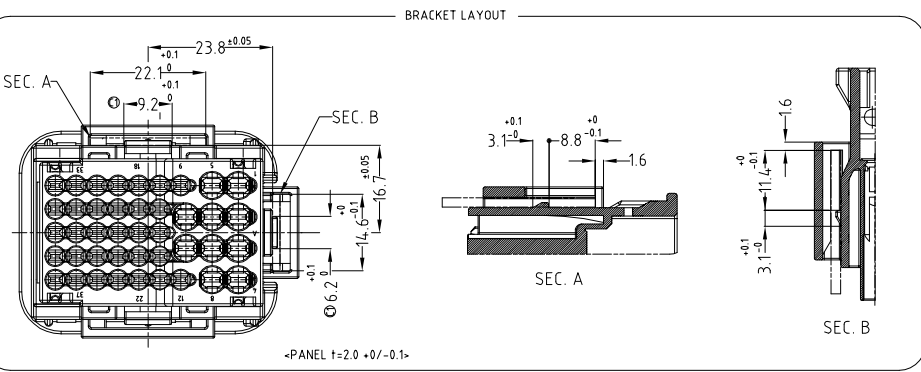


TABLE 1-

TYPE	Part NO.	WIRE SIZE(mm <sup>2</sup> )	FINISH
MT II	0-963902-1	0.25-0.5	CuSn4
	0-963902-3		CuSn4(GOLD)
	0-963904-1	0.5-1.0	CuSn4
0-963904-3	CuSn4(GOLD)		
JPT	1-962915-1	0.5-0.85	CuSn4
	1-962915-3		CuSn4(GOLD)
	1-962916-1	1.25-2.0	CuSn4
1-962916-3	CuSn4(GOLD)		

DIMENSIONS: mm		TOLERANCES UNLESS OTHERWISE SPECIFIED:	
3rd ANGLE PROJECTION		0-XX-10	± 0.2
MATERIAL		10-XX-30	± 0.25
SEE TABLE		30-XX	± 0.3
		ANGLES	± 3°
		FINISH	

TE Connectivity

CAP ASSEMBLY FOR MTII/JPT HYBRID SEALED 42P CONN'R

SIZE: A2 CAGE CODE: 00779 DRAWING NO: 936429

SCALE: 2/1 SHEET: 1 OF 1 REV: C1

## X-ON Electronics

Largest Supplier of Electrical and Electronic Components

*Click to view similar products for [Automotive Connectors](#) category:*

*Click to view products by [TE Connectivity](#) manufacturer:*

Other Similar products are found below :

[003-018-000](#) [60403001](#) [60993906-B](#) [M902-2131](#) [M902-2161](#) [72.330.1035.1](#) [73.353.4028.0](#) [F119300-B](#) [F166900](#) [F258300-B](#) [F358300-B](#)  
[F407400](#) [F444110](#) [F487000](#) [F509500B-B](#) [827153-1](#) [8N1515-32-24P](#) [9-1326729-8](#) [925474-1](#) [928905-1](#) [964562-4](#) [968782-1](#) [GT17SA-8DS-](#)  
[HU](#) [98891-1012](#) [98947-1016](#) [12004147](#) [12004475-L](#) [12010290](#) [12010309-B](#) [12015454](#) [12020219-B](#) [12020308](#) [12041318-B](#) [12052225-L](#)  
[12052466](#) [12059125](#) [12064869](#) [12004327-B](#) [12010503-B](#) [12015308](#) [12015384](#) [12015909](#) [1-21030-1](#) [12041254](#) [12041318](#) [12047946-B](#)  
[12047957](#) [12047957-L](#) [12059473](#) [12066261](#)