

4

3

2

1

THIS DRAWING IS UNPUBLISHED.

RELEASED FOR PUBLICATION

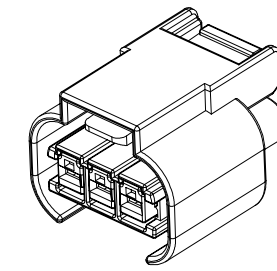
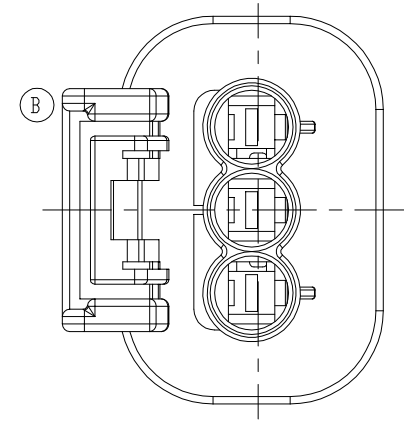
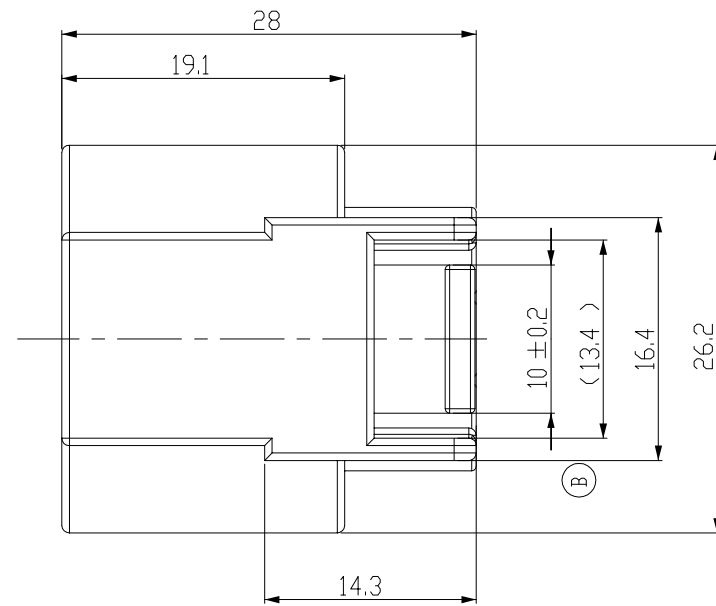
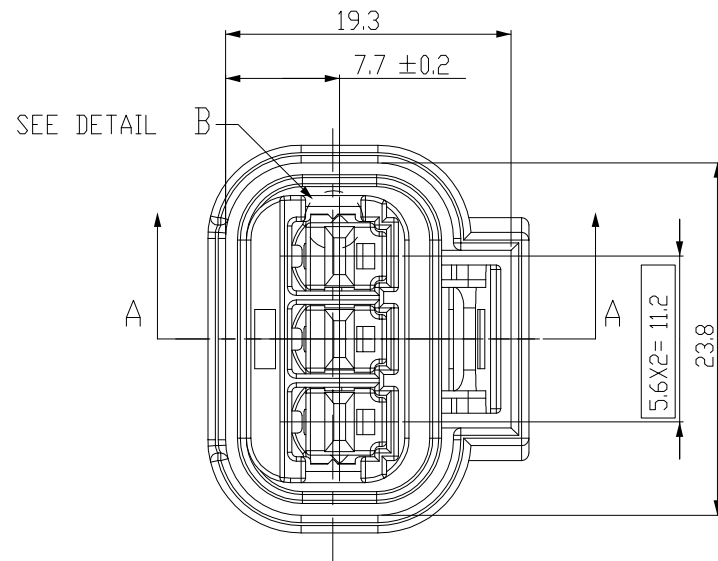
20

REVISIONS

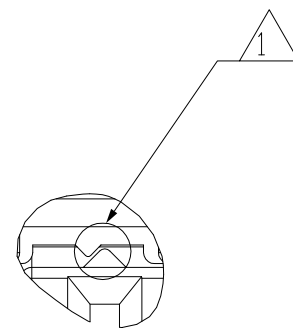
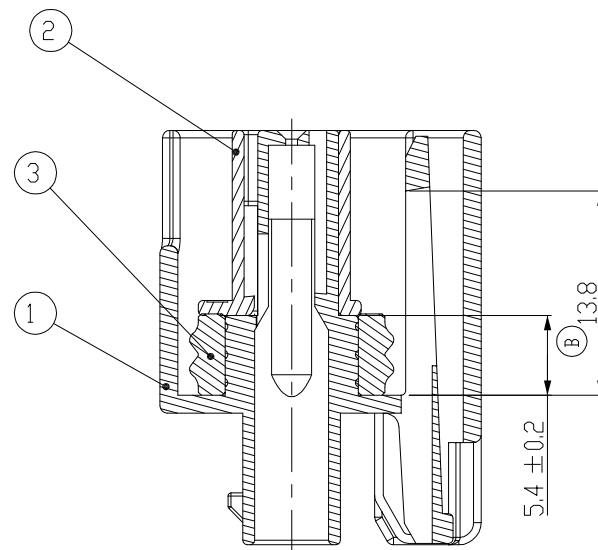
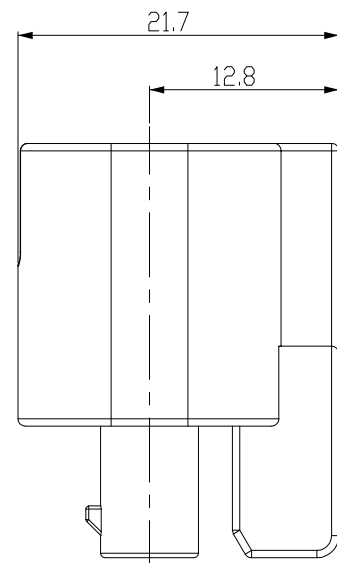
© COPYRIGHT 20 BY - TE Connectivity

ALL RIGHTS RESERVED.

P	LTR	DESCRIPTION	DATE	DWN	APVD
	B	REVISED (ECR-15-003538)	16.NOV.'15	SJ	HG



3D VIEW (SCALE 1:1)



DETAIL B SCALE 5:1

NOTE.

- 1. CONDITION OF DELIVERY : DBL PLATE IN OPEN POSITION
- 2. APPLIED RECEPTACLE CONTACT P/N

CONTACT	JPT TERMINAL		
Part No.	927772-3	927770-3	927766-3
WIRE SIZE(mm <sup>2</sup> )	0.3	0.5-1.0	1.5-2.5

- 3. APPLIED MALE CONNECTOR P/N : 936292-2
- 4. APPLIED WIRE COVER HSG P/N : 936312-1 (CORRUGATOR DIA : Ø5)

5. GENERAL TOLERANCE : ±0.25 , ±3°

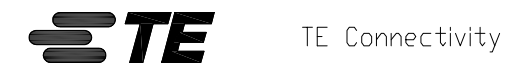
NO.	DESCRIPTION	MATERIAL	COLOR	Q'TY
3	INNER SEAL	SILICONE	RED ORANGE	1
2	DBL HSG	PBG GF10	WHITE	1
1	PLUG HSG	PBT	GRAY	1
			BLACK	-

ASSY P/N
936251-3
936251-2

THIS DRAWING IS A CONTROLLED DOCUMENT.

DIMENSIONS:	TOLERANCES UNLESS OTHERWISE SPECIFIED:
mm	
SECTION	0 PLC ±
	1 PLC ±
	2 PLC ±
	3 PLC ±
	4 PLC ±
	ANGLES ±
MATERIAL	FINISH ±

DWN  
SJ CHOI  
CHK  
JW JUNG  
APVD  
HG CHO  
PRODUCT SPEC  
APPLICATION SPEC  
WEIGHT  
CUSTOMER DRAWING



090 SEALED 3P PLUG ASSY

SIZE	CAGE CODE	DRAWING NO	RESTRICTED TO
A3	00779	C=936251	-

SCALE 2:1 SHEET 1 OF 1 REV B

## X-ON Electronics

Largest Supplier of Electrical and Electronic Components

*Click to view similar products for [Automotive Connectors](#) category:*

*Click to view products by [TE Connectivity](#) manufacturer:*

Other Similar products are found below :

[003-018-000](#) [60993906-B](#) [M902-2131](#) [M902-2161](#) [M902-2344](#) [72.330.1035.1](#) [73.353.4028.0](#) [F166900](#) [F358300-B](#) [F407400](#) [776880-1](#)  
[827153-1](#) [8N1515-32-24P](#) [9-1326729-8](#) [925474-1](#) [928905-1](#) [964562-4](#) [968782-1](#) [98891-1012](#) [12004475-L](#) [12020308](#) [12041318-B](#)  
[12052466](#) [12059716](#) [12064869](#) [12015909](#) [1-21030-1](#) [12041254](#) [12041318](#) [12047946-B](#) [12110546-B](#) [12131792](#) [12084688](#) [12092346](#)  
[HD34-18-14PT](#) [HD46-24-23SN-059](#) [HDB36-24-16PN-059](#) [HDP26-24-9SE-L015](#) [12185280](#) [12185550](#) [12336-12](#) [12191172-B](#) [12S](#)  
[13545280](#) [13577943](#) [13681974](#) [13737722-B](#) [13830674](#) [13832576](#) [13849772](#)