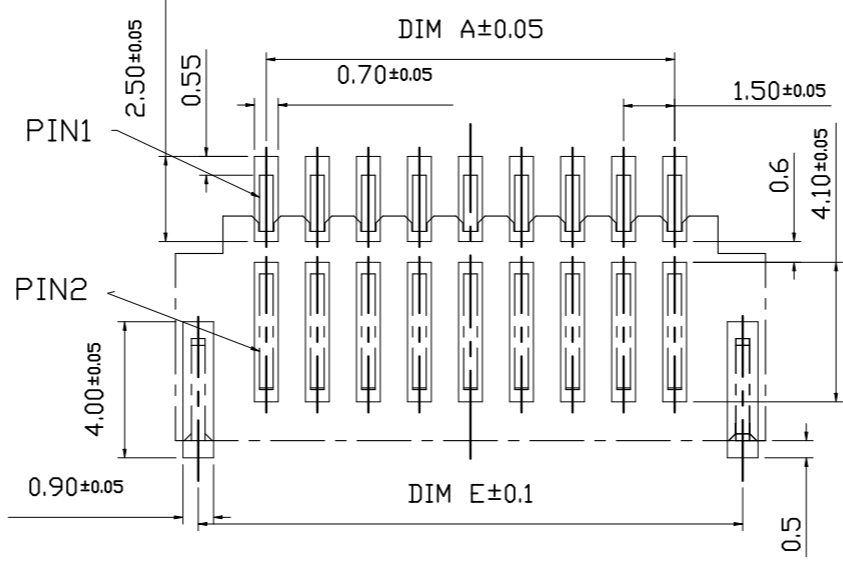
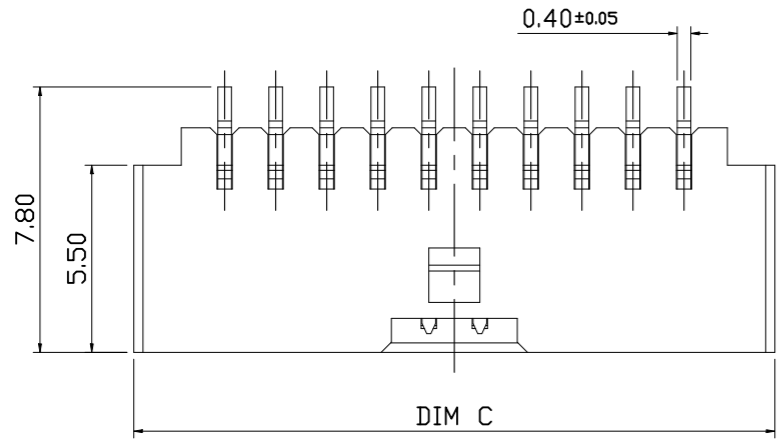
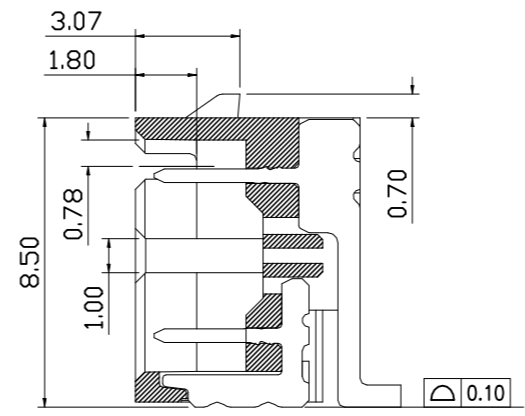
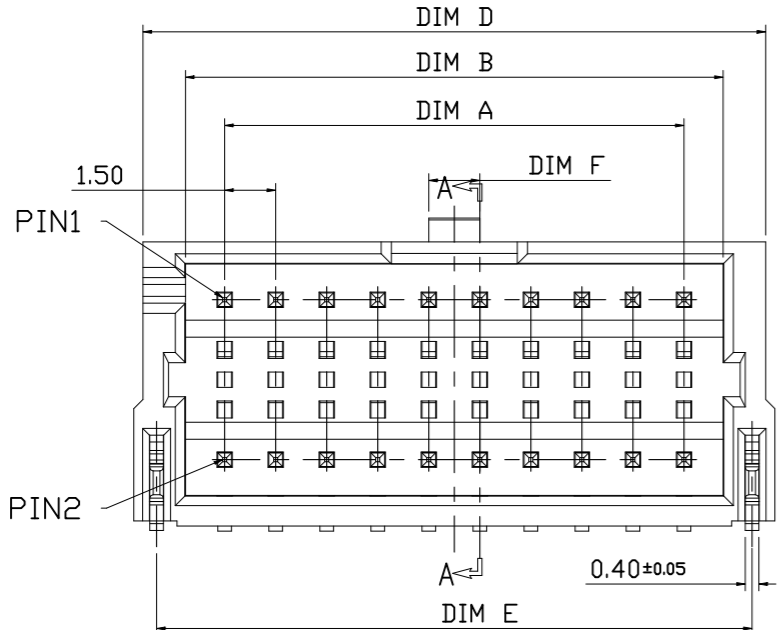


P	LTR	DESCRIPTION	DATE	DWN	APVD
A1	ECR-21-121877		16JUN2022	J.J	H.L

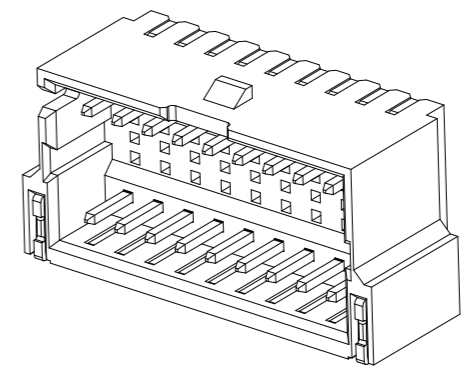


PCB PATTERN LAYOUT
GENERAL TOLERANCE ±0.05

- NOTES:
- MATERIAL:
 - 1.1 HOUSING: THERMOPLASTIC, HIGH TEMP.,UL94V-0. COLOR:SEE PART NUMBER
 - 1.2 CONTACT: Boway ALLOY .
 - 1.3 FITTING NAIL: STAINLESS STEEL
 - FINISH:
 - 2.1 CONTACT:
 - 50u" MIN NICKEL UNDERPLATING OVERALL.
 - TYPE 1: 100u" MIN MATT TIN PLATING OVERALL
 - TYPE 2: GOLD FLASH ON CONTACT AND SOLDER
 - 2.2 FITTING NAIL:
 - 50u" MIN NICKEL UNDER PLATING OVERALL
 - 60u" MATT MIN TIN PLATING OVERALL
 - REFLOW SOLDER CAPABLE TO 260°C



SECTION A-A
SCALE 1:1

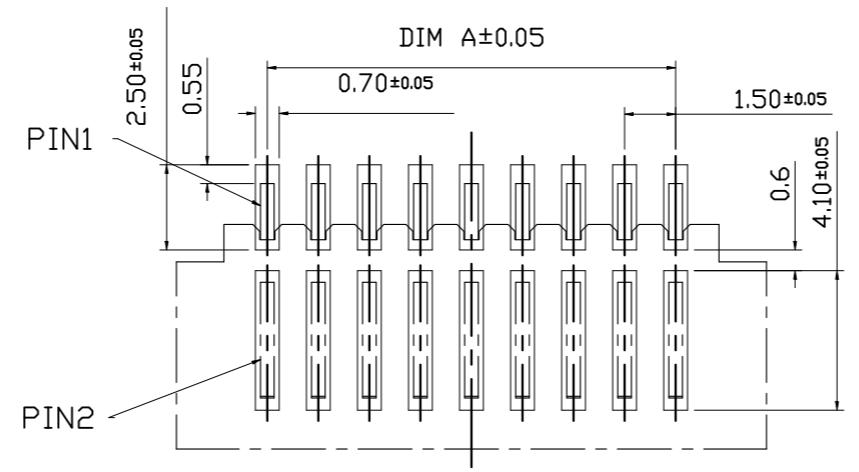
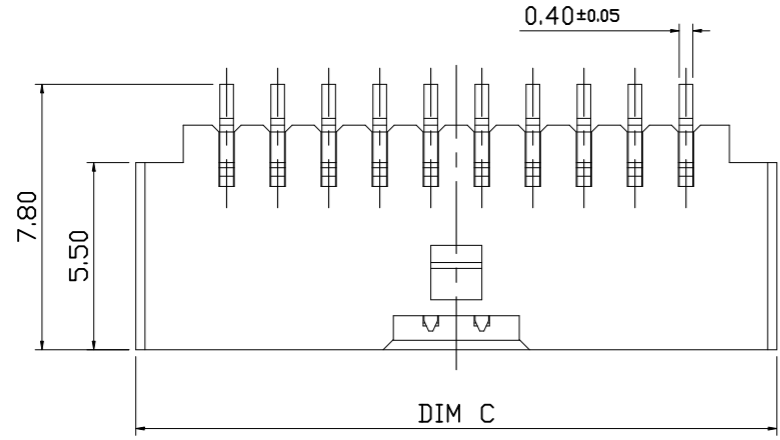


COLOR	DIM F	DIM E	DIM D	DIM C	DIM B	DIM A	Pos.No	P/N	
								TYPE 2	TYPE 1
BLACK	3.00	25.00	25.80	26.34	23.30	21.00	30	3-2394521-3	2-2394521-3
	1.50	17.50	18.30	18.84	15.80	13.50	20	3-2394521-2	2-2394521-2
NATURAL		10.00	10.80	11.34	8.30	6.00	10	3-2394521-1	2-2394521-1
	3.00	25.00	25.80	26.34	23.30	21.00	30	1-2394521-3	2394521-3
1.50		17.50	18.30	18.84	15.80	13.50	20	1-2394521-2	2394521-2
	10.00	10.80	11.34	8.30	6.00	10	1-2394521-1	2394521-1	

THIS DRAWING IS A CONTROLLED DOCUMENT.	
DIMENSIONS: mm	TOLERANCES UNLESS OTHERWISE SPECIFIED:
	0 PLC ± 0.5
	1 PLC ± 0.25
	2 PLC ± 0.15
	3 PLC ± 0.1
	4 PLC ± -
ANGLES ± 2°	
MATERIAL	FINISH
NOTE 1	NOTE 2

DWN Tommy Qian 12APR2021	TE Connectivity Ltd.			
CHK Niki Shi 12APR2021				
APVD Niki Shi 12APR2021				
NAME				
PRODUCT SPEC 108-115188	1.5mm PITCH WTB Conn. SMT R/A TYPE DOUBLE ROW			
APPLICATION SPEC	SIZE	CAGE CODE	DRAWING NO	RESTRICTED TO
WEIGHT N/A	A3	00779	C-2394521	-
CUSTOMER DRAWING	SCALE N/A	SHEET 1 OF 7	REV A1	

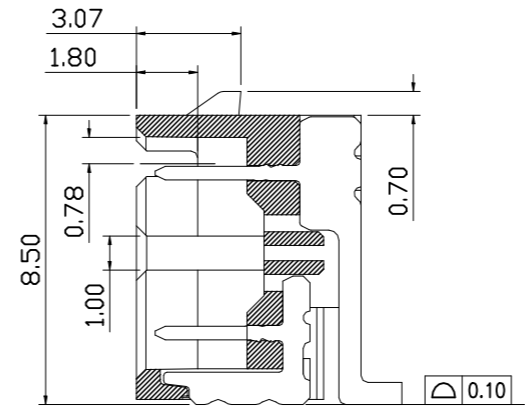
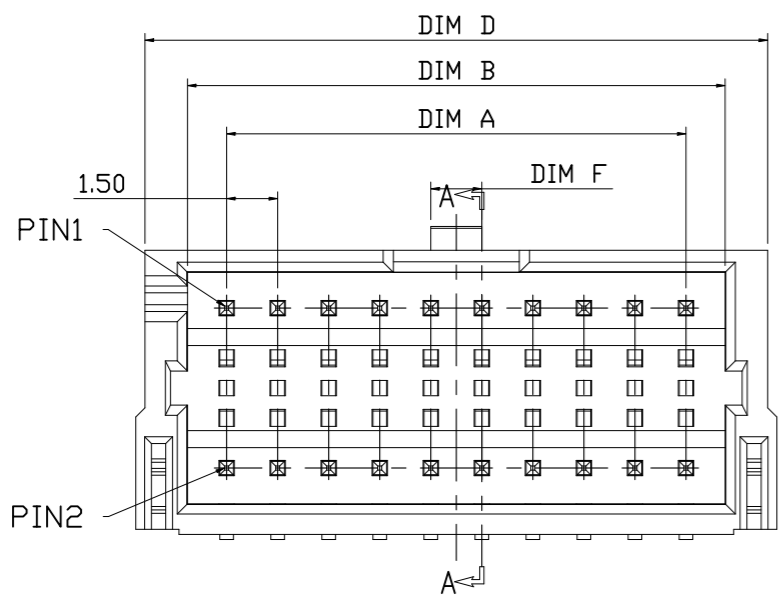
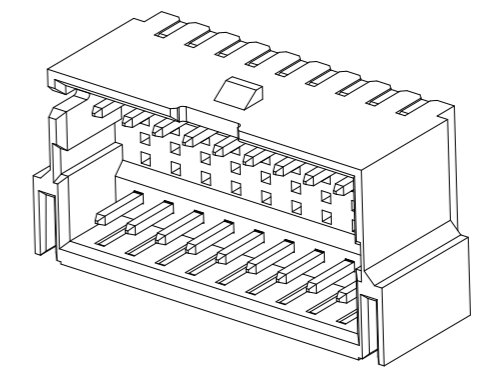
P	LTR	DESCRIPTION	DATE	DWN	APVD
-	-	SEE SHEET 1	-	-	-



PCB PATTERN LAYOUT
GENERAL TOLERANCE ±0.05

NOTES:

- MATERIAL:
 - HOUSING: THERMOPLASTIC, HIGH TEMP., UL94V-0. COLOR: SEE PART NUMBER
 - CONTACT: COPPER ALLOY BRASS.
- FINISH:
 - CONTACT:
 - 50u" MIN NICKEL UNDERPLATING OVERALL.
 - TYPE 1: 100u" MIN MATT TIN PLATING OVERALL
 - TYPE 2: GOLD FLASH ON CONTACT AND SOLDER
- REFLOW SOLDER CAPABLE TO 260°C

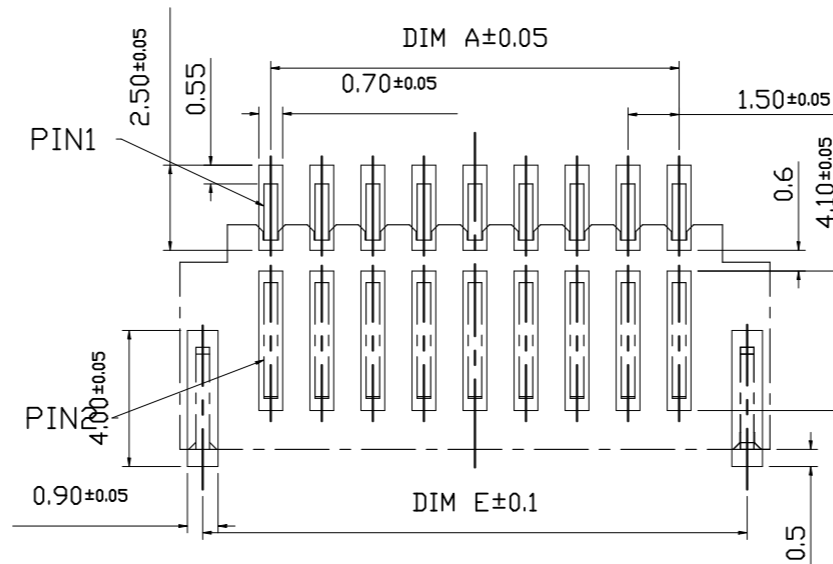
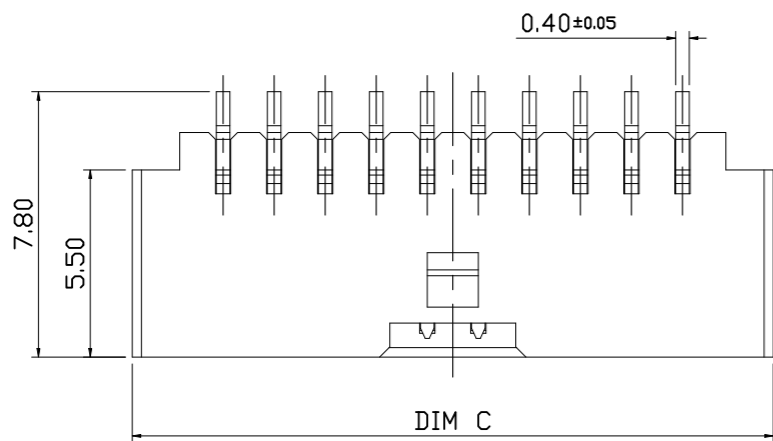


SECTION A-A
SCALE 1:1

COLOR	DIM F	DIM E	DIM D	DIM C	DIM B	DIM A	Pos.No	TYPE 2	TYPE 1
BLACK	3.00	25.00	25.80	26.34	23.30	21.00	30	7-2394521-3	6-2394521-3
	1.50	17.50	18.30	18.84	15.80	13.50	20	7-2394521-2	6-2394521-2
NATURAL	3.00	25.00	25.80	26.34	23.30	21.00	30	5-2394521-3	4-2394521-3
	1.50	17.50	18.30	18.84	15.80	13.50	20	5-2394521-2	4-2394521-2
							10	5-2394521-1	4-2394521-1

THIS DRAWING IS A CONTROLLED DOCUMENT.		DWN Tommy Qian 12APR2021	TE Connectivity Ltd.				
DIMENSIONS: mm		CHK Niki Shi 12APR2021					
TOLERANCES UNLESS OTHERWISE SPECIFIED:		APVD Niki Shi 12APR2021	NAME				
0 PLC ± 0.5 1 PLC ± 0.25 2 PLC ± 0.15 3 PLC ± 0.1 4 PLC ± - ANGLES ± 2°		PRODUCT SPEC	1.5mm PITCH WTB Conn. SMT R/A TYPE DOUBLE ROW				
MATERIAL NOTE 1		FINISH NOTE 2	APPLICATION SPEC	SIZE	CAGE CODE	DRAWING NO	RESTRICTED TO
			WEIGHT N/A	A3	00779	C-2394521	
CUSTOMER DRAWING			SCALE N/A	SHEET 2 OF 7	REV A1		

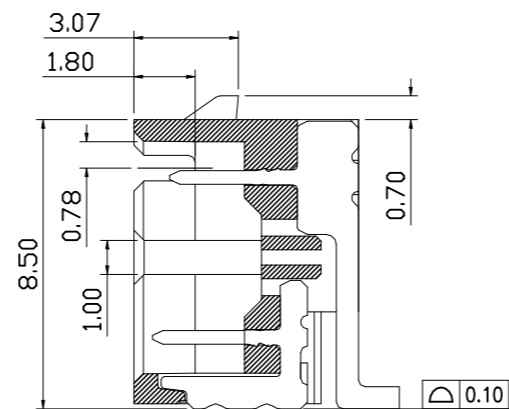
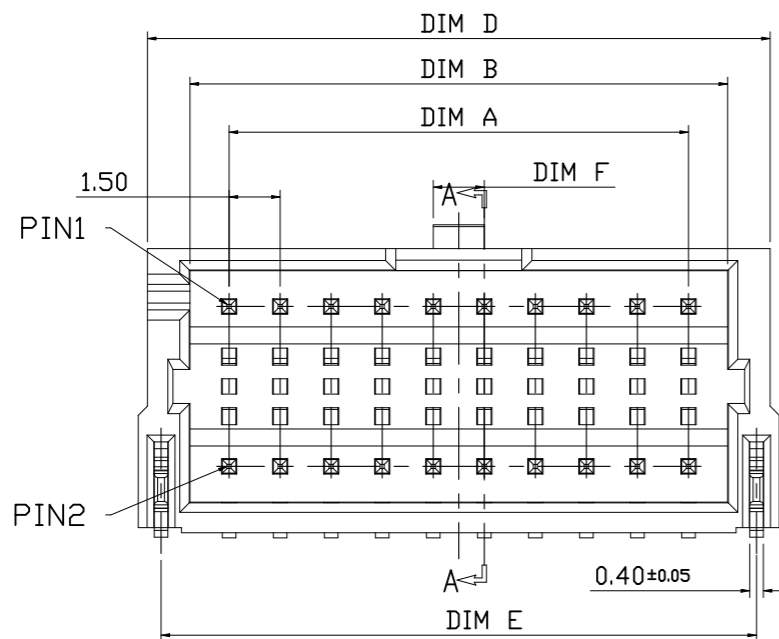
P	LTR	DESCRIPTION	DATE	DWN	APVD
-	-	SEE SHEET 1	-	-	-



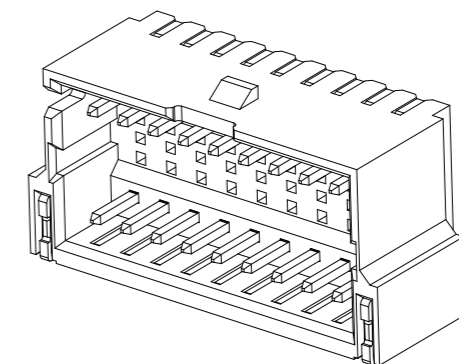
PCB PATTERN LAYOUT
GENERAL TOLERANCE ±0.05

NOTES:

- MATERIAL:
 - HOUSING: THERMOPLASTIC, HIGH TEMP.,UL94V-0. COLOR:SEE PART NUMBER
 - CONTACT: Boway ALLOY .
 - FITTING NAIL: STAINLESS STEEL
- FINISH:
 - CONTACT:
 - 50u" MIN NICKEL UNDERPLATING OVERALL.
 - TYPE 1: 100u" MIN MATT TIN PLATING OVERALL
 - TYPE 2: GOLD FLASH ON CONTACT AND SOLDER
 - FITTING NAIL:
 - 50u" MIN NICKEL UNDER PLATING OVERALL
 - 100u" MATT MIN TIN PLATING OVERALL
- REFLOW SOLDER CAPABLE TO 260°C



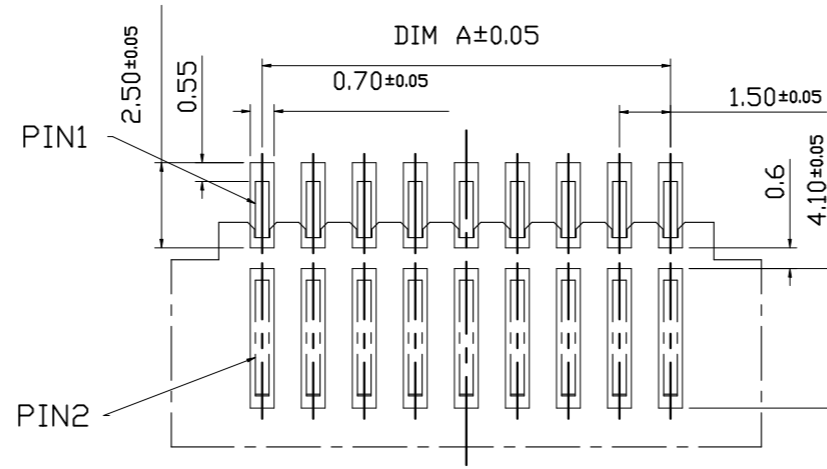
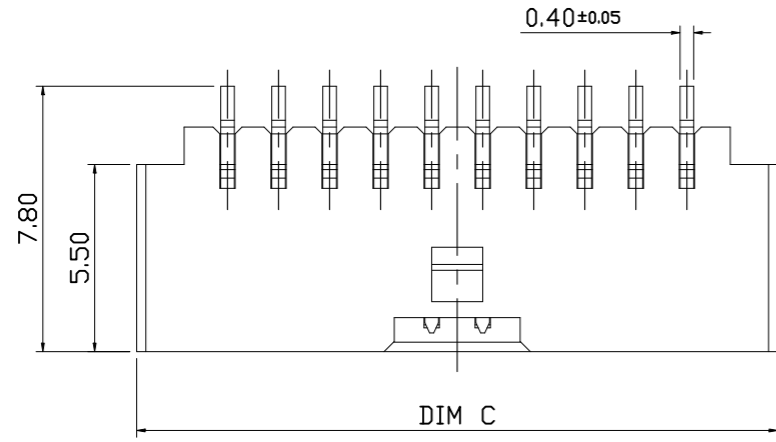
SECTION A-A
SCALE 1:1



BLACK	3.00	32.50	33.30	33.84	30.80	28.50	40	3-2394521-4	2-2394521-4
NATURAL	3.00	32.50	33.30	33.84	30.80	28.50	40	1-2394521-4	2394521-4
COLOR	DIM F	DIM E	DIM D	DIM C	DIM B	DIM A	Pos.No	TYPE 2	TYPE 1
								P/N	

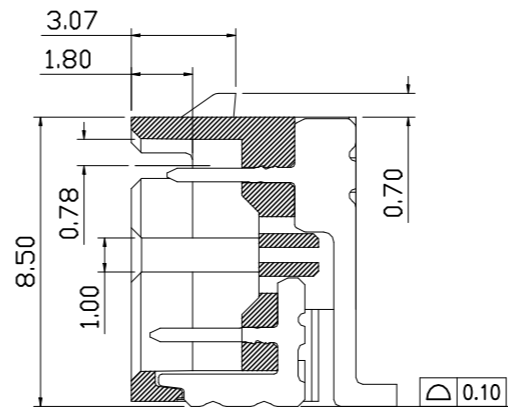
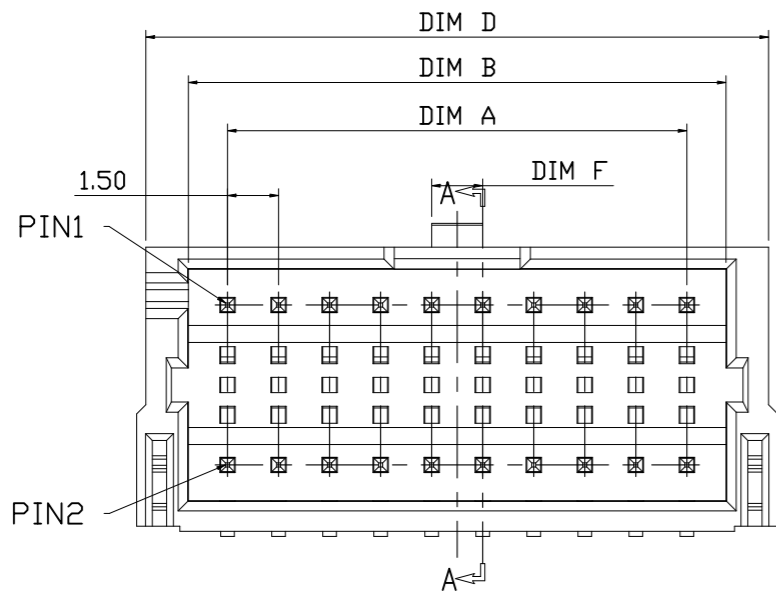
THIS DRAWING IS A CONTROLLED DOCUMENT.		DWN	Tommy Qian	12APR2021	TE Connectivity Ltd.															
DIMENSIONS: mm		CHK	Niki Shi	12APR2021						NAME										
TOLERANCES UNLESS OTHERWISE SPECIFIED:		APVD	Niki Shi	12APR2021						PRODUCT SPEC										
<table border="0"> <tr> <td>0 PLC</td> <td>± 0.5</td> </tr> <tr> <td>1 PLC</td> <td>± 0.25</td> </tr> <tr> <td>2 PLC</td> <td>± 0.15</td> </tr> <tr> <td>3 PLC</td> <td>± 0.1</td> </tr> <tr> <td>4 PLC</td> <td>± -</td> </tr> <tr> <td>ANGLES</td> <td>± 2°</td> </tr> </table>		0 PLC	± 0.5	1 PLC						± 0.25	2 PLC	± 0.15	3 PLC	± 0.1	4 PLC	± -	ANGLES	± 2°	APPLICATION SPEC	
0 PLC	± 0.5																			
1 PLC	± 0.25																			
2 PLC	± 0.15																			
3 PLC	± 0.1																			
4 PLC	± -																			
ANGLES	± 2°																			
MATERIAL	NOTE 1	FINISH	NOTE 2	WEIGHT	N/A	SIZE	A3	CAGE CODE	00779	DRAWING NO	C-2394521	RESTRICTED TO	-							
CUSTOMER DRAWING				SCALE	N/A	SHEET	3	OF	7	REV	A1									

P	LTR	DESCRIPTION	DATE	DWN	APVD
-	-	SEE SHEET 1	-	-	-

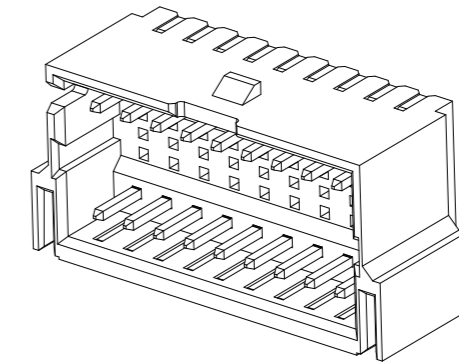


PCB PATTERN LAYOUT
GENERAL TOLERANCE ±0.05


- NOTES:
- MATERIAL:
 - HOUSING: THERMOPLASTIC, HIGH TEMP.,UL94V-0. COLOR:SEE PART NUMBER
 - CONTACT: COPPER ALLOY BRASS.
 - FINISH:
 - CONTACT: 50u" MIN NICKEL UNDERPLATING OVERALL. TYPE 1: 100u" MIN MATT TIN PLATING OVERALL TYPE 2: GOLD FLASH ON CONTACT AND SOLDER
 - REFLOW SOLDER CAPABLE TO 260°C



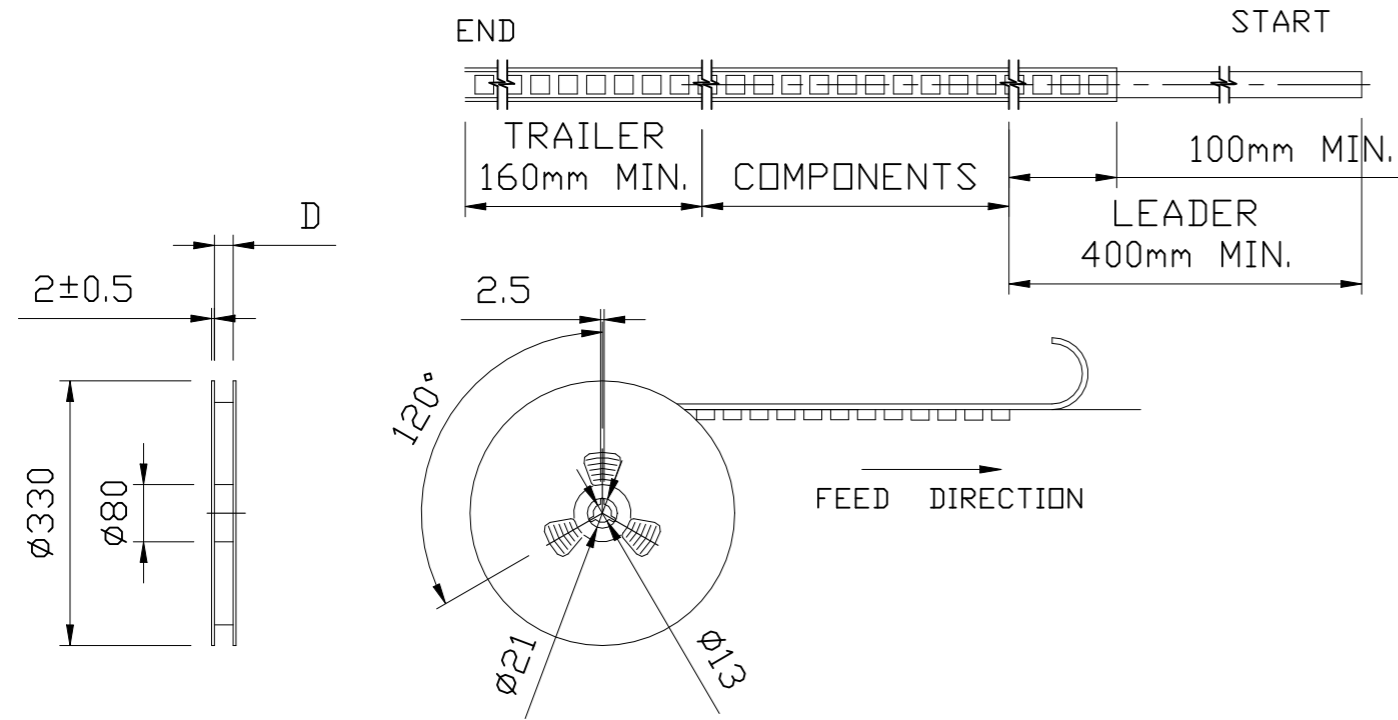
SECTION A-A
SCALE 1:1



BLACK	3.00	32.50	33.30	33.84	30.80	28.50	40	7-2394521-4	6-2394521-4
NATURAL	3.00	32.50	33.30	33.84	30.80	28.50	40	5-2394521-4	4-2394521-4
COLOR	DIM F	DIM E	DIM D	DIM C	DIM B	DIM A	Pos.No	TYPE 2	TYPE 1
								P/N	

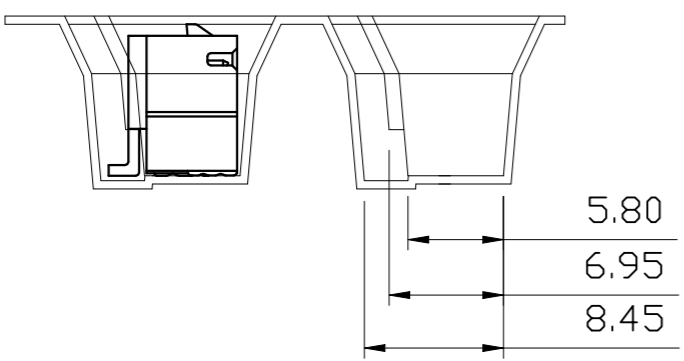
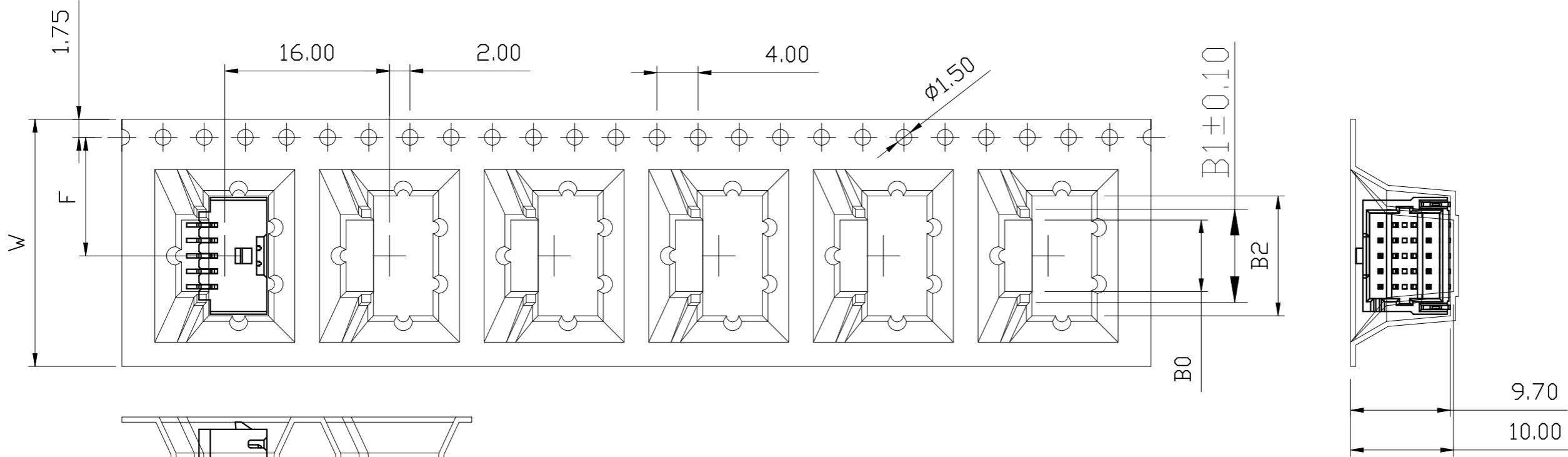
THIS DRAWING IS A CONTROLLED DOCUMENT.		DWN Tommy Qian 12APR2021	 TE Connectivity Ltd.					
DIMENSIONS: mm		CHK Niki Shi 12APR2021						
TOLERANCES UNLESS OTHERWISE SPECIFIED:		APVD Niki Shi 12APR2021						
0 PLC ± 0.5 1 PLC ± 0.25 2 PLC ± 0.15 3 PLC ± 0.1 4 PLC ± - ANGLES ± 2°		NAME						
MATERIAL		PRODUCT SPEC	1.5mm PITCH WTB Conn. SMT R/A TYPE DOUBLE ROW					
NOTE 1		FINISH	NOTE 2	SIZE	CAGE CODE	DRAWING NO	RESTRICTED TO	
NOTE 1		FINISH	NOTE 2	WEIGHT	A3	00779	C-2394521	
CUSTOMER DRAWING			SCALE	N/A	SHEET	4 OF 7	REV	A1

P	LTR	DESCRIPTION	DATE	DWN	APVD
-	-	SEE SHEET 1	-	-	-



- NOTES:
- 10 SPROCKET HOLE PITCH CUMULATIVE TOLERANCE: ±0.20mm
 - CARRIER CAMBER NOT TO EXCEED 1mm IN 250mm.
 - ALL DIMENSIONS MEET EIA-481 REQUIREMENTS.
 - MATERIAL: BLACK ANTI-STATIC POLYSTYRENE.
 - THICKNESS: 0.50 ± 0.05 mm.
 - PACKING LENGTH PER 13" REEL : 7.5 METERS.
 - COMPONENT LOAD PER 13" REEL : 400 PCS.

24.4	11.65	9.06	6.96	24.00	11.50	10P	*-2394521-1
DIM D	DIM B2	DIM B1	DIM B0	DIM W	DIM F	POS.	PART NUMBER



THIS DRAWING IS A CONTROLLED DOCUMENT.

DIMENSIONS: mm	TOLERANCES UNLESS OTHERWISE SPECIFIED:
	0 PLC ± 0.5
	1 PLC ± 0.25
	2 PLC ± 0.15
	3 PLC ± 0.1
	4 PLC ± -
	ANGLES ± 2°
MATERIAL	FINISH
-	-

DWN	12APR2021
Tommy Qian	
CHK	12APR2021
Niki Shi	
APVD	12APR2021
Niki Shi	
PRODUCT SPEC	
APPLICATION SPEC	
WEIGHT	-

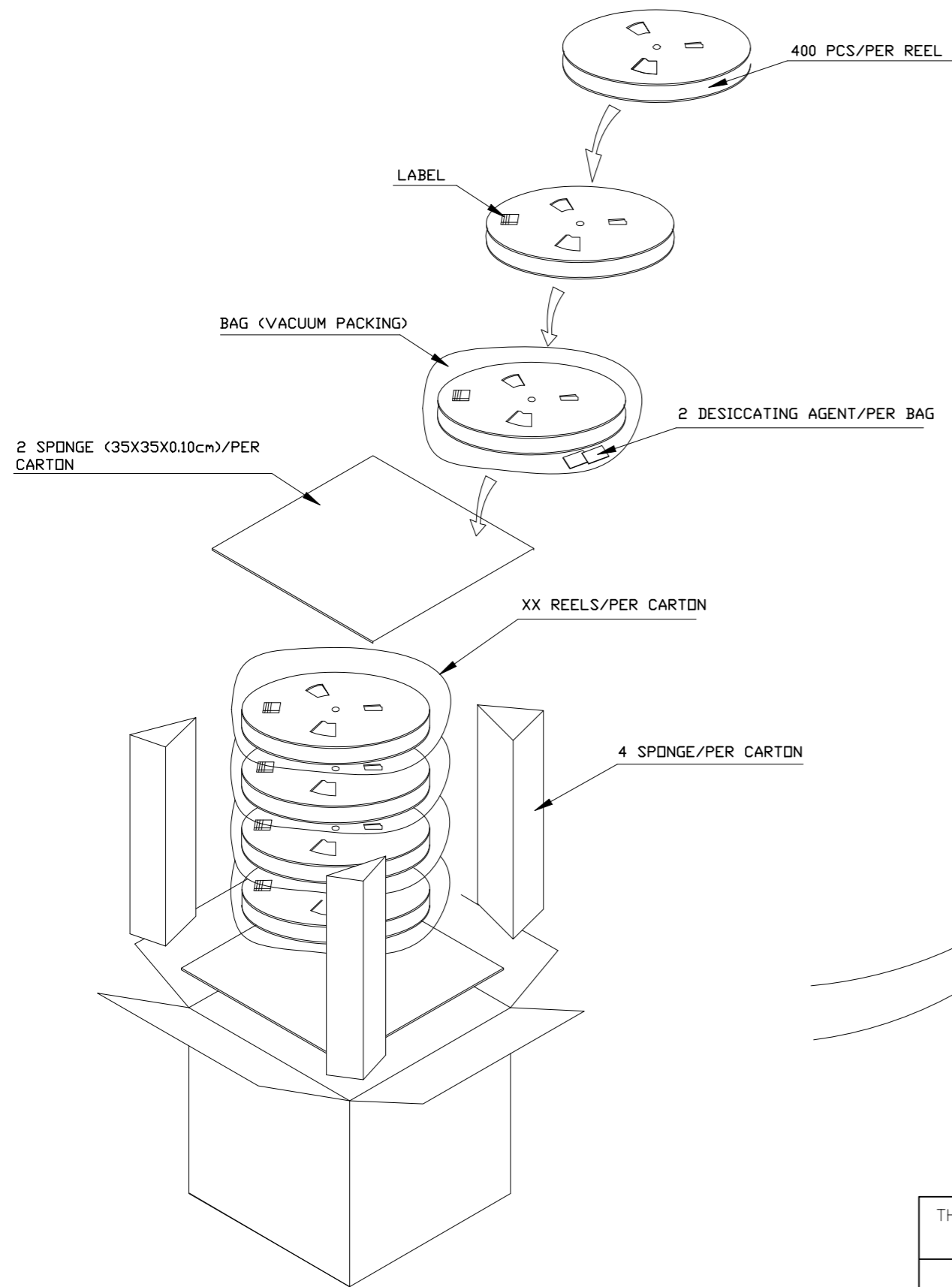


1.25mm PITCH WT B Conn.
SMT VERTICAL TYPE DOUBLE ROW

SIZE	CAGE CODE	DRAWING NO	RESTRICTED TO
A3	00779	C-2394521	-
CUSTOMER DRAWING		SCALE	SHEET
		N/A	5 of 7
		REV	A1

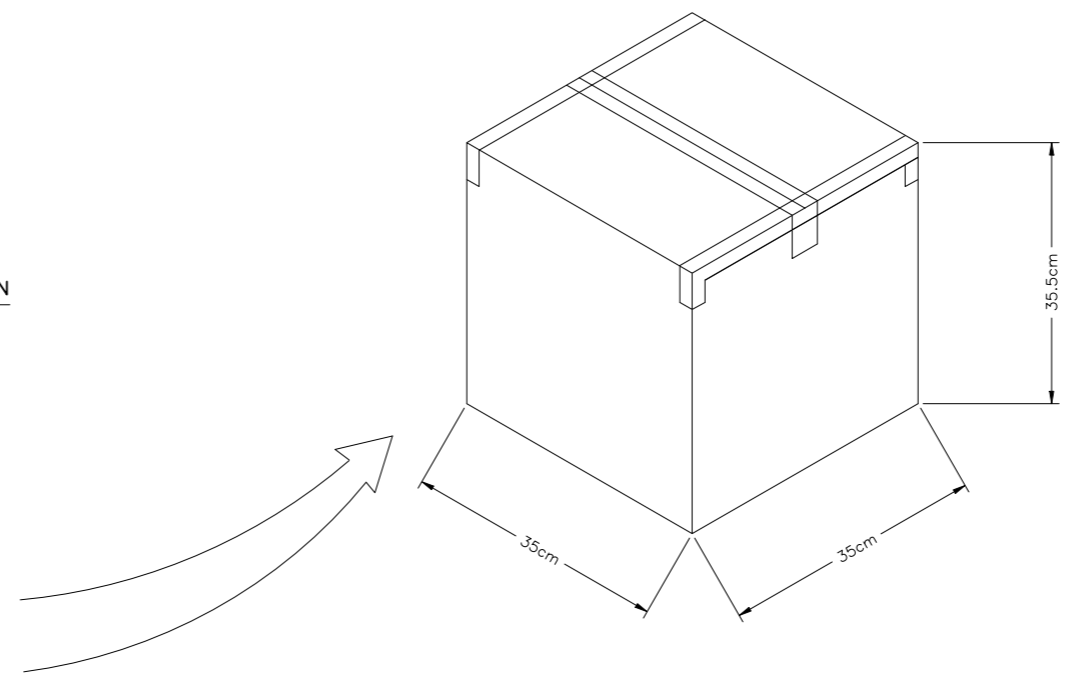
REVISIONS

P	LTR	DESCRIPTION	DATE	DWN	APVD
-	-	SEE SHEET 1	-	-	-



NOTE:

1. STAPLES SHOULD ONLY BE USED TO SET UP CARTON
ALL CARTONS CLOSURES MUST BE DONE WITH TAPE.
2. FILL PACKAGING REEL WITH THE QUANTITIES AS INDICATED



2000(PCS)	400(PCS)	5	40P	*-2394521-4
2800(PCS)	400(PCS)	7	30P	*-2394521-3
2800(PCS)	400(PCS)	7	20P	*-2394521-2
4400(PCS)	400(PCS)	11	10P	*-2394521-1
PARTS PER CARTON	PARTS PER REEL	REELS PER CARTON	POS.	PART NUMBER

THIS DRAWING IS A CONTROLLED DOCUMENT.		DWN Tommy Qian 12APR2021	TE Connectivity Ltd.														
DIMENSIONS: mm		CHK Niki Shi 12APR2021				NAME											
TOLERANCES UNLESS OTHERWISE SPECIFIED:		APVD Niki Shi 12APR2021	1.5mm PITCH WT B Conn.														
<table border="1"> <tr><td>0 PLC</td><td>± 0.5</td></tr> <tr><td>1 PLC</td><td>± 0.25</td></tr> <tr><td>2 PLC</td><td>± 0.15</td></tr> <tr><td>3 PLC</td><td>± 0.1</td></tr> <tr><td>4 PLC</td><td>± -</td></tr> <tr><td>ANGLES</td><td>± 2°</td></tr> </table>		0 PLC	± 0.5	1 PLC	± 0.25	2 PLC	± 0.15	3 PLC	± 0.1	4 PLC	± -	ANGLES	± 2°	PRODUCT SPEC -	SMT VERTICAL TYPE DOUBLE ROW		
0 PLC	± 0.5																
1 PLC	± 0.25																
2 PLC	± 0.15																
3 PLC	± 0.1																
4 PLC	± -																
ANGLES	± 2°																
MATERIAL -		APPLICATION SPEC -	SIZE	CAGE CODE	DRAWING NO												
FINISH -		WEIGHT N/A	A3	00779	C-2394521												
CUSTOMER DRAWING			RESTRICTED TO -	SCALE N/A	SHEET 7 OF 7												
			REV A1														

X-ON Electronics

Largest Supplier of Electrical and Electronic Components

Click to view similar products for [Headers & Wire Housings](#) category:

Click to view products by [TE Connectivity](#) manufacturer:

Other Similar products are found below :

[892-18-020-10-001101](#) [0010894062](#) [0010977306](#) [0015477636](#) [0015917161](#) [0022104068](#) [0022121042](#) [0022155065](#) [0022281023](#) [57102-F02-18ULF](#) [58102-G61-06LF](#) [582553-1](#) [0015911208](#) [01.001.5753.1](#) [0022285048](#) [0050291907](#) [02.125.8002.8](#) [CSU011177004](#) [622-0430](#) [622-3653LF](#) [63453-116](#) [636-1030](#) [636-1427](#) [636-3427](#) [636-4007](#) [641938-9](#) [65495-038](#) [65692-001LF](#) [65781-018](#) [65781-047](#) [65817-010LF](#) [65817-015LF](#) [67095-007LF](#) [67601157](#) [68631-112](#) [68645-018](#) [699319-000](#) [70.362.1628.0](#) [70-4210](#) [70-4226B](#) [70-4853B](#) [707-5028](#) [71.350.2428.0](#) [733-134](#) [733-162](#) [760-3052](#) [MHR-64-VUAL](#) [80.063.4001.1](#) [800-90-001-10-001000](#) [801-43-002-10-013000](#)