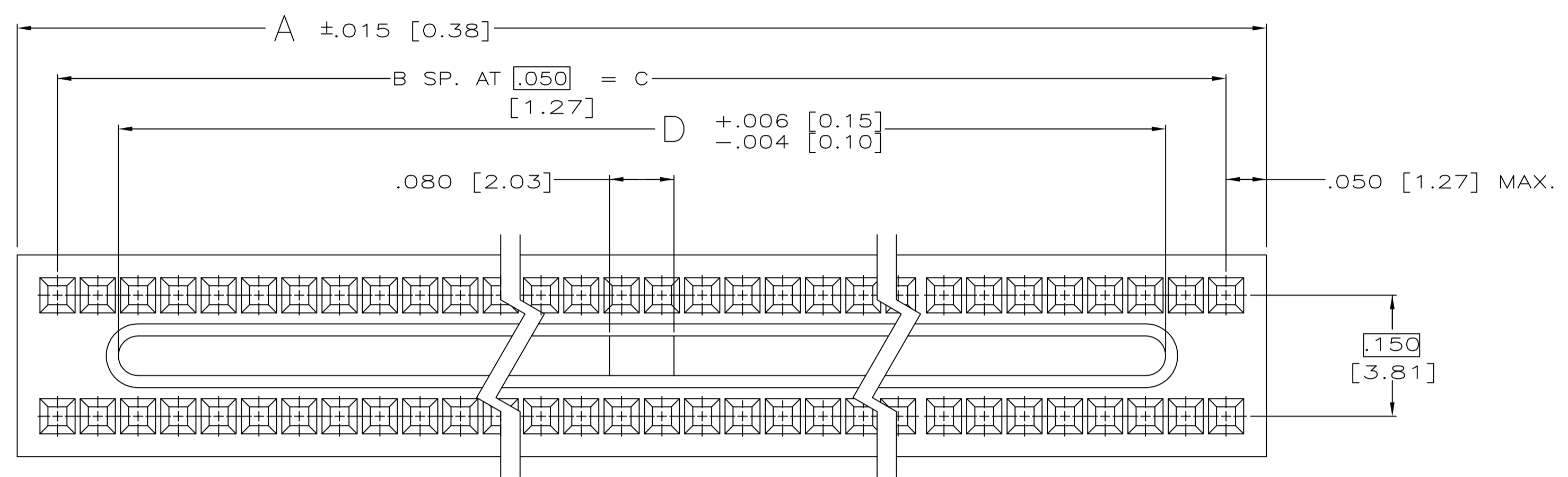
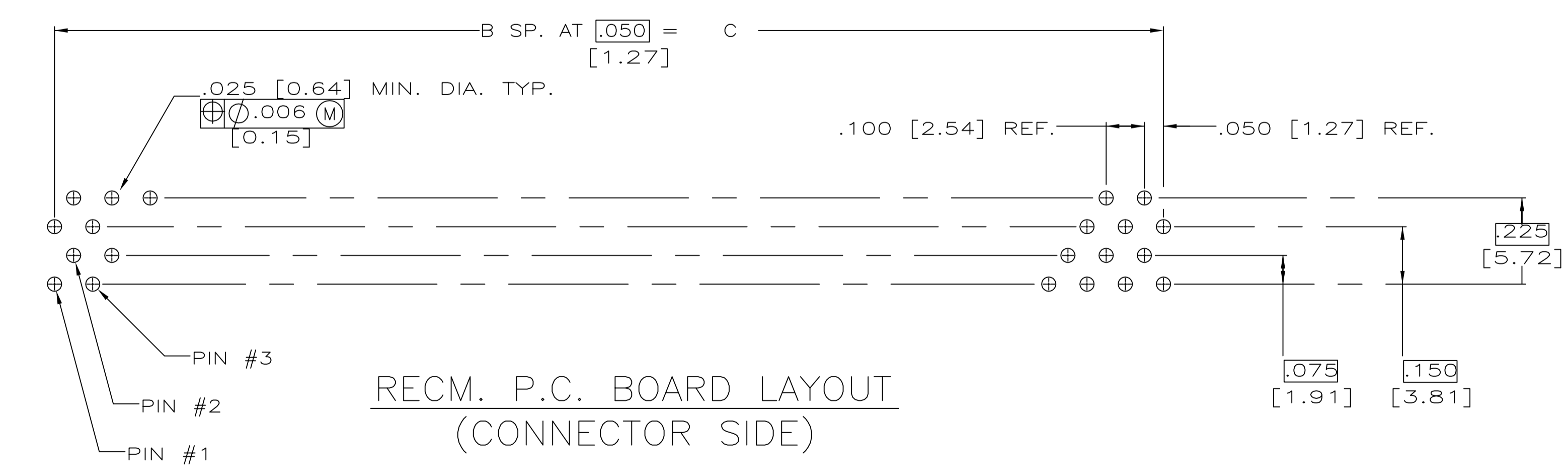
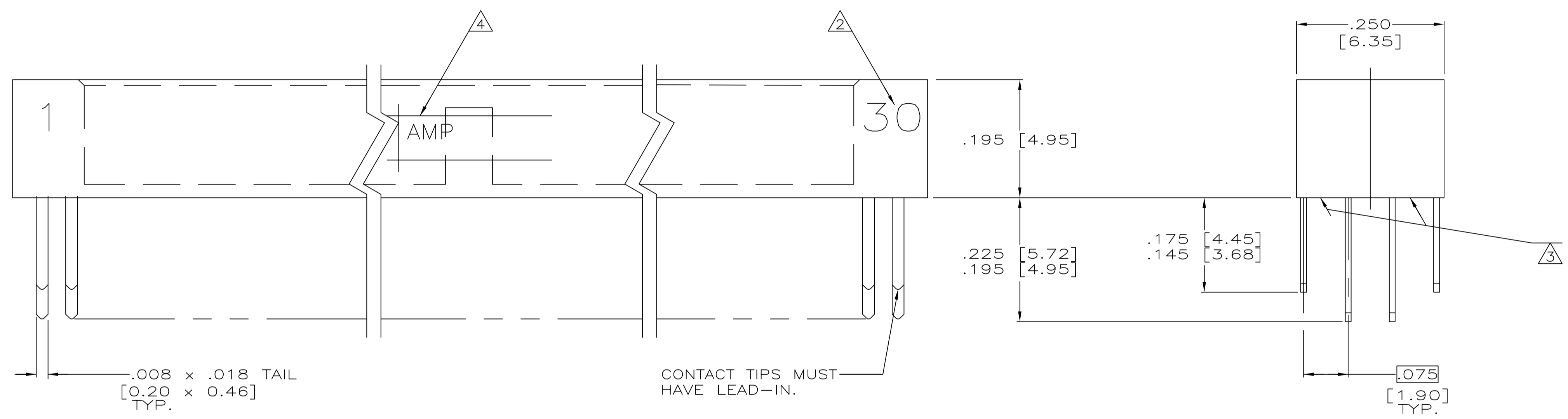


REVISIONS				
P	LTR	DESCRIPTION	DATE	OWN APVD
D		REVISED PER ECO-16-017894	27APR2017	PHM CT



1. RECEPTACLE MEETS ALL APPLICABLE REQUIREMENTS OF MIL-C-55302.
2. NUMBERS INDICATING END POSITIONS, MARKED THIS SIDE ONLY.
3. EPOXY IS ADDED TO BOTTOM OF HOUSING FOR CONTACT RETENTION ONLY, "AMP", P/N & DATE CODE, & CUSTOMER P/N, (SEE TABLE) MARKED IN THIS APPROXIMATE AREA.
4. HOUSING MATERIAL: LIQUID CRYSTAL POLYMER PER MIL-M-24519, GLCP-30F; COLOR: GRAY.



RECM. P.C. BOARD LAYOUT
(CONNECTOR SIDE)

CUSTOMER P/N	CAVITY IDENT.	D	C	B	A	POSN.	PART NO.
7180275-1	1/50	2.300 [58.42]	2.450 [62.23]	49	2.535 [64.39]	100	447378-2
7180277-1	1/30	1.300 [33.02]	1.450 [36.83]	29	1.535 [38.99]	60	447378-1

THIS DRAWING IS A CONTROLLED DOCUMENT.

DIMENSIONS: INCHES(mm)	TOLERANCES UNLESS OTHERWISE SPECIFIED: 0 PLC ± - 1 PLC ± - 2 PLC ± - 3 PLC ± .005 [0.13] 4 PLC ± - ANGLES ± - FINISH: .000050 GOLD IN CONTACT AREAS TIN-LEAD ON TAILS	DWN W. LEUFERT 9-17-90 DWR D. STONER 10-29-90 APVD D. STONER 10-29-90 PRODUCT SPEC APPLICATION SPEC WEIGHT	NAME MINI-BOX RECEPTACLE ASSEMBLY, SPECIAL, NO END BLOCKS SIZE CAGE CODE DRAWING NO A1 00779 C=447378 RESTRICTED TO CUSTOMER DRAWING
---------------------------	---	---	---

SCALE: 8:1 SHEET 1 OF 1 REV D

X-ON Electronics

Largest Supplier of Electrical and Electronic Components

Click to view similar products for [Headers & Wire Housings](#) category:

Click to view products by [TE Connectivity](#) manufacturer:

Other Similar products are found below :

[892-18-020-10-001101](#) [58102-G61-06LF](#) [582553-1](#) [0009485154](#) [009176003701906](#) [0050291907](#) [LY20-4P-DT1-P1E-BR](#) [02.125.8002.8](#)
[609-3404](#) [61062-3](#) [61082-181009](#) [622-3653LF](#) [63453-116](#) [636-1030](#) [636-1427](#) [636-3427](#) [636-4007](#) [641938-9](#) [641991-4](#) [644827-2](#) [65817-010LF](#) [65817-015LF](#) [65863-015LF](#) [66207-023LF](#) [67095-007LF](#) [67601157](#) [68645-018](#) [68648-049](#) [70.362.1628.0](#) [70-4210](#) [70-4226B](#) [70-4853B](#) [707-5020](#) [707-5028](#) [71.350.2428.0](#) [71918-208LF](#) [71961-016LF](#) [733-134](#) [733-162](#) [754199-000](#) [760-3052](#) [787-8014-00](#) [79531-3000](#)
[FCN-360C032-B](#) [FCN-367T-T012/H](#) [FCN-723D010/2](#) [80.063.4001.1](#) [800-90-001-10-001000](#) [800-90-010-10-002000](#) [801-43-002-10-013000](#)