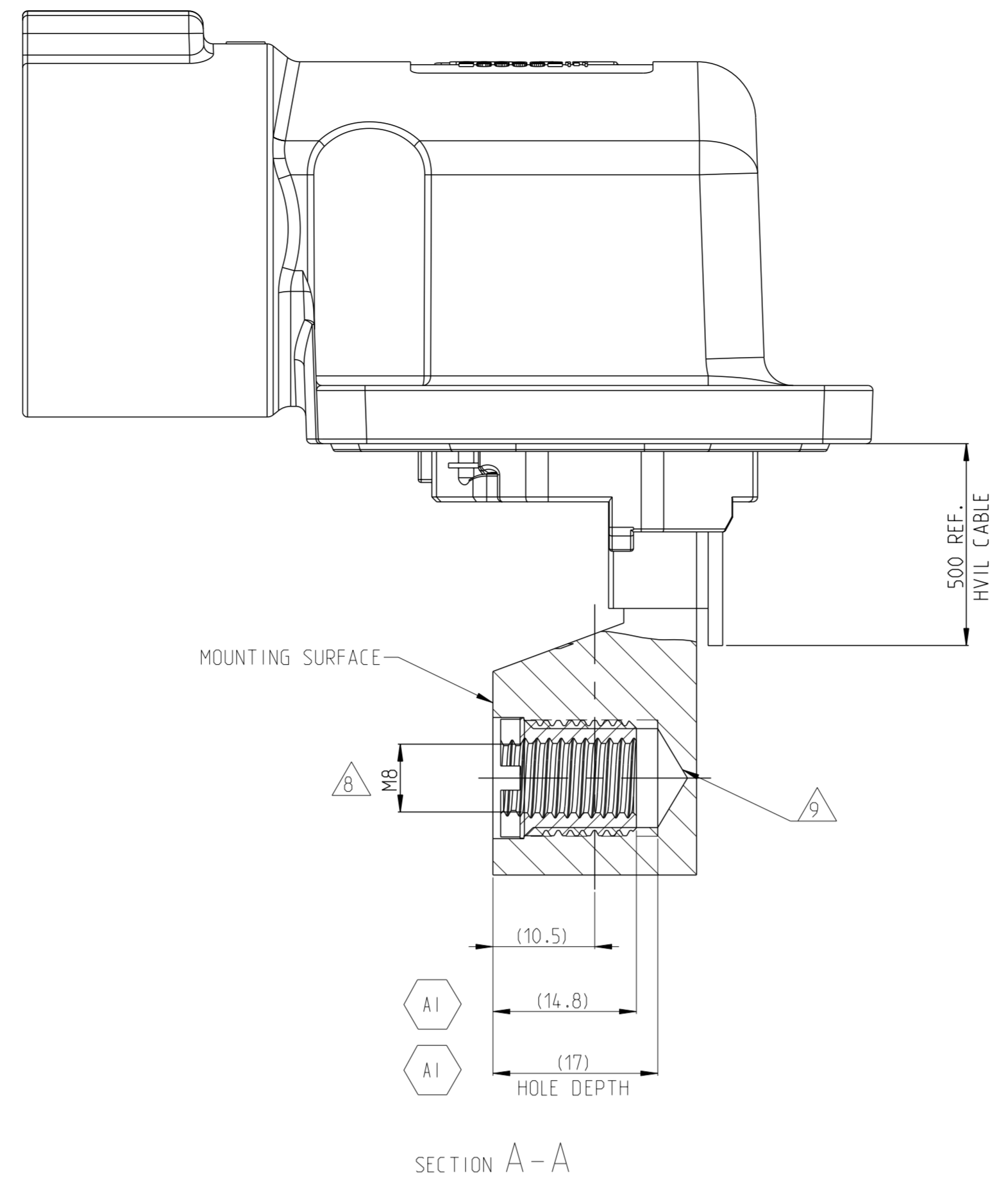
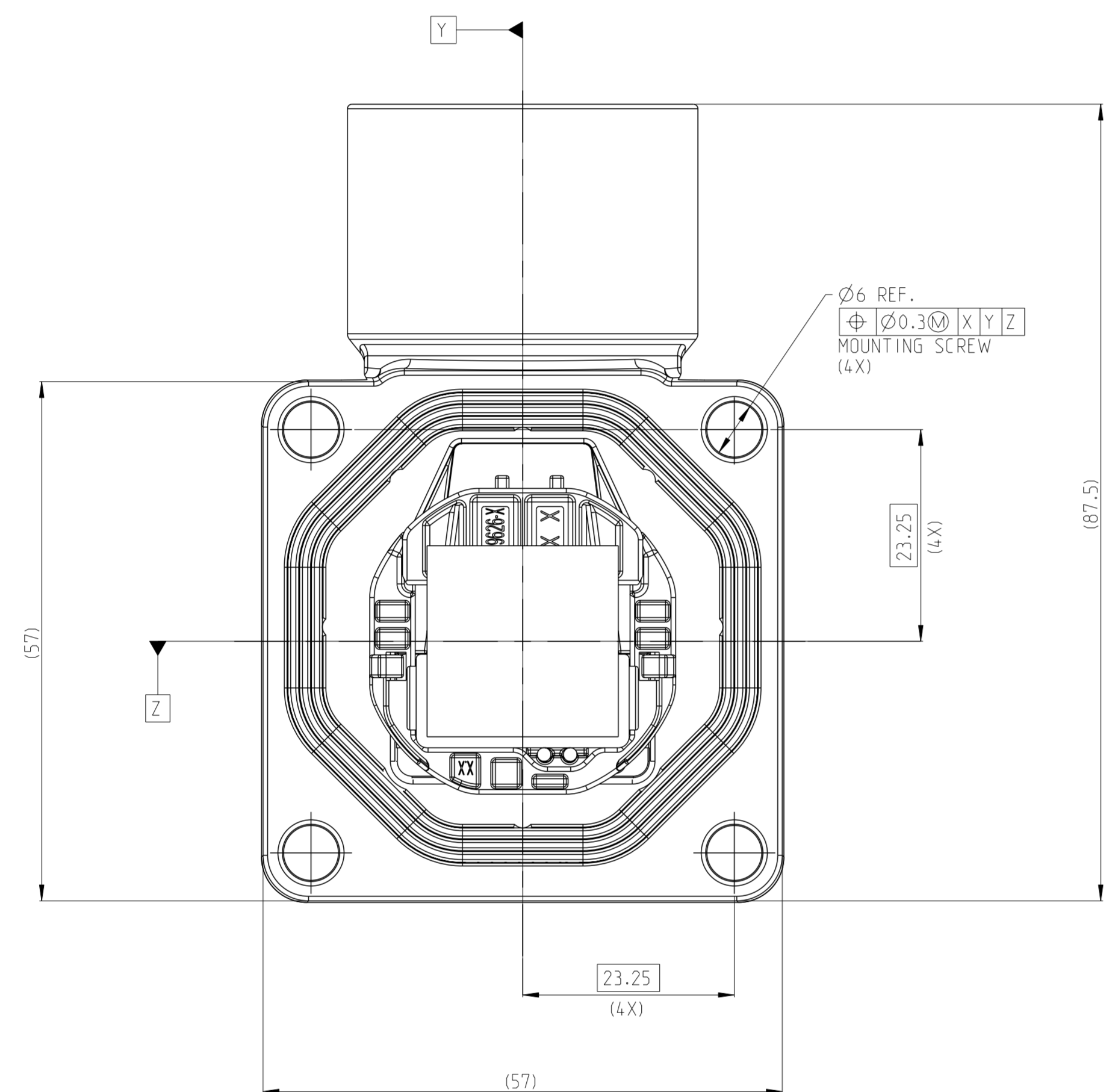
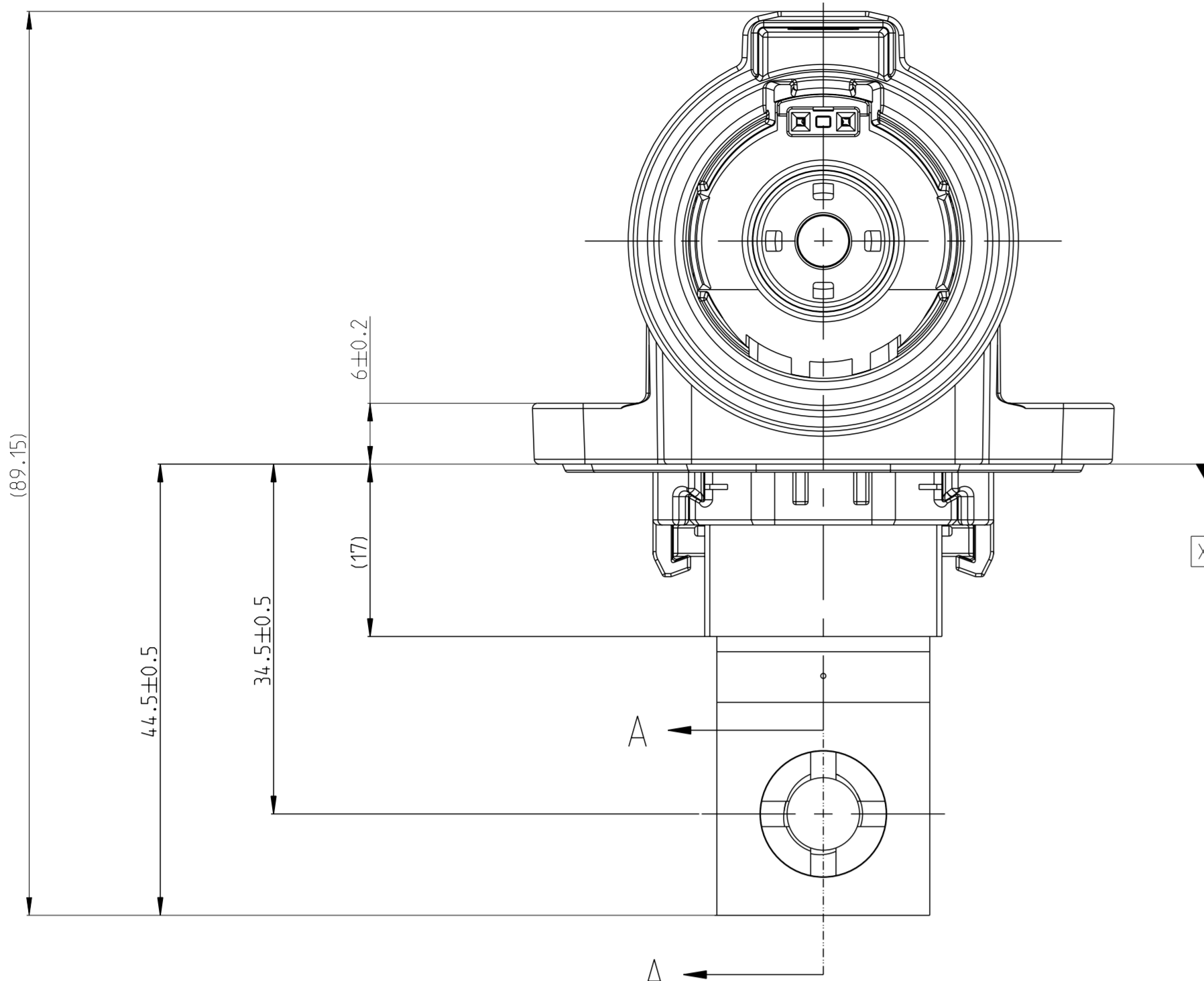
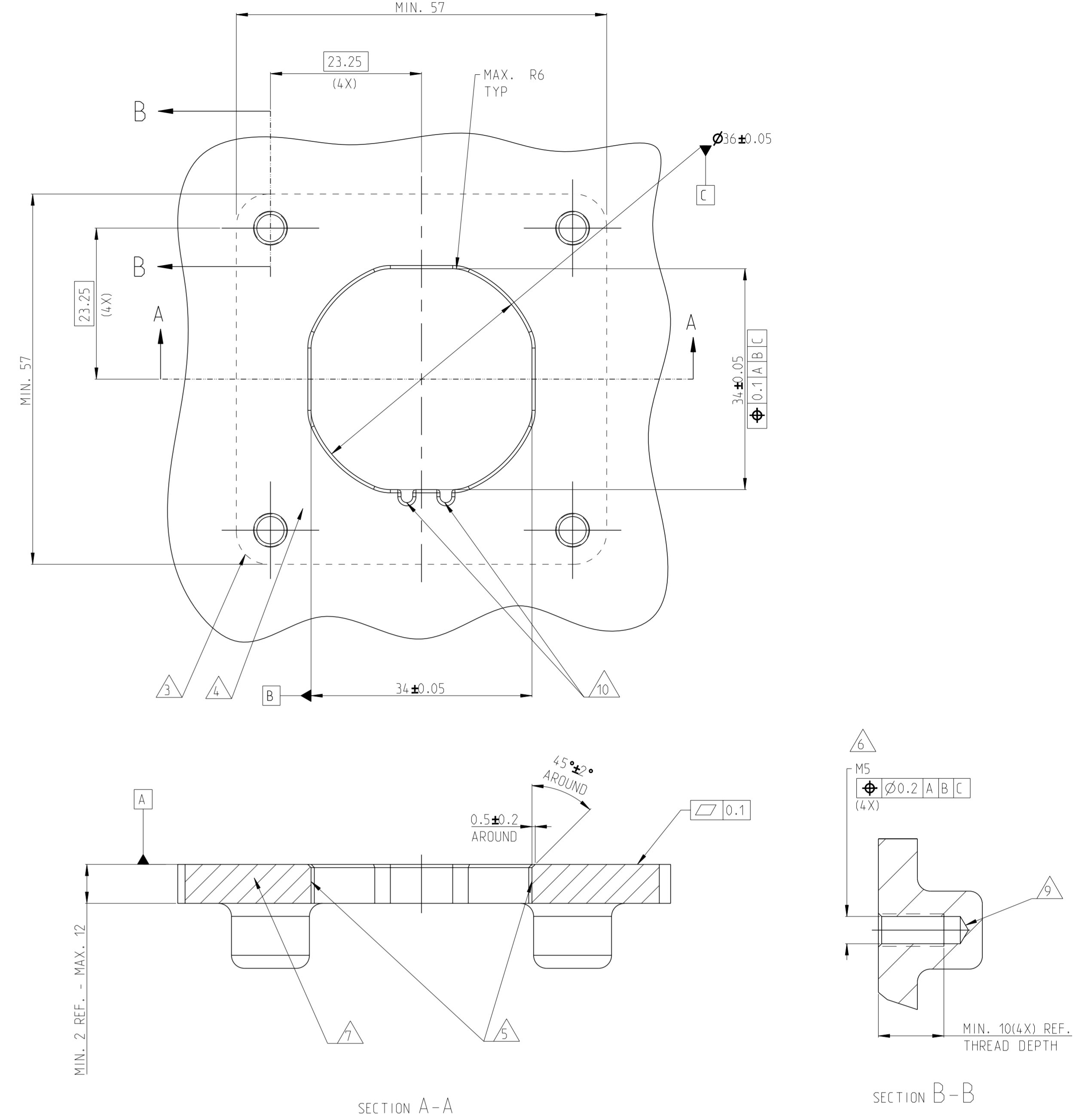


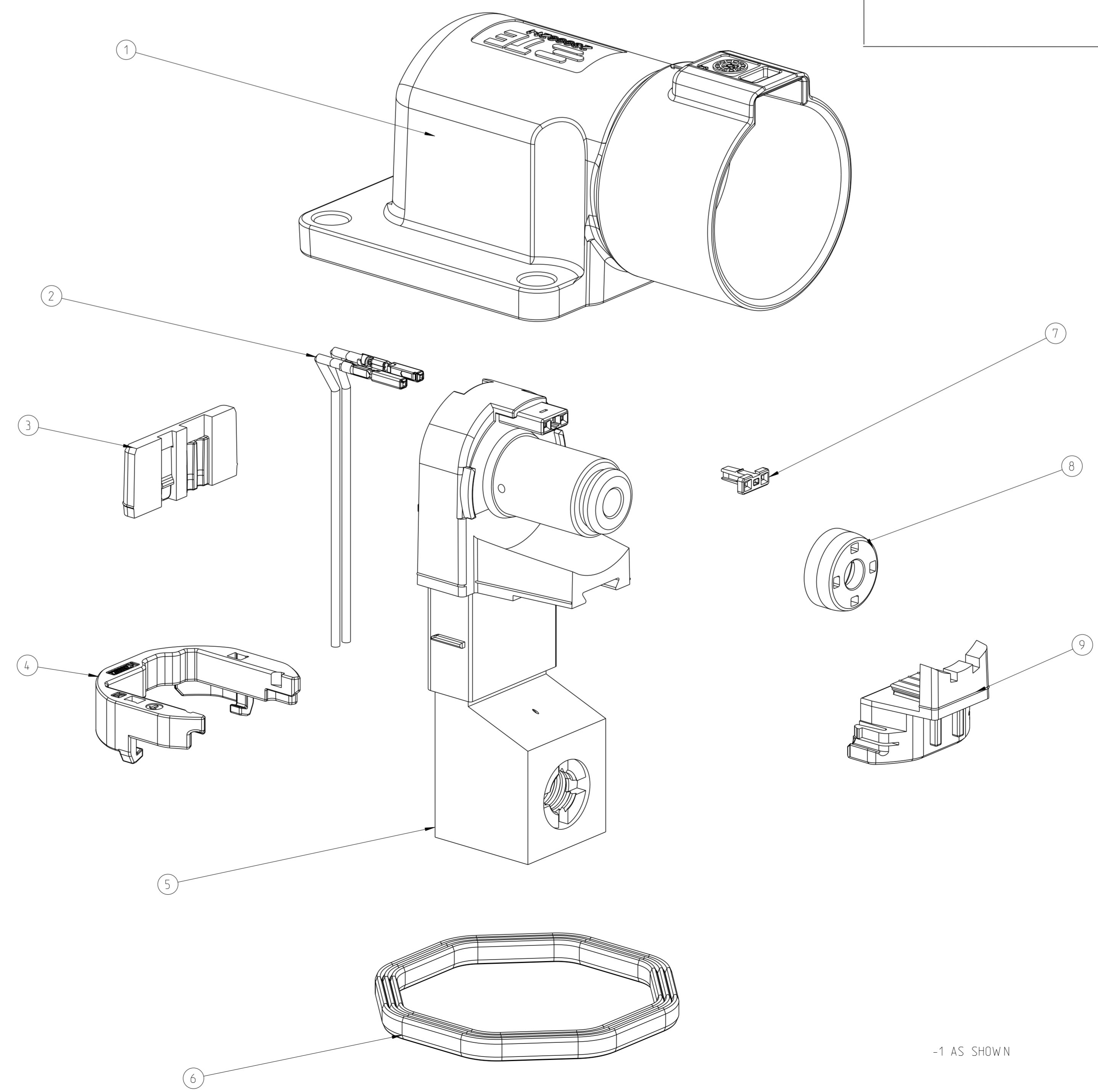
REVISIONS				
REV	DATE	DESCRIPTION	BY	APP'D
A	29DEC2021	INITIAL RELEASE	S.T	I.Y
A1	03MAY2022	ECR-22-13644Z	S.T	Z.Z



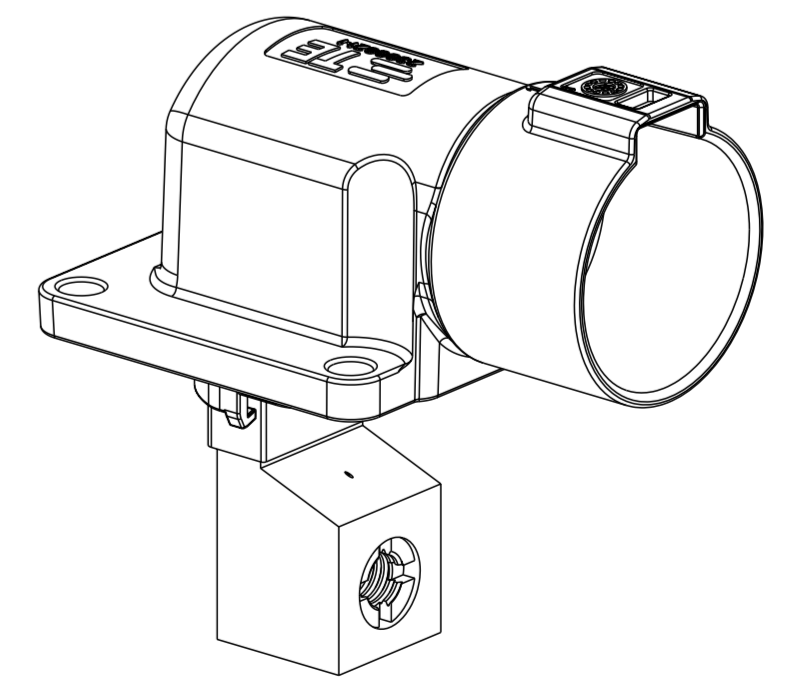
ADAPTER PLATE - HVP-HD1400 1POS HEADER INTERFACE



TE-ASSY-NO	CODE	DESCRIPTION	DESCRIPTION	CODE	MATERIAL	SURFACE COLOR	WEIGHT (g)	QTY	ITEM
1-2399609-3	M	1POS.PIN DIA 14.0 HDR ASSY.90DEG	CODE HOUSING FOLLOW 2399609-1	M	PA66-GF	AQUA RED	(315)	1	9
1-2399609-2	L	1POS.PIN DIA 14.0 HDR ASSY.90DEG	CODE HOUSING FOLLOW 2399609-1	L	PA66-GF	AQUA BROWN	(315)	1	9
1-2399609-1	K	1POS.PIN DIA 14.0 HDR ASSY.90DEG	CODE HOUSING FOLLOW 2399609-1	K	PA66-GF	AQUA GREEN	(315)	1	9
2399609-9	J	1POS.PIN DIA 14.0 HDR ASSY.90DEG	CODE HOUSING FOLLOW 2399609-1	J	PA66-GF	ORANGE	(315)	1	9
2399609-8	H	1POS.PIN DIA 14.0 HDR ASSY.90DEG	CODE HOUSING FOLLOW 2399609-1	H	PA66-GF	YELLOW	(315)	1	9
2399609-7	G	1POS.PIN DIA 14.0 HDR ASSY.90DEG	CODE HOUSING FOLLOW 2399609-1	G	PA66-GF	RED	(315)	1	9
2399609-6	F	1POS.PIN DIA 14.0 HDR ASSY.90DEG	CODE HOUSING FOLLOW 2399609-1	F	PA66-GF	BROWN	(315)	1	9
2399609-5	E	1POS.PIN DIA 14.0 HDR ASSY.90DEG	CODE HOUSING FOLLOW 2399609-1	E	PA66-GF	GREEN	(315)	1	9
2399609-4	D	1POS.PIN DIA 14.0 HDR ASSY.90DEG	CODE HOUSING FOLLOW 2399609-1	D	PA66-GF	PURPLE	(315)	1	9
2399609-3	C	1POS.PIN DIA 14.0 HDR ASSY.90DEG	CODE HOUSING FOLLOW 2399609-1	C	PA66-GF	BLUE	(315)	1	9
2399609-2	B	1POS.PIN DIA 14.0 HDR ASSY.90DEG	CODE HOUSING FOLLOW 2399609-1	B	PA66-GF	NATURE	(315)	1	9
2399609-1	A	1POS.PIN DIA 14.0 HDR ASSY.90DEG	CODE HOUSING	A	PA66-GF	BLACK	(315)	1	9
			HEADER TPA	-	PA66-GF	RED		1	8
			FINGER PROTECTION CAP	-	PA66-GF	BLACK		1	7
			FACE SEAL	-	SILICONE	RED		1	6
			BUSBAR OVERMOLD,FRONT SIDE	-	-	-		1	5
			OUTER HOUSING	-	PA66-GF	BLACK		1	4
			INNER HOUSING	-	PA66-GF	BLACK		1	3
			HV INTERLOCK CABLE	-	-	-		2	2
			HEADER HOUSING 90DEG,1POS	-	AL-ALLOY	NICKEL PLATED		1	1



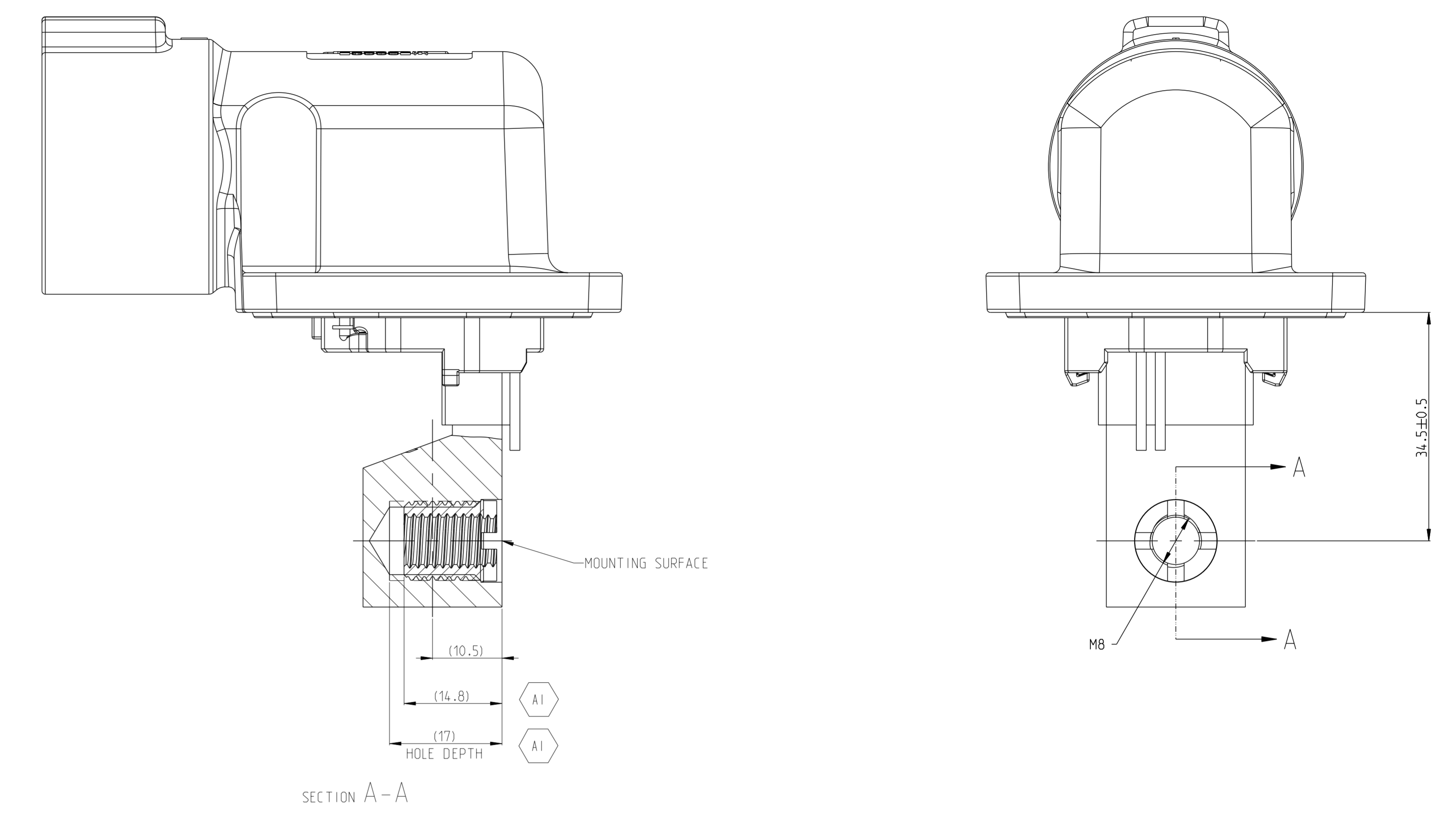
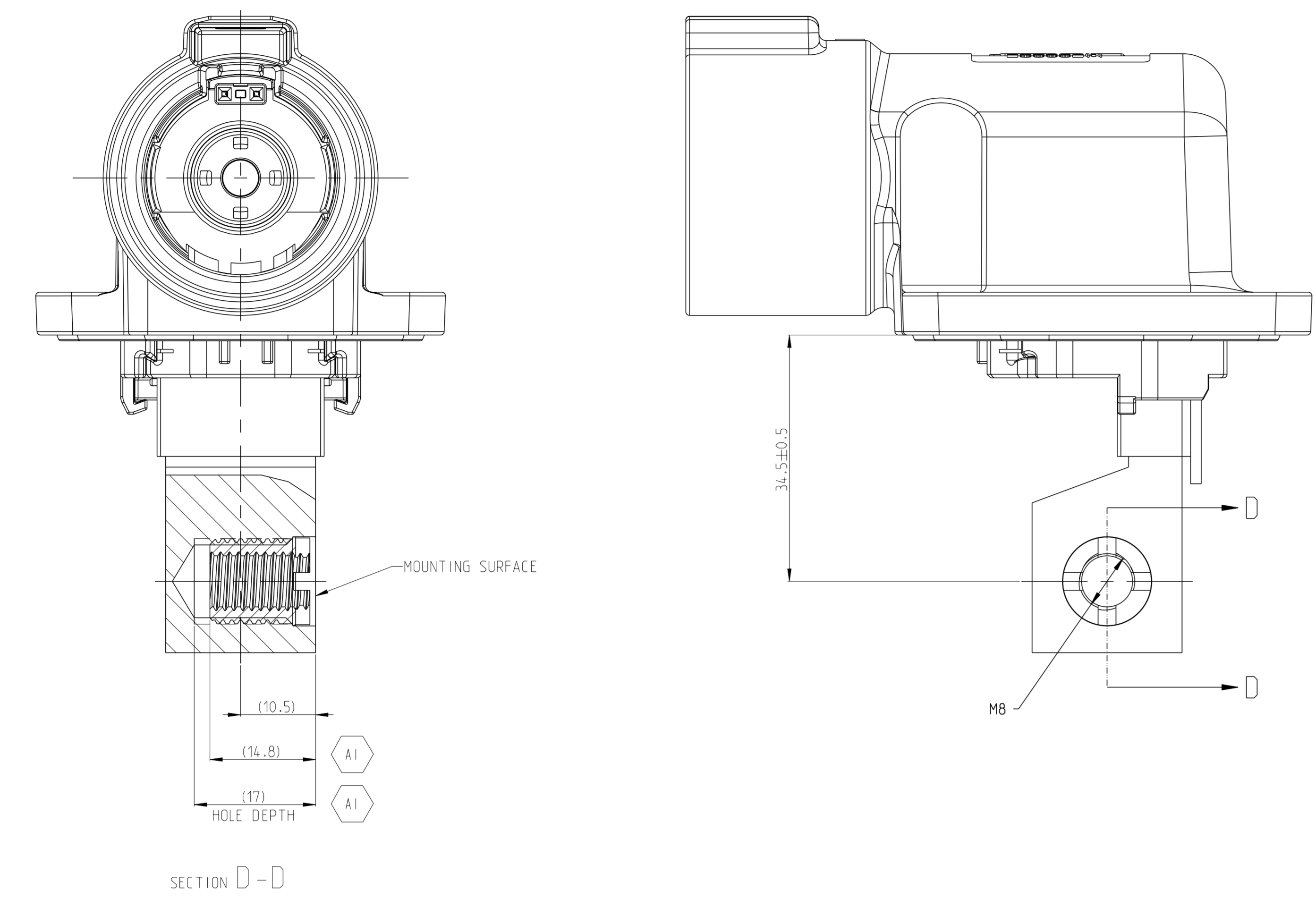
- 1. MATING CONNECTOR REFER TO DRAWING 2400957
- △ CODING VARIANT
- △ FREE SPACE FOR HEADER
- △ SEALING AREA NO BURR, TOOL PARTING, SHRINKAGE. CAVITIES AND GATE MARKS PERMITTED. SURFACE ROUGHNESS: Ra=1.6
- △ DRAFT ANGLE UP TO 0.5° PERMITTED
- △ MOUNTING SCREW M5, SCREW TYPE UP TO MANUFACTURER, DRILL HOLE DESIGN ACCORDING TO SCREW TYPE
- △ MATERIAL: CORROSION RESISTANT, ELECTROCONDUCTIVE
- △ SCREW M8 FOR BUSBAR CONNECTION
- △ ALL THREAD HOLES ARE BLIND HOLES
- △ INTERFACE PANEL CODE SEE SHEET 5



-1 AS SHOWN

THIS DRAWING IS A CONTROLLED DOCUMENT.		REV	DATE	BY	APP'D
DIMENSIONS: UNLESS OTHERWISE SPECIFIED		1	29DEC2021	S.T	I.Y
MATERIAL: SEE TABLE		2	29DEC2021	S.T	I.Y
FINISH: SEE TABLE		3	29DEC2021	S.T	I.Y
CUSTOMER DRAWING		4	29DEC2021	S.T	I.Y
SCALE: 2:1		STE TE Connectivity 1POS.PIN DIA 14.0 HDR ASSY.90DEG HVP-HD1400 00779 ©=2399609			

REVISIONS			
REV	DATE	BY	APPD
-	SEE SHEET 1	-	-



1. MISSING DIMENSIONS ACC. TO 2399609-1

TE-ASSY-NO	CODE	DESCRIPTION	DESCRIPTION	CODE	MATERIAL	SURFACE COLOR	WEIGHT (g)	QTY	ITEM
3-2399609-3	M	1POS.PIN DIA 14.0 HDR ASSY.90DEG	CODE HOUSING FOLLOW 2-2399609-1	M	PA66-GF	AQUA RED	(315)	1	9
3-2399609-2	L	1POS.PIN DIA 14.0 HDR ASSY.90DEG	CODE HOUSING FOLLOW 2-2399609-1	L	PA66-GF	AQUA BROWN	(315)	1	9
3-2399609-1	K	1POS.PIN DIA 14.0 HDR ASSY.90DEG	CODE HOUSING FOLLOW 2-2399609-1	K	PA66-GF	AQUA GREEN	(315)	1	9
2-2399609-9	J	1POS.PIN DIA 14.0 HDR ASSY.90DEG	CODE HOUSING FOLLOW 2-2399609-1	J	PA66-GF	ORANGE	(315)	1	9
2-2399609-8	H	1POS.PIN DIA 14.0 HDR ASSY.90DEG	CODE HOUSING FOLLOW 2-2399609-1	H	PA66-GF	YELLOW	(315)	1	9
2-2399609-7	G	1POS.PIN DIA 14.0 HDR ASSY.90DEG	CODE HOUSING FOLLOW 2-2399609-1	G	PA66-GF	RED	(315)	1	9
2-2399609-6	F	1POS.PIN DIA 14.0 HDR ASSY.90DEG	CODE HOUSING FOLLOW 2-2399609-1	F	PA66-GF	BROWN	(315)	1	9
2-2399609-5	E	1POS.PIN DIA 14.0 HDR ASSY.90DEG	CODE HOUSING FOLLOW 2-2399609-1	E	PA66-GF	GREEN	(315)	1	9
2-2399609-4	D	1POS.PIN DIA 14.0 HDR ASSY.90DEG	CODE HOUSING FOLLOW 2-2399609-1	D	PA66-GF	PURPLE	(315)	1	9
2-2399609-3	C	1POS.PIN DIA 14.0 HDR ASSY.90DEG	CODE HOUSING FOLLOW 2-2399609-1	C	PA66-GF	BLUE	(315)	1	9
2-2399609-2	B	1POS.PIN DIA 14.0 HDR ASSY.90DEG	CODE HOUSING FOLLOW 2-2399609-1	B	PA66-GF	NATURE	(315)	1	9
2-2399609-1	A	1POS.PIN DIA 14.0 HDR ASSY.90DEG	CODE HOUSING	A	PA66-GF	BLACK	(315)	1	9
			HEADER TPA	-	PA66-GF	RED		1	8
			FINGER PROTECTION CAP	-	PA66-GF	BLACK		1	7
			FACE SEAL	-	SILICONE	RED		1	6
			BUSBAR OVERMOLD,RIGHT SIDE	-	-	-		1	5
			OUTER HOUSING	-	PA66-GF	BLACK		1	4
			INNER HOUSING	-	PA66-GF	BLACK		1	3
			HV INTERLOCK CABLE	-	-	-		2	2
			HEADER HOUSING 90DEG.1POS	-	AL-ALLOY	NICKEL PLATED		1	1

1. MISSING DIMENSIONS ACC. TO 2399609-1

TE-ASSY-NO	CODE	DESCRIPTION	DESCRIPTION	CODE	MATERIAL	SURFACE COLOR	WEIGHT (g)	QTY	ITEM
5-2399609-3	M	1POS.PIN DIA 14.0 HDR ASSY.90DEG	CODE HOUSING FOLLOW 4-2399609-1	M	PA66-GF	AQUA RED	(315)	1	9
5-2399609-2	L	1POS.PIN DIA 14.0 HDR ASSY.90DEG	CODE HOUSING FOLLOW 4-2399609-1	L	PA66-GF	AQUA BROWN	(315)	1	9
5-2399609-1	K	1POS.PIN DIA 14.0 HDR ASSY.90DEG	CODE HOUSING FOLLOW 4-2399609-1	K	PA66-GF	AQUA GREEN	(315)	1	9
4-2399609-9	J	1POS.PIN DIA 14.0 HDR ASSY.90DEG	CODE HOUSING FOLLOW 4-2399609-1	J	PA66-GF	ORANGE	(315)	1	9
4-2399609-8	H	1POS.PIN DIA 14.0 HDR ASSY.90DEG	CODE HOUSING FOLLOW 4-2399609-1	H	PA66-GF	YELLOW	(315)	1	9
4-2399609-7	G	1POS.PIN DIA 14.0 HDR ASSY.90DEG	CODE HOUSING FOLLOW 4-2399609-1	G	PA66-GF	RED	(315)	1	9
4-2399609-6	F	1POS.PIN DIA 14.0 HDR ASSY.90DEG	CODE HOUSING FOLLOW 4-2399609-1	F	PA66-GF	BROWN	(315)	1	9
4-2399609-5	E	1POS.PIN DIA 14.0 HDR ASSY.90DEG	CODE HOUSING FOLLOW 4-2399609-1	E	PA66-GF	GREEN	(315)	1	9
4-2399609-4	D	1POS.PIN DIA 14.0 HDR ASSY.90DEG	CODE HOUSING FOLLOW 4-2399609-1	D	PA66-GF	PURPLE	(315)	1	9
4-2399609-3	C	1POS.PIN DIA 14.0 HDR ASSY.90DEG	CODE HOUSING FOLLOW 4-2399609-1	C	PA66-GF	BLUE	(315)	1	9
4-2399609-2	B	1POS.PIN DIA 14.0 HDR ASSY.90DEG	CODE HOUSING FOLLOW 4-2399609-1	B	PA66-GF	NATURE	(315)	1	9
4-2399609-1	A	1POS.PIN DIA 14.0 HDR ASSY.90DEG	CODE HOUSING	A	PA66-GF	BLACK	(315)	1	9
			HEADER TPA	-	PA66-GF	RED		1	8
			FINGER PROTECTION CAP	-	PA66-GF	BLACK		1	7
			FACE SEAL	-	SILICONE	RED		1	6
			BUSBAR OVERMOLD,BACK SIDE	-	-	-		1	5
			OUTER HOUSING	-	PA66-GF	BLACK		1	4
			INNER HOUSING	-	PA66-GF	BLACK		1	3
			HV INTERLOCK CABLE	-	-	-		2	2
			HEADER HOUSING 90DEG.1POS	-	AL-ALLOY	NICKEL PLATED		1	1

THIS DRAWING IS A CONTROLLED DOCUMENT.

DATE: 29DEC2021
 DRAWN BY: S.TAN
 CHECKED BY: L.L.
 APPROVED BY: J.VIN

TE Connectivity

NAME: 1POS.PIN DIA 14.0.HDR ASSY.90DEG
 HVP-HD14.00

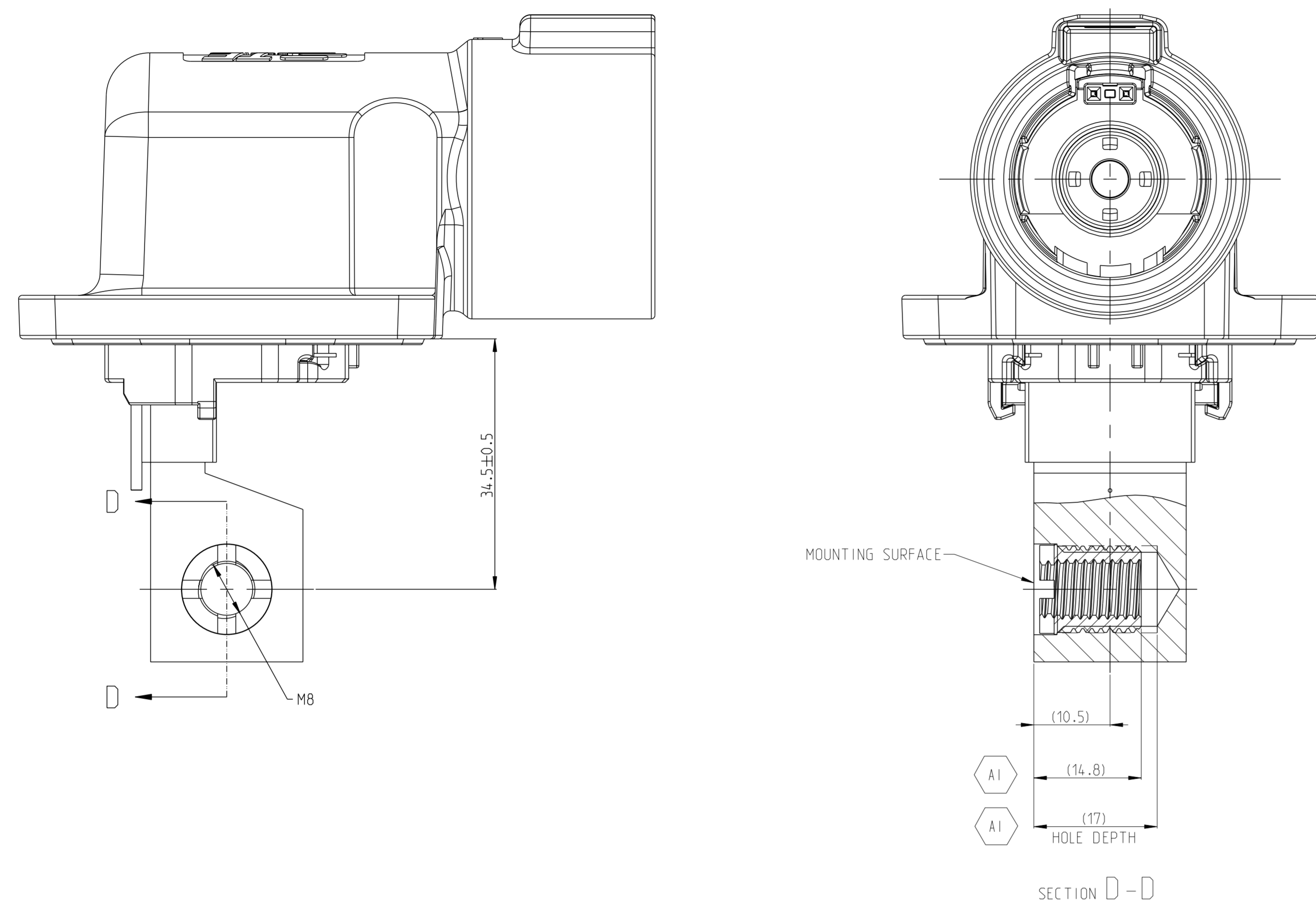
JOB: 160407
 APPLICATION SPEC: 114-160222

SCALE: 2:1
 SHEET: 2 OF 5

RESTRICTED TO: -

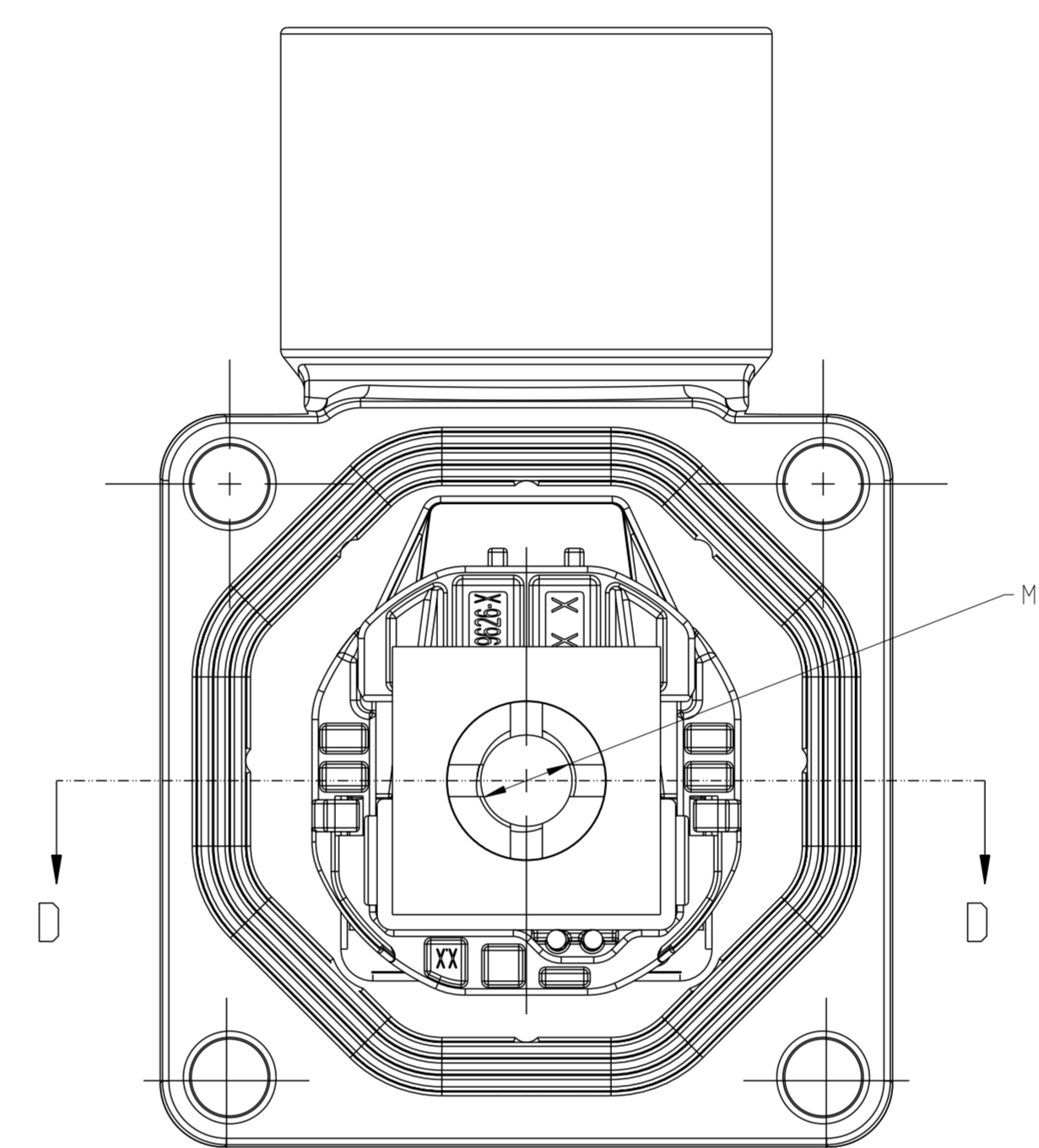
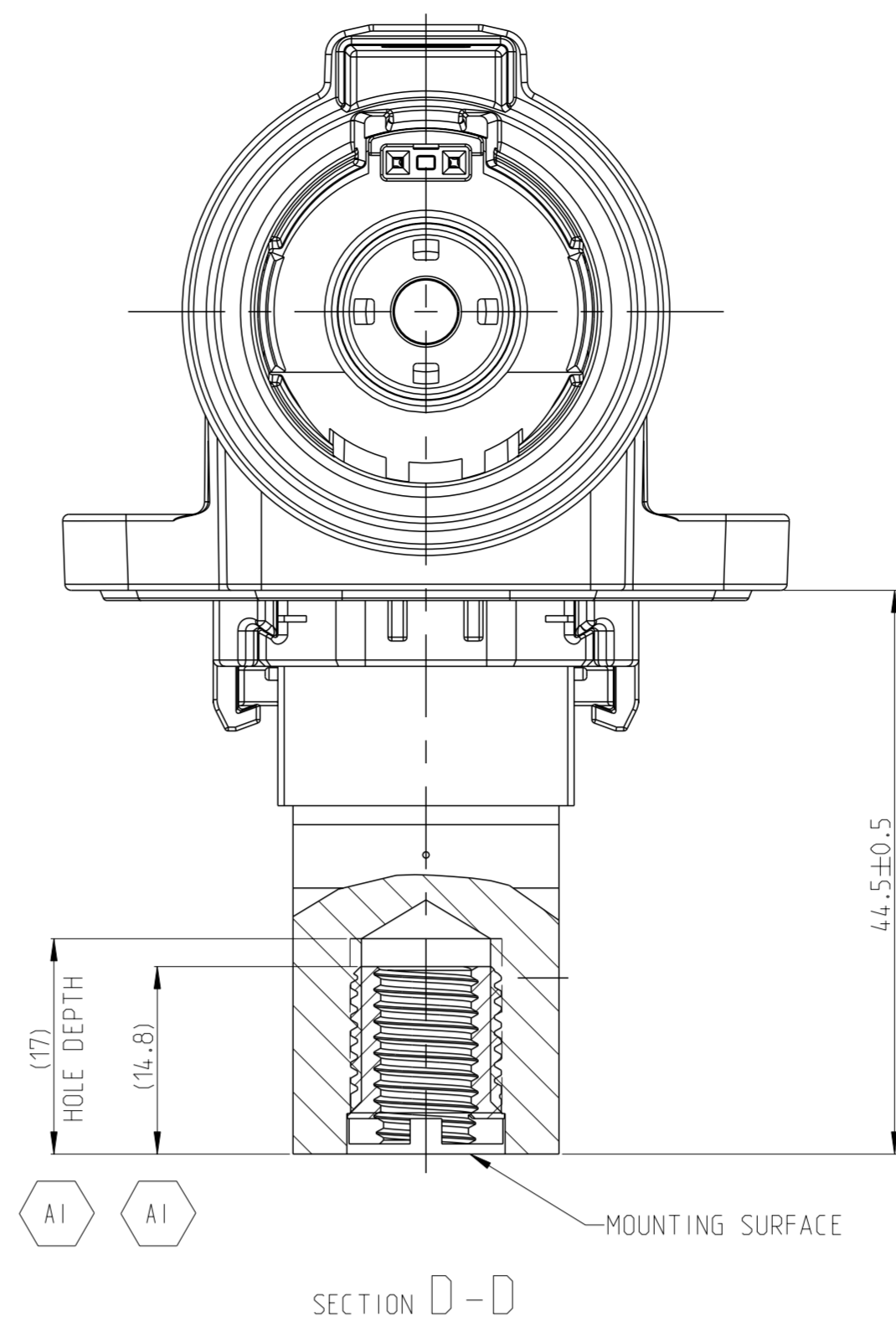
SEE TABLE

REVISIONS			
REV	DATE	BY	APPV
-	SEE SHEET 1	-	-



1. MISSING DIMENSIONS ACC. TO 2399609-1

TE-ASSY-NO	CODE	DESCRIPTION	DESCRIPTION	CODE	MATERIAL	SURFACE COLOR	WEIGHT (g)	QTY	ITEM
7-2399609-3	M	1POS.PIN DIA 14.0 HDR ASSY.90DEG	CODE HOUSING FOLLOW 6-2399609-1	M	PA66-GF	AQUA RED	(315)	1	9
7-2399609-2	L	1POS.PIN DIA 14.0 HDR ASSY.90DEG	CODE HOUSING FOLLOW 6-2399609-1	L	PA66-GF	AQUA BROWN	(315)	1	9
7-2399609-1	K	1POS.PIN DIA 14.0 HDR ASSY.90DEG	CODE HOUSING FOLLOW 6-2399609-1	K	PA66-GF	AQUA GREEN	(315)	1	9
6-2399609-9	J	1POS.PIN DIA 14.0 HDR ASSY.90DEG	CODE HOUSING FOLLOW 6-2399609-1	J	PA66-GF	ORANGE	(315)	1	9
6-2399609-8	H	1POS.PIN DIA 14.0 HDR ASSY.90DEG	CODE HOUSING FOLLOW 6-2399609-1	H	PA66-GF	YELLOW	(315)	1	9
6-2399609-7	G	1POS.PIN DIA 14.0 HDR ASSY.90DEG	CODE HOUSING FOLLOW 6-2399609-1	G	PA66-GF	RED	(315)	1	9
6-2399609-6	F	1POS.PIN DIA 14.0 HDR ASSY.90DEG	CODE HOUSING FOLLOW 6-2399609-1	F	PA66-GF	BROWN	(315)	1	9
6-2399609-5	E	1POS.PIN DIA 14.0 HDR ASSY.90DEG	CODE HOUSING FOLLOW 6-2399609-1	E	PA66-GF	GREEN	(315)	1	9
6-2399609-4	D	1POS.PIN DIA 14.0 HDR ASSY.90DEG	CODE HOUSING FOLLOW 6-2399609-1	D	PA66-GF	PURPLE	(315)	1	9
6-2399609-3	C	1POS.PIN DIA 14.0 HDR ASSY.90DEG	CODE HOUSING FOLLOW 6-2399609-1	C	PA66-GF	BLUE	(315)	1	9
6-2399609-2	B	1POS.PIN DIA 14.0 HDR ASSY.90DEG	CODE HOUSING FOLLOW 6-2399609-1	B	PA66-GF	NATURE	(315)	1	9
6-2399609-1	A	1POS.PIN DIA 14.0 HDR ASSY.90DEG	CODE HOUSING	A	PA66-GF	BLACK	(315)	1	9
			HEADER TPA	-	PA66-GF	RED		1	8
			FINGER PROTECTION CAP	-	PA66-GF	BLACK		1	7
			FACE SEAL	-	SILICONE	RED		1	6
			BUSBAR OVERMOLD,LEFT SIDE	-	-	-		1	5
			OUTER HOUSING	-	PA66-GF	BLACK		1	4
			INNER HOUSING	-	PA66-GF	BLACK		1	3
			HV INTERLOCK CABLE	-	-	-		2	2
HEADER HOUSING 90DEG,1POS	-	AL-ALLOY	NICKEL PLATED	1	1				



1. MISSING DIMENSIONS ACC. TO 2399609-1

9-2399609-3	M	1POS.PIN DIA 14.0 HDR ASSY.90DEG	CODE HOUSING FOLLOW 8-2399609-1	M	PA66-GF	AQUA RED	(315)	1	9
9-2399609-2	L	1POS.PIN DIA 14.0 HDR ASSY.90DEG	CODE HOUSING FOLLOW 8-2399609-1	L	PA66-GF	AQUA BROWN	(315)	1	9
9-2399609-1	K	1POS.PIN DIA 14.0 HDR ASSY.90DEG	CODE HOUSING FOLLOW 8-2399609-1	K	PA66-GF	AQUA GREEN	(315)	1	9
8-2399609-9	J	1POS.PIN DIA 14.0 HDR ASSY.90DEG	CODE HOUSING FOLLOW 8-2399609-1	J	PA66-GF	ORANGE	(315)	1	9
8-2399609-8	H	1POS.PIN DIA 14.0 HDR ASSY.90DEG	CODE HOUSING FOLLOW 8-2399609-1	H	PA66-GF	YELLOW	(315)	1	9
8-2399609-7	G	1POS.PIN DIA 14.0 HDR ASSY.90DEG	CODE HOUSING FOLLOW 8-2399609-1	G	PA66-GF	RED	(315)	1	9
8-2399609-6	F	1POS.PIN DIA 14.0 HDR ASSY.90DEG-SEAL	CODE HOUSING FOLLOW 8-2399609-1	F	PA66-GF	BROWN	(315)	1	9
8-2399609-5	E	1POS.PIN DIA 14.0 HDR ASSY.90DEG	CODE HOUSING FOLLOW 8-2399609-1	E	PA66-GF	GREEN	(315)	1	9
8-2399609-4	D	1POS.PIN DIA 14.0 HDR ASSY.90DEG	CODE HOUSING FOLLOW 8-2399609-1	D	PA66-GF	PURPLE	(315)	1	9
8-2399609-3	C	1POS.PIN DIA 14.0 HDR ASSY.90DEG	CODE HOUSING FOLLOW 8-2399609-1	C	PA66-GF	BLUE	(315)	1	9
8-2399609-2	B	1POS.PIN DIA 14.0 HDR ASSY.90DEG	CODE HOUSING FOLLOW 8-2399609-1	B	PA66-GF	NATURE	(315)	1	9
8-2399609-1	A	1POS.PIN DIA 14.0 HDR ASSY.90DEG	CODE HOUSING	A	PA66-GF	BLACK	(315)	1	9
			HEADER TPA	-	PA66-GF	RED		1	8
			FINGER PROTECTION CAP	-	PA66-GF	BLACK		1	7
			FACE SEAL	-	SILICONE	RED		1	6
			BUSBAR OVERMOLD,TOP SIDE	-	-	-		1	5
			OUTER HOUSING	-	PA66-GF	BLACK		1	4
			INNER HOUSING	-	PA66-GF	BLACK		1	3
			HV INTERLOCK CABLE	-	-	-		2	2
HEADER HOUSING 90DEG,1POS	-	AL-ALLOY	NICKEL PLATED	1	1				

THIS DRAWING IS A CONTROLLED DOCUMENT.

DATE: 29DEC2021
 CHK: J.L.L.
 DATE: 29DEC2021
 DATE: 29DEC2021

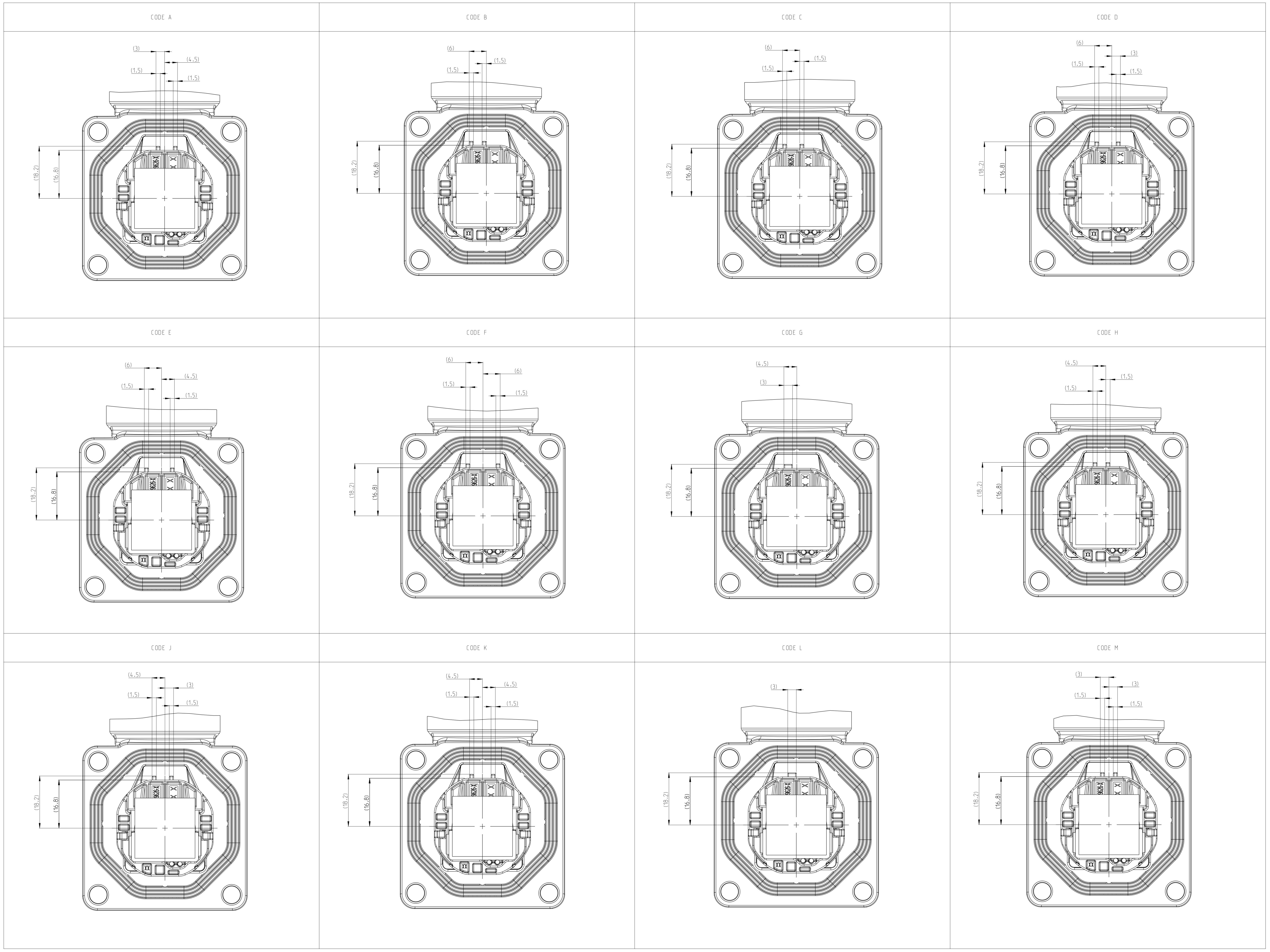
TE Connectivity

1POS.PIN DIA 14.0.HDR ASSY.90DEG
 HVP-HD14.00

JOB-160407
 APPLICATION SPEC: 114-160222

SCALE: 2:1 SHEET 3 OF 5

REVISIONS			
REV	DATE	BY	APPD
-	SEE SHEET 1	-	-



printed on 20 Apr 2022 09:43 (China Standard Time from 15:53:07)

THIS DRAWING IS A CONTROLLED DOCUMENT.

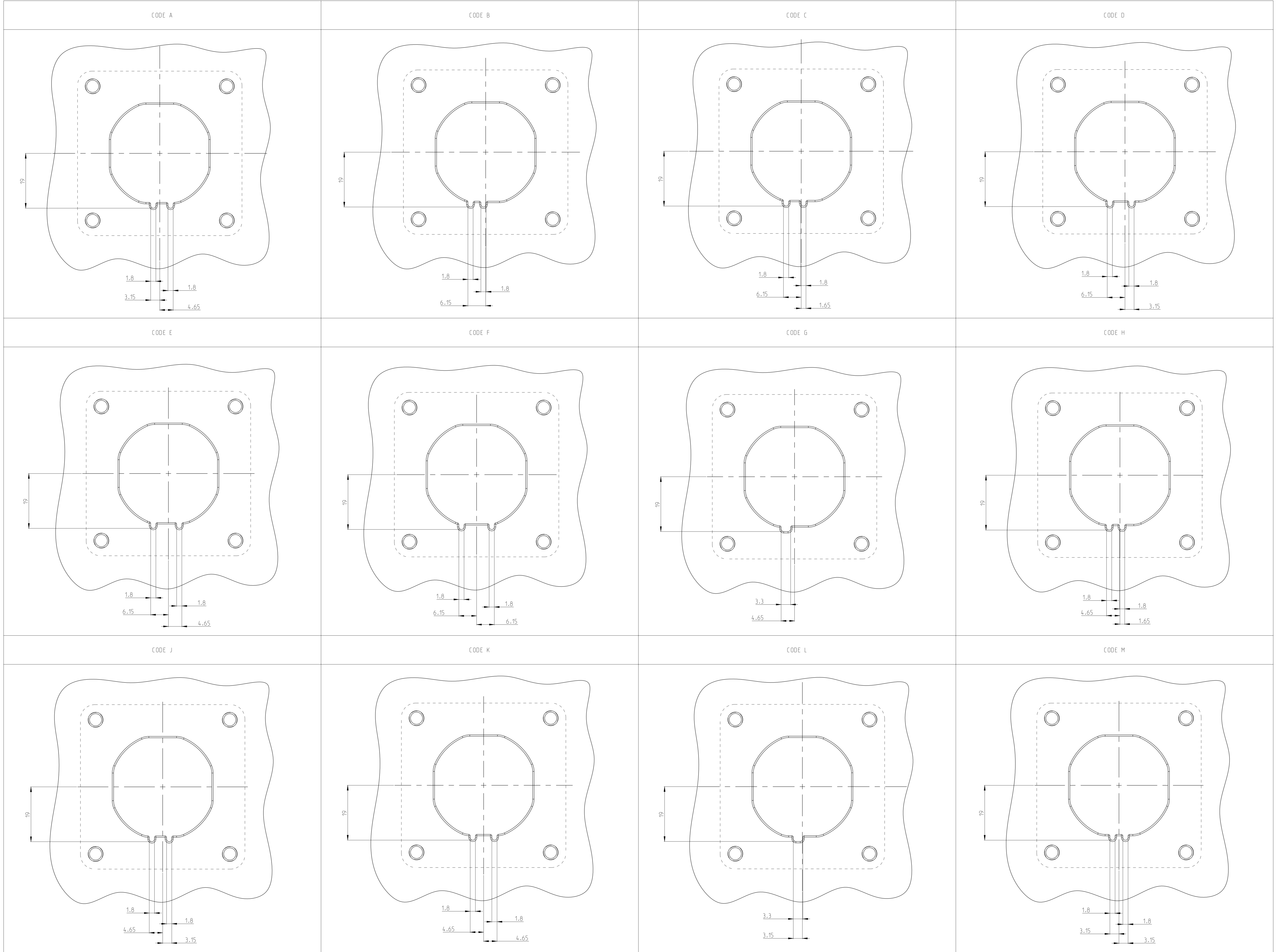
DESIGNED BY: S. TAN	DATE: 29DEC2021	 TE Connectivity
CHECKED BY: L.L.	DATE: 29DEC2021	
APPROVED BY: J. LYIN	DATE: 29DEC2021	
DATE: 29DEC2021	DATE: 29DEC2021	

DIMENSIONS: INCH TOLERANCES UNLESS OTHERWISE SPECIFIED: 1. DIMS: ±0.5 2. DIMS: ±0.1 3. DIMS: ±0.05 4. DIMS: ±0.001 5. DIMS: ±0.002 6. DIMS: ±0.001	PRODUCT SPEC: 108-160407 APPLICATION SPEC: 314-160222 WEIGHT: SEE TABLE FINISH: SPEC 2	NAME: 1POS. PIN DIA 14.0.HDR ASSY.90DEG HVP-HD14.00 SIZE: A0 CASE CODE: 00779 DRAWING NO: C=2399609 SCALE: 2:1 SHEET: 4 of 5 REV: A1
---	---	--

MATERIAL: SEE TABLE

CUSTOMER DRAWING

REVISIONS			
REV	DATE	BY	APPV
-	SEE SHEET 1	-	-



printed on 20 Apr 2022 09:13 (Thu) Standard Time from 15252079

THIS DRAWING IS A CONTROLLED DOCUMENT.		DATE: 29DEC2021	REV: 1	 TE Connectivity
DESIGNED BY: S.TAN	CHECKED BY: L.L.	DATE: 29DEC2021	REV: 1	
DRAWN BY: S.TAN	APPROVED BY: L.L.	DATE: 29DEC2021	REV: 1	NAME: 1POS.PIN DIA 14.0.HDR ASSY.90DEG HVP-HD14.00
MATERIAL: SEE TABLE	FINISH: SPEC 2	WEIGHT: SEE TABLE	SCALE: 2:1	SIZE: A0 CASE CODE: 00779 DRAWING NO: C=2399609
CUSTOMER DRAWING		SHEET 5 OF 5		RESTRICTED TO: -

X-ON Electronics

Largest Supplier of Electrical and Electronic Components

Click to view similar products for [Headers & Wire Housings](#) category:

Click to view products by [TE Connectivity](#) manufacturer:

Other Similar products are found below :

[892-18-020-10-001101](#) [0010894062](#) [0010977306](#) [0015477636](#) [0015917161](#) [0022104068](#) [0022121042](#) [0022155065](#) [0022281023](#) [57102-F02-18ULF](#) [58102-G61-06LF](#) [582553-1](#) [0015911208](#) [01.001.5753.1](#) [0022285048](#) [0050291907](#) [02.125.8002.8](#) [CSU011177004](#) [622-0430](#) [622-3653LF](#) [63453-116](#) [636-1030](#) [636-1427](#) [636-3427](#) [636-4007](#) [641938-9](#) [65495-038](#) [65692-001LF](#) [65781-018](#) [65781-047](#) [65817-010LF](#) [65817-015LF](#) [67095-007LF](#) [67601157](#) [68631-112](#) [68645-018](#) [699319-000](#) [70.362.1628.0](#) [70-4210](#) [70-4226B](#) [70-4853B](#) [707-5028](#) [71.350.2428.0](#) [733-134](#) [733-162](#) [760-3052](#) [MHR-64-VUAL](#) [80.063.4001.1](#) [800-90-001-10-001000](#) [801-43-002-10-013000](#)