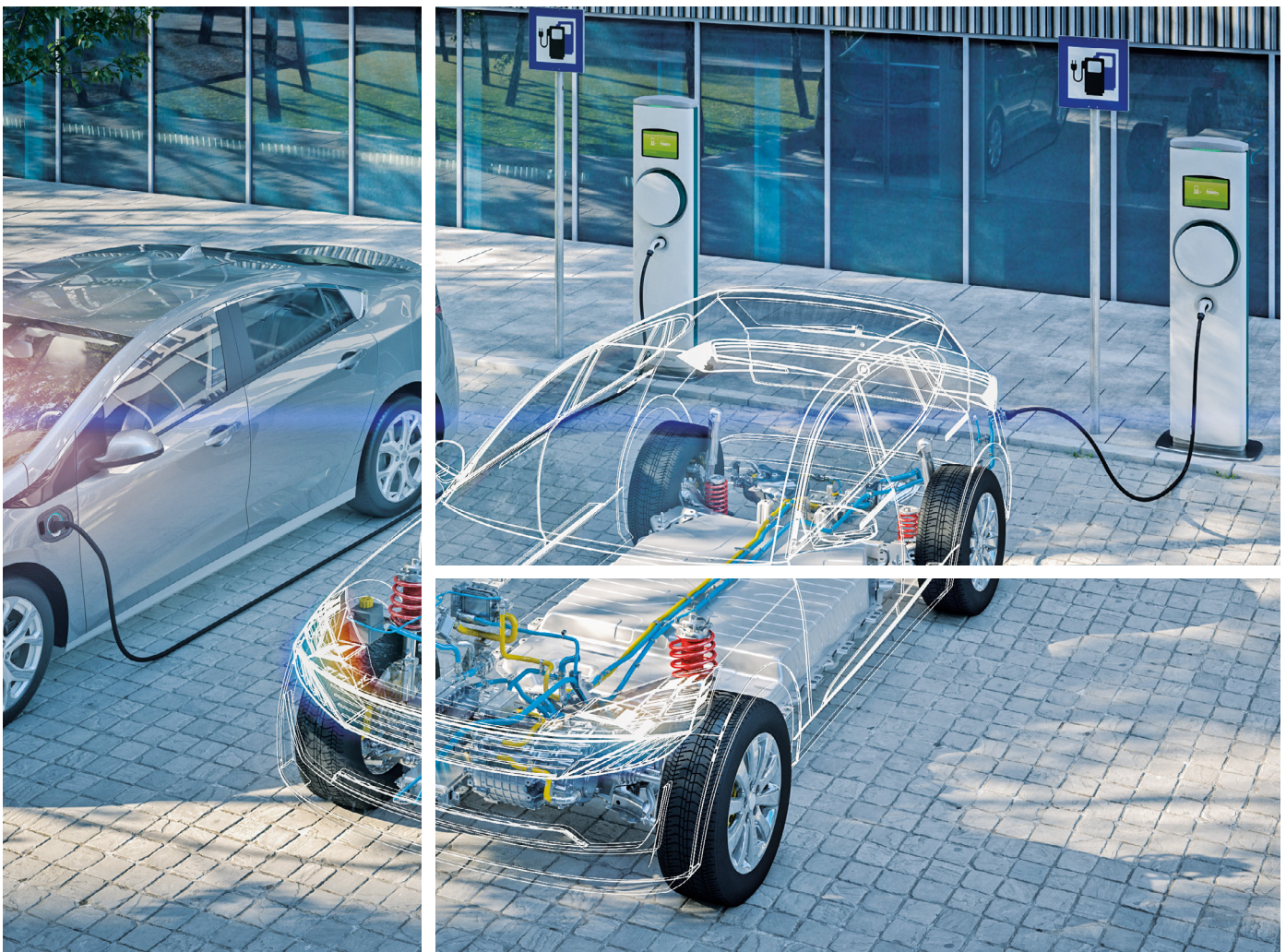


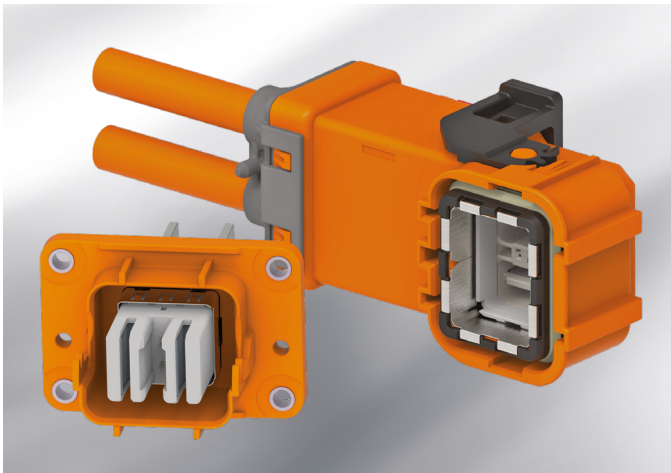
HC-STAK 25 HV INTERCONNECTION SYSTEM

HIGH-VOLTAGE
AUTOMOTIVE INTERCONNECTION



HC-STAK 25 HV Interconnection System

The HC-STAK 25 high-voltage (HV) interconnection system is specifically designed to support the increased connectivity requirements in high-voltage interconnection systems of hybrid and all-electric vehicles. It provides a safer and reliable connection between the HV battery and the inverter or power distribution / e-motor.



HC-STAK 25 interconnection system features a high performance interconnection system that is both scalable and capable of reliable high-power distribution to each aggregate throughout the lifetime of the vehicle. A noteworthy double ended-fork terminal system provides a low contact resistance arrangement while meeting sealing, shielding, and touch-safe requirements in a very compact package. It has the flexibility to interconnect with a wide range of conductor cross-sections, geometry, and materials.

Product highlights

- Suitable for connector voltage levels up to 1,000 VDC
- Very compact dimensions 50 x 57 x 116 mm
- Wire range from 25 mm² to 50 mm²
- Current capability 257 A at 85°C (50 mm²)
- Connector options 90° plug and 180° header
- Multiple contact points up to 40 per circuit
- Double-ended fork contact
- Vibration level USCAR V1

Typical applications

Hybrid and electric vehicle powertrains:

- HV battery and inverter
- Power distribution / e-motor.

For more information visit our websites

HC-STAK 25 HV Interconnection System

te.com/HC-STAK

Hybrid & Electric Mobility Solutions

te.com/hems

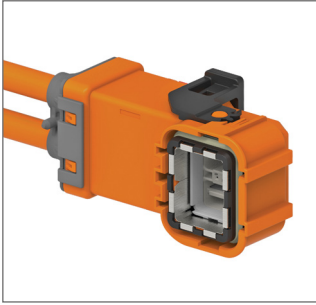
Next-Generation Mobility

High-Voltage Connectivity Solutions

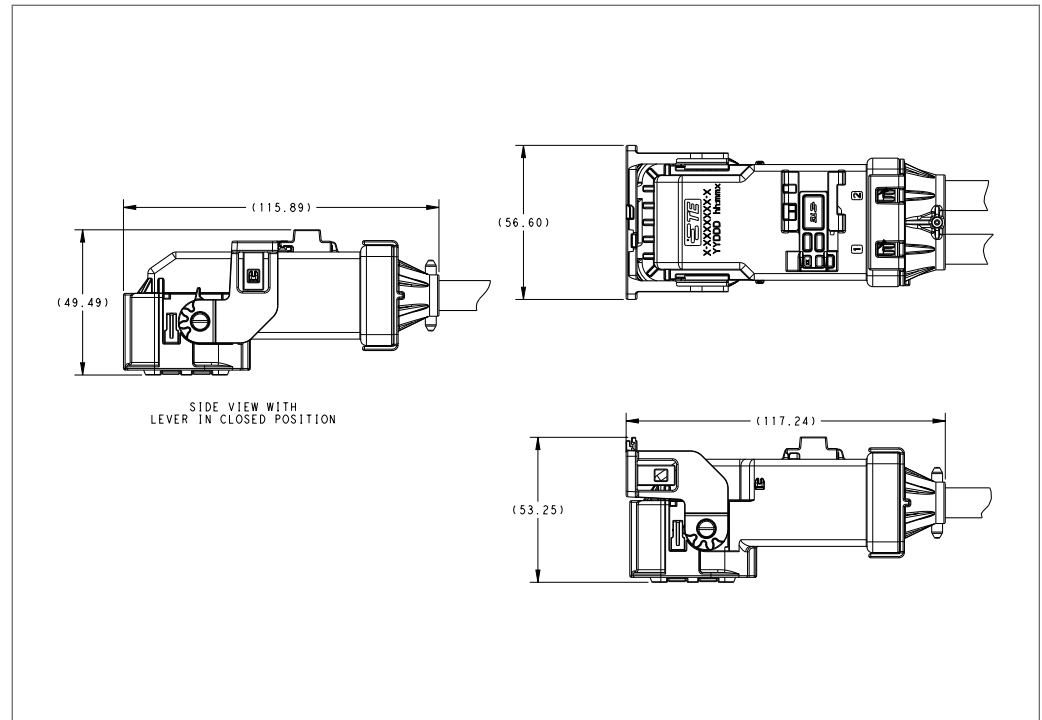
te.com/next-gen-mobility

Connectivity Solutions - From the Charging Inlet through the Battery to the E-Motor

te.com/electrifying-a-movement



HC-STAK 25 2 p hi - Plug 90°



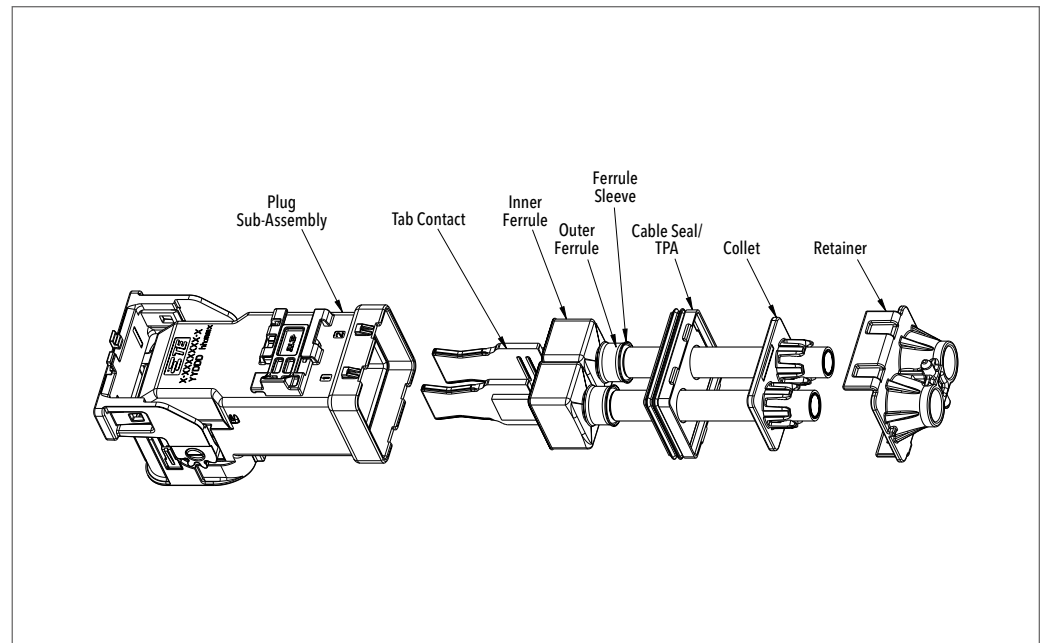
Drawing 2349157 *

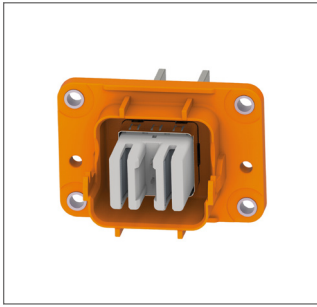
Applications

- Inverter
- HV Battery
- E-motor

Technical Features

- Poles:**
2
- Terminal Size / System:**
2.5 mm / Fork contact
- Conductor Cross-Sections:**
25 mm² - 50 mm²
- Wire Type:**
Shielded
- Tab Size:**
42.4 mm x 2.5 mm x 23 mm
- Voltage Rating:**
1,000 VDC
- Temperature Range:**
-40°C up to 125°C
- Current Carrying Capability:**
257 A at 85°C (50 mm²)
- IP Rating, Mated:**
IP6K7, IP6K9K
- IP Rating, Unmated:**
IP2XB
- HV Interlock Option:**
Shunted in Plug
- Latch Access Type:**
Lever
- CPA:**
Yes
- Fire Classification:**
V0 (Inner Housing)
- Vibration Level:**
USCAR-2 Class V1
- Shielding / Options:**
Yes
- Available Codings:**
A, B
- Product Specification:**
108-160108
- Application Specification:**
114-162001





Applications

- Inverter
- HV Battery
- E-motor

Technical Features

Poles:

2

Terminal Size / System:

2.5 mm / Fork contact

Conductor Cross-Sections:

25 mm² – 50 mm²

Wire Type:

Shielded

Voltage Rating:

1,000 VDC

Temperature Range:

-40°C up to 125°C

Current Carrying Capability:

257 A at 85°C (50 mm²)

IP Rating, Mated:

IP6K7, IP6K9K

IP Rating, Unmated:

IP2XB

HV Interlock Option:

Yes

Latch Access Type:

Lever

Fire Classification:

V0

Vibration Level:

USCAR-2 Class V1

Shielding / Options:

Yes

Available Codings:

A, B

Product Specification:

108-160108

Application Specification:

408-160030

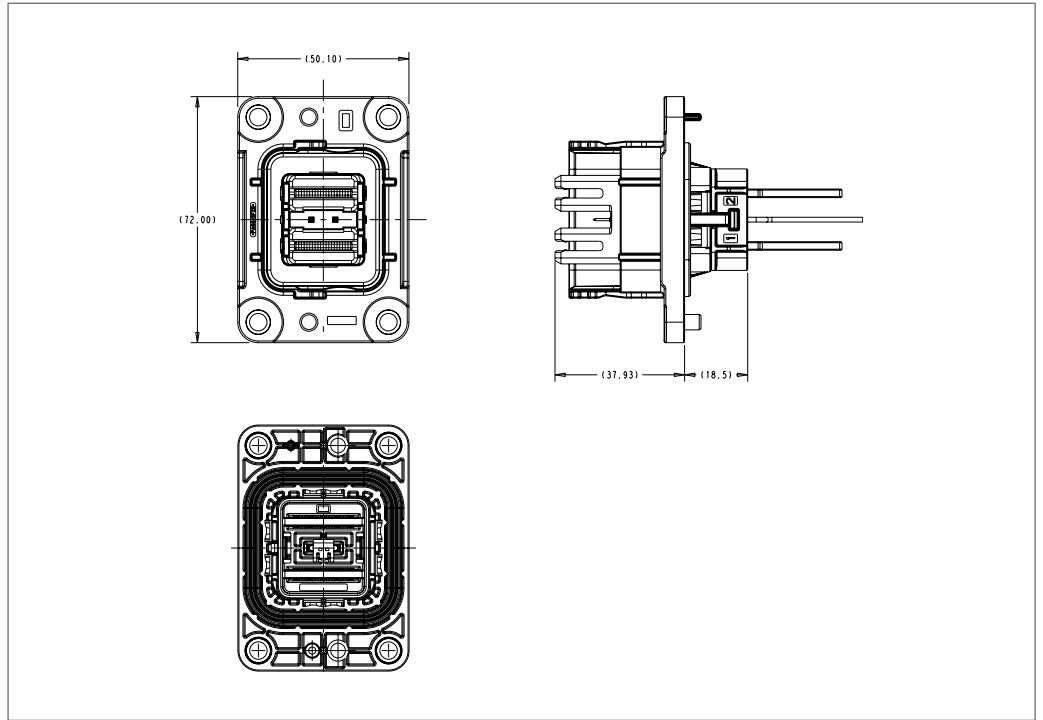
Inner Housing:

2359563-1

Interface Drawing:

2343034

HC-STAK 25 2p hi - Header

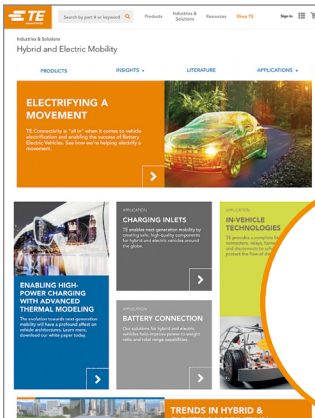


Drawing 2379307 *



TE CONNECTIVITY ONLINE

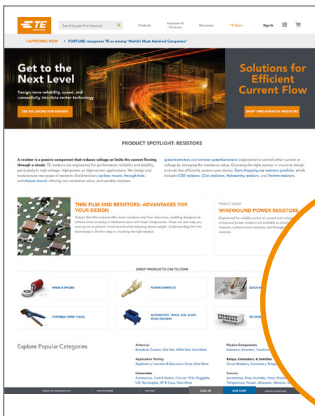
TE.com offers an enhanced digital experience, with more than 250,000 parts profiled. The site has deep, rich product data and easier access to tools and services. Other offerings include improved search and navigation and knowledge and idea sharing.



HYBRID & ELECTRIC MOBILITY APPLICATION

Learn more about TE Connectivity's (TE's) hybrid and electric mobility solutions and applications under:

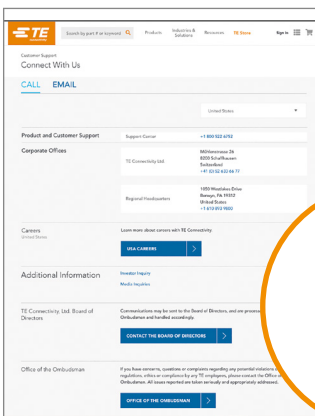
www.te.com/hybrid-electric-mobility



PRODUCT INFORMATION

Search for a specific product by category, part number or document number.

www.TE.com



STAY CONNECTED

You can rely on TE's PIC Team to answer your general or technical questions. To contact a PIC representative, visit

www.TE.com/support-center

EUROPE

Germany

Product Information Center:
Phone: +800 0440-5100
Fax: +49 6251-133-1988

UNITED STATES

United States - Harrisburg

Product Information Center:
Phone: +1 800-522-6752
Fax: +1 717-986-7575

SOUTH AMERICA

South America

Phone: +54 11-4733-2015
Fax: +54 11-4733-2083

AFRICA

South Africa -
Port Elizabeth

Phone: +27 41-503-4500
Fax: +27 41-581-0440

ASIA/PACIFIC

Australia - Sydney

Product Information Center:
Phone: +61 2-9840-8200
Fax: +61 2-9634-6188

People's Republic of China

Hong Kong
Phone: +852 2738-8731
Fax: +852 2735-0243

People's Republic of China

Shanghai
Phone: +86 21-3398-0000
Fax: +86 21-3398-1999

Korea - Seoul

Phone: +82 2-3415-4500
Fax: +82 2-3486-3810

DISCLAIMER

This document reflects the state-of-the-art result of the work of TE Connectivity (TE). While TE has made every reasonable effort to ensure the accuracy of the information in this document, TE does not guarantee that it is error-free, nor does TE make any other representation, warranty or guarantee that the information is accurate, correct, reliable or current. TE expressly disclaims all implied warranties regarding the information contained herein, including, but not limited to, any implied warranties of merchantability or fitness for a particular purpose. The document is subject to change without notice. Consult TE for the latest dimensions and design specifications.

TRADEMARKS

HC-STAK, TE, TE Connectivity, TE connectivity (logo), and EVERY CONNECTION COUNTS are trademarks owned or licensed by the TE Connectivity Ltd. family of companies.

USCAR is a trademark.

Other product names, logos, and company names mentioned herein may be trademarks of their respective owners.

COPYRIGHT

© 2021 TE Connectivity | All rights reserved.

7-1773984-6 | Published 01-2021

TE Connectivity Germany GmbH

Ampèrestrasse 12-14
64625 Bensheim | Germany



X-ON Electronics

Largest Supplier of Electrical and Electronic Components

Click to view similar products for [Headers & Wire Housings](#) category:

Click to view products by [TE Connectivity](#) manufacturer:

Other Similar products are found below :

[892-18-020-10-001101](#) [0010894062](#) [0010977306](#) [0015477636](#) [0015917161](#) [0022104068](#) [0022121042](#) [0022155065](#) [0022281023](#) [57102-F02-18ULF](#) [58102-G61-06LF](#) [582553-1](#) [0015911208](#) [01.001.5753.1](#) [0022285048](#) [0050291907](#) [02.125.8002.8](#) [CSU011177004](#) [622-0430](#) [622-3653LF](#) [63453-116](#) [636-1030](#) [636-1427](#) [636-3427](#) [636-4007](#) [641938-9](#) [65495-038](#) [65692-001LF](#) [65781-018](#) [65781-047](#) [65817-010LF](#) [65817-015LF](#) [67095-007LF](#) [67601157](#) [68631-112](#) [68645-018](#) [699319-000](#) [70.362.1628.0](#) [70-4210](#) [70-4226B](#) [70-4853B](#) [707-5028](#) [71.350.2428.0](#) [733-134](#) [733-162](#) [760-3052](#) [MHR-64-VUAL](#) [80.063.4001.1](#) [800-90-001-10-001000](#) [801-43-002-10-013000](#)