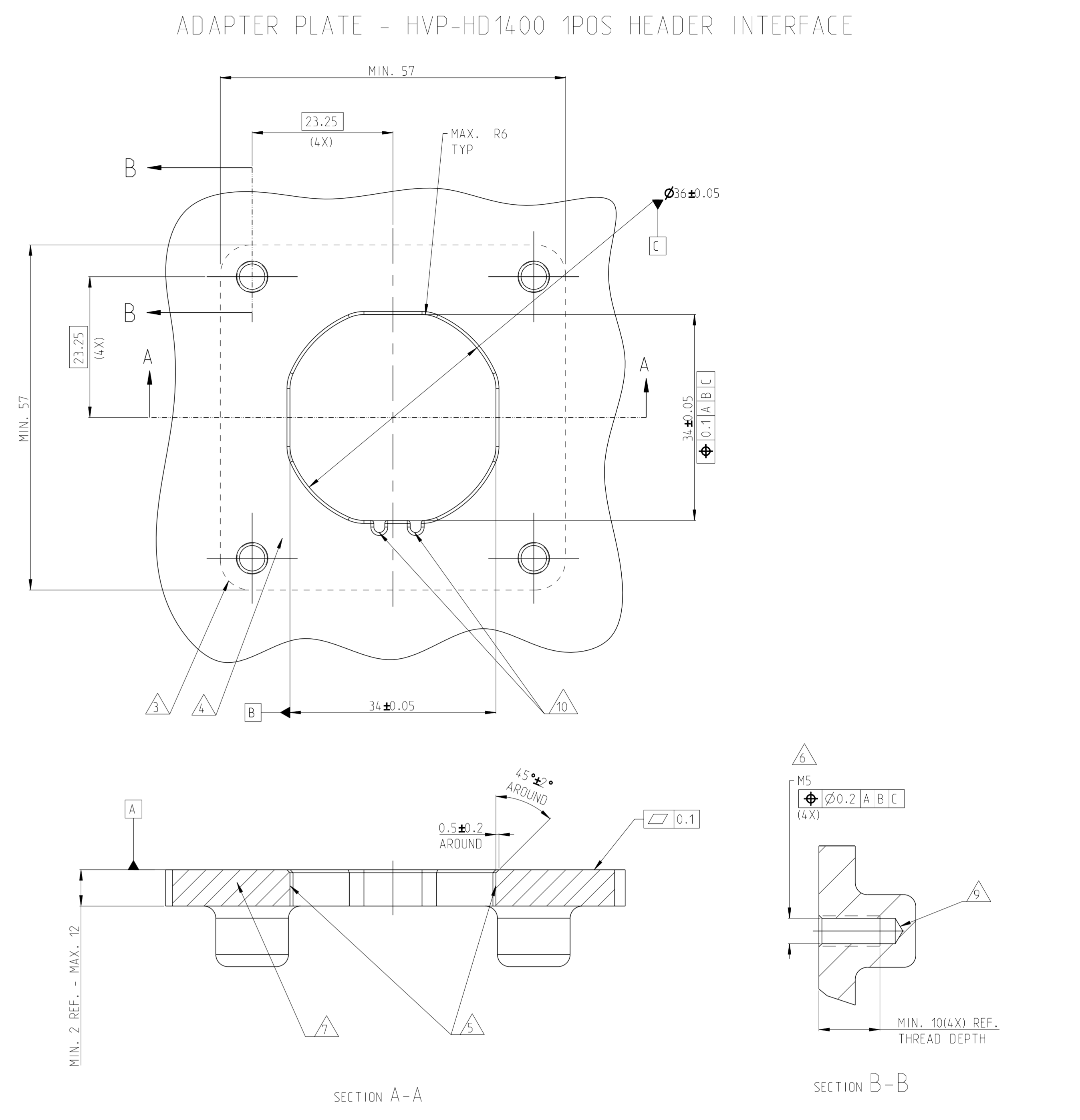
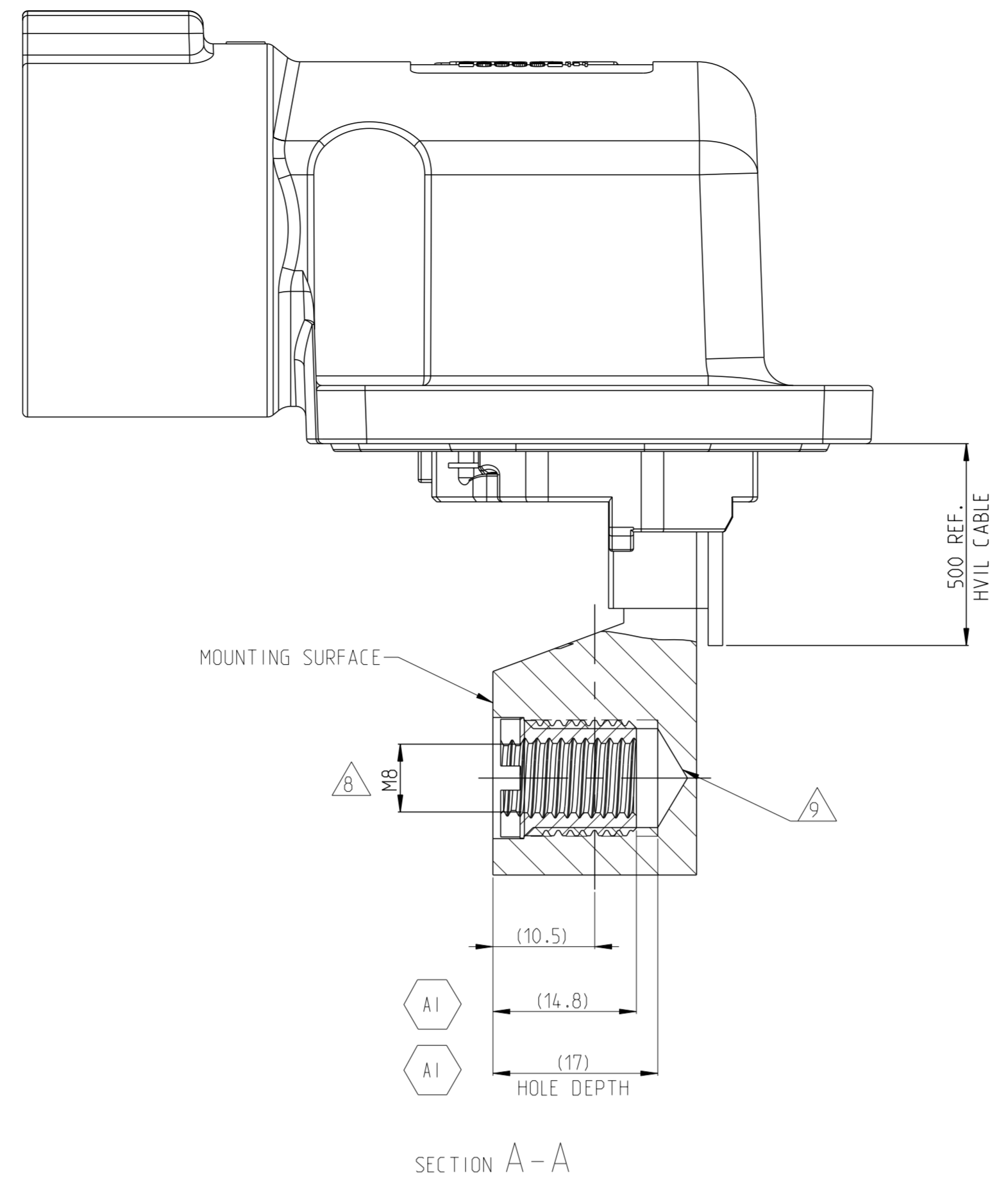
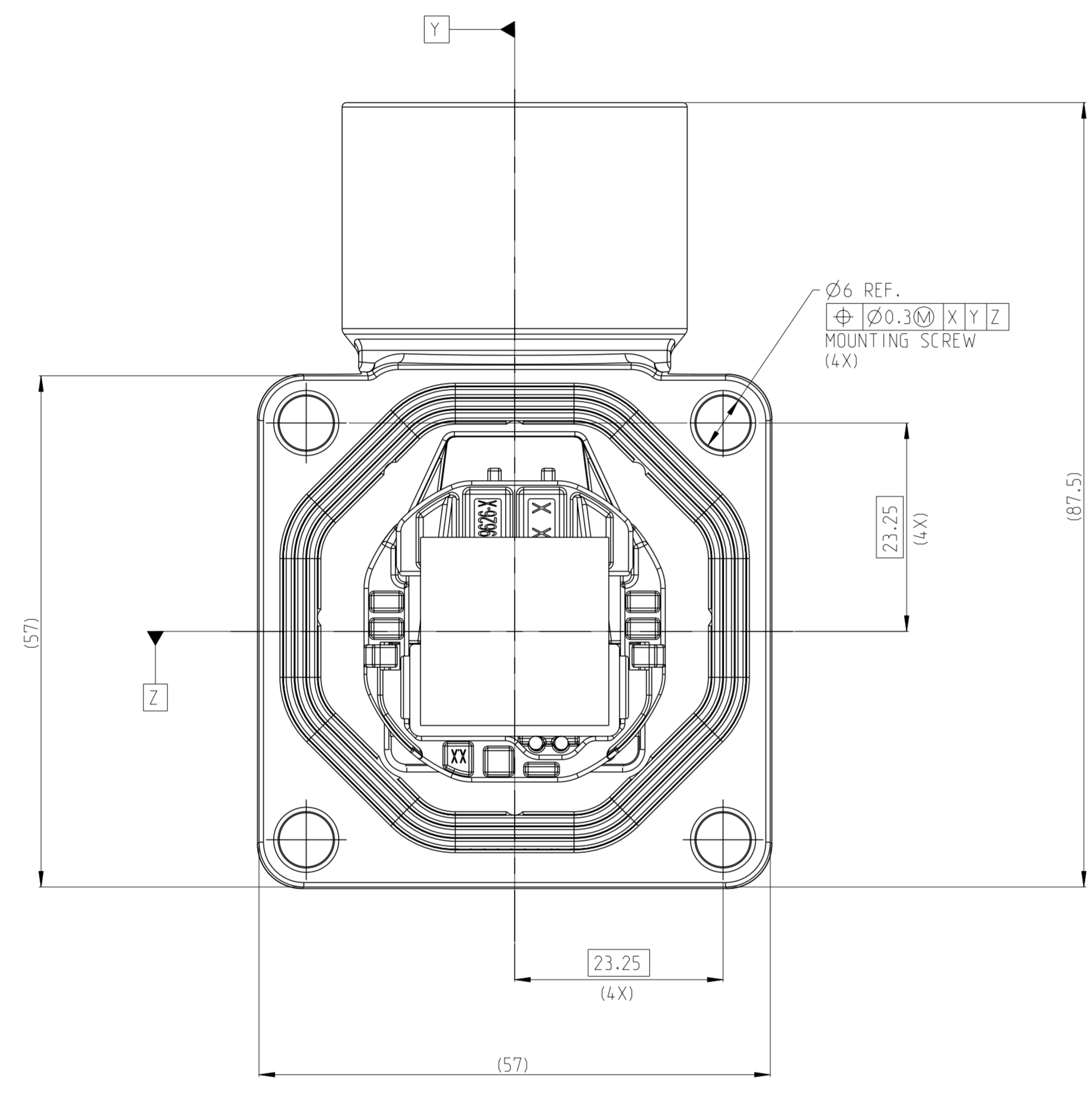
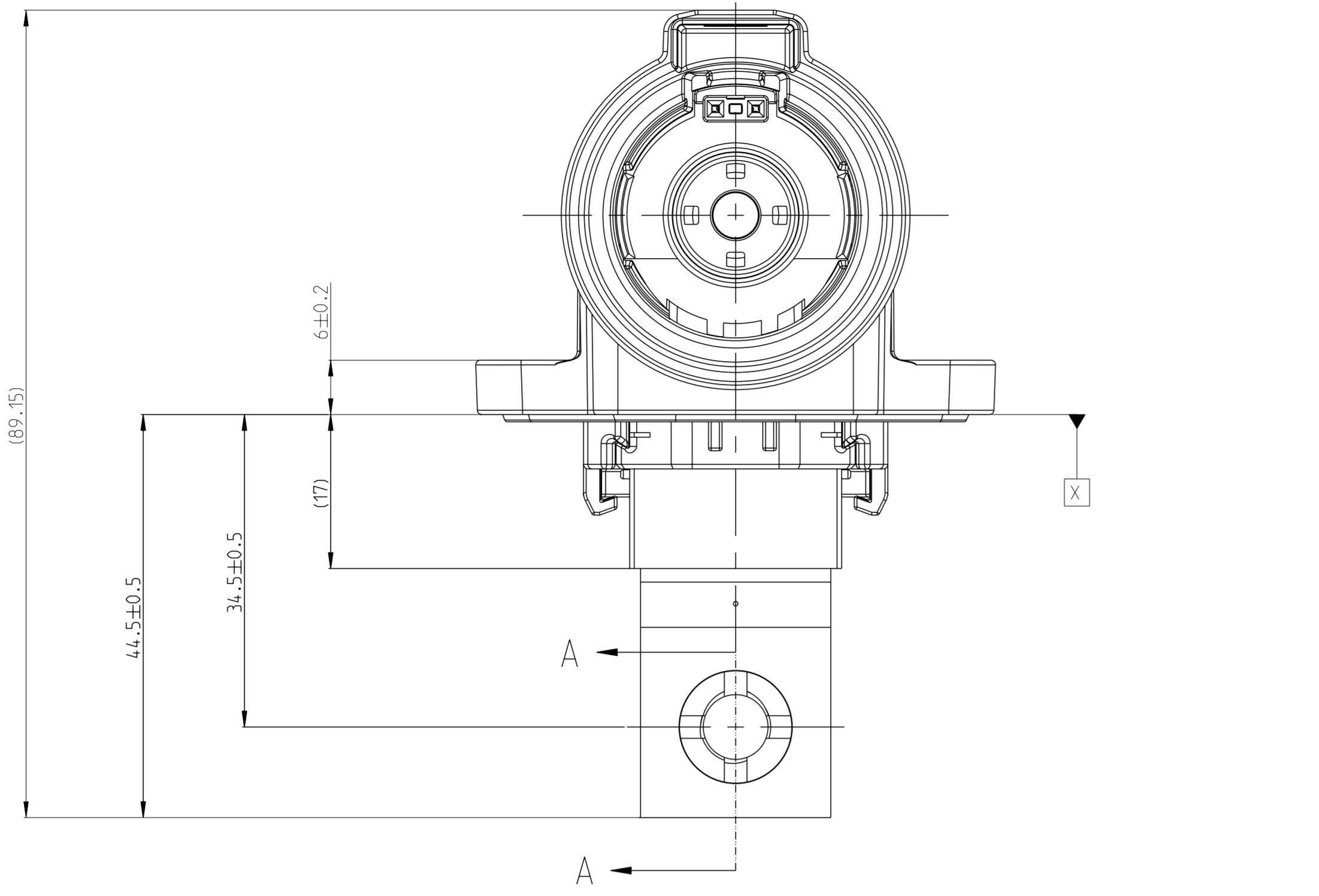
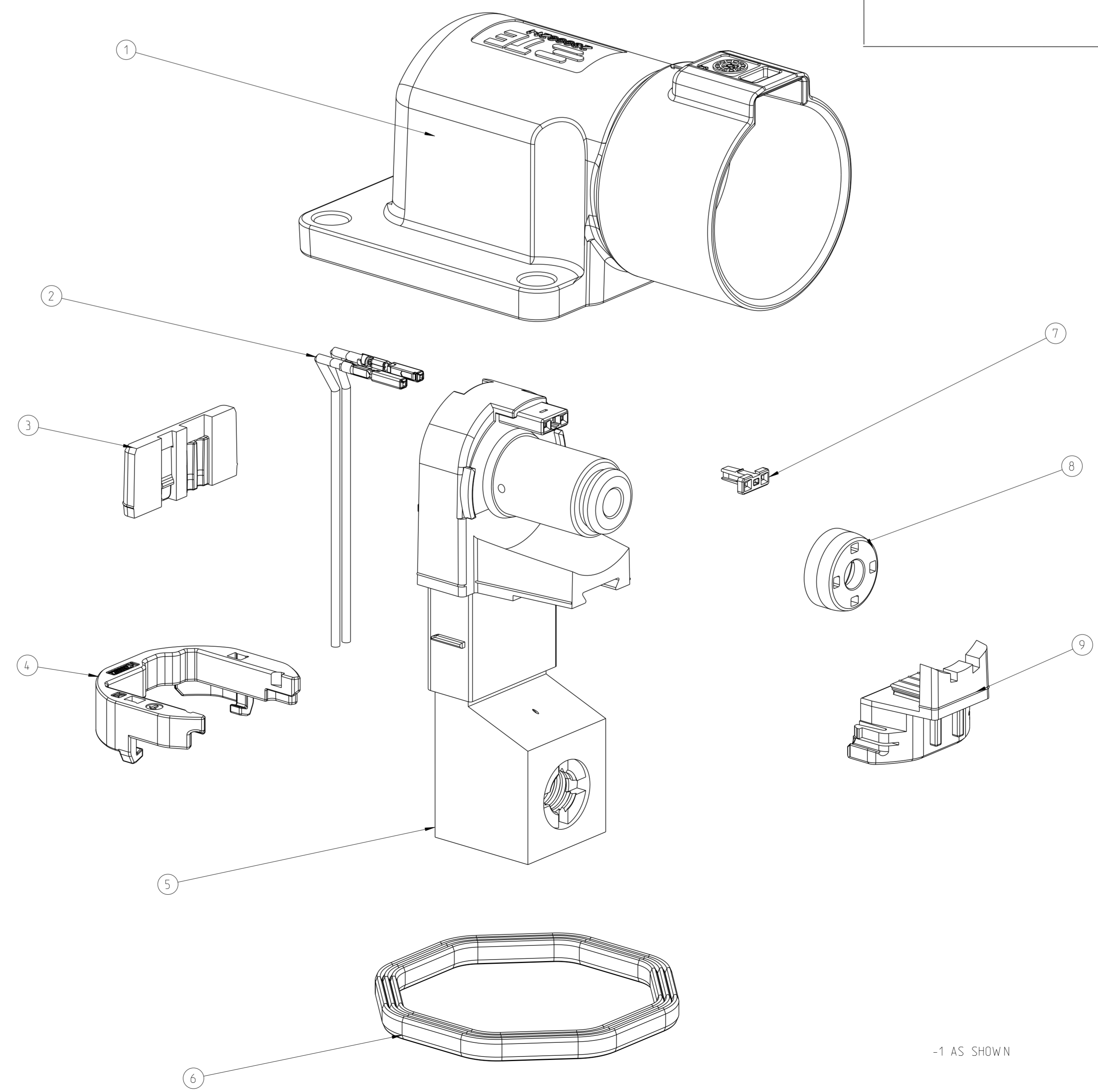


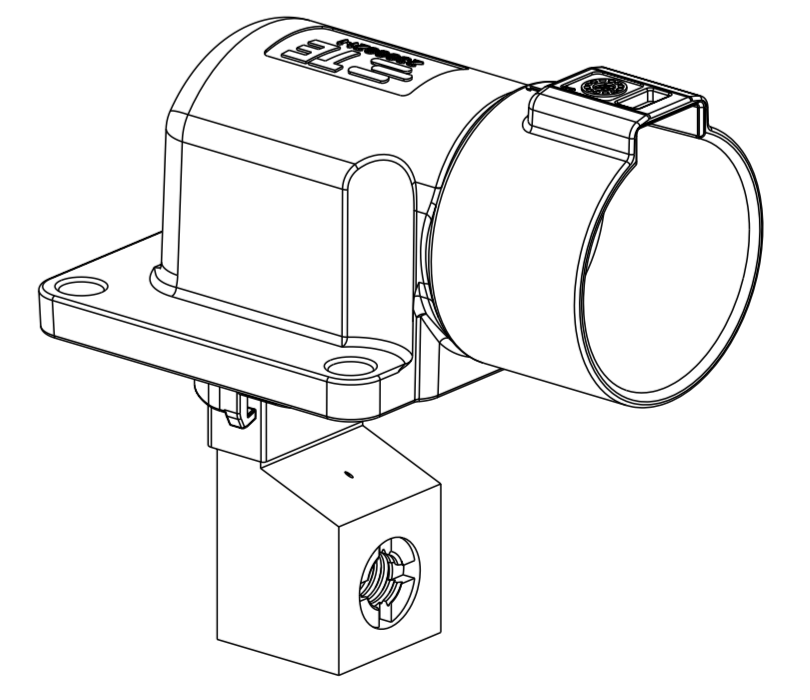
REVISIONS			
REV	DATE	DESCRIPTION	BY
A	29DEC2021	INITIAL RELEASE	S.T
A1	03FEB2022	ECR-22-13644Z	S.T



TE-ASSY-NO	CODE	DESCRIPTION	DESCRIPTION	CODE	MATERIAL	SURFACE COLOR	WEIGHT (g)	QTY	ITEM
1-2399609-3	M	1POS.PIN DIA 14.0 HDR ASSY.90DEG	CODE HOUSING FOLLOW 2399609-1	M	PA66-GF	AQUA RED	(315)	1	9
1-2399609-2	L	1POS.PIN DIA 14.0 HDR ASSY.90DEG	CODE HOUSING FOLLOW 2399609-1	L	PA66-GF	AQUA BROWN	(315)	1	9
1-2399609-1	K	1POS.PIN DIA 14.0 HDR ASSY.90DEG	CODE HOUSING FOLLOW 2399609-1	K	PA66-GF	AQUA GREEN	(315)	1	9
2399609-9	J	1POS.PIN DIA 14.0 HDR ASSY.90DEG	CODE HOUSING FOLLOW 2399609-1	J	PA66-GF	ORANGE	(315)	1	9
2399609-8	H	1POS.PIN DIA 14.0 HDR ASSY.90DEG	CODE HOUSING FOLLOW 2399609-1	H	PA66-GF	YELLOW	(315)	1	9
2399609-7	G	1POS.PIN DIA 14.0 HDR ASSY.90DEG	CODE HOUSING FOLLOW 2399609-1	G	PA66-GF	RED	(315)	1	9
2399609-6	F	1POS.PIN DIA 14.0 HDR ASSY.90DEG	CODE HOUSING FOLLOW 2399609-1	F	PA66-GF	BROWN	(315)	1	9
2399609-5	E	1POS.PIN DIA 14.0 HDR ASSY.90DEG	CODE HOUSING FOLLOW 2399609-1	E	PA66-GF	GREEN	(315)	1	9
2399609-4	D	1POS.PIN DIA 14.0 HDR ASSY.90DEG	CODE HOUSING FOLLOW 2399609-1	D	PA66-GF	PURPLE	(315)	1	9
2399609-3	C	1POS.PIN DIA 14.0 HDR ASSY.90DEG	CODE HOUSING FOLLOW 2399609-1	C	PA66-GF	BLUE	(315)	1	9
2399609-2	B	1POS.PIN DIA 14.0 HDR ASSY.90DEG	CODE HOUSING FOLLOW 2399609-1	B	PA66-GF	NATURE	(315)	1	9
2399609-1	A	1POS.PIN DIA 14.0 HDR ASSY.90DEG	CODE HOUSING	A	PA66-GF	BLACK	(315)	1	9
			HEADER TPA	-	PA66-GF	RED		1	8
			FINGER PROTECTION CAP	-	PA66-GF	BLACK		1	7
			FACE SEAL	-	SILICONE	RED		1	6
			BUSBAR OVERMOLD,FRONT SIDE	-	-	-		1	5
			OUTER HOUSING	-	PA66-GF	BLACK		1	4
			INNER HOUSING	-	PA66-GF	BLACK		1	3
			HV INTERLOCK CABLE	-	-	-		2	2
			HEADER HOUSING 90DEG,1POS	-	AL-ALLOY	NICKEL PLATED		1	1



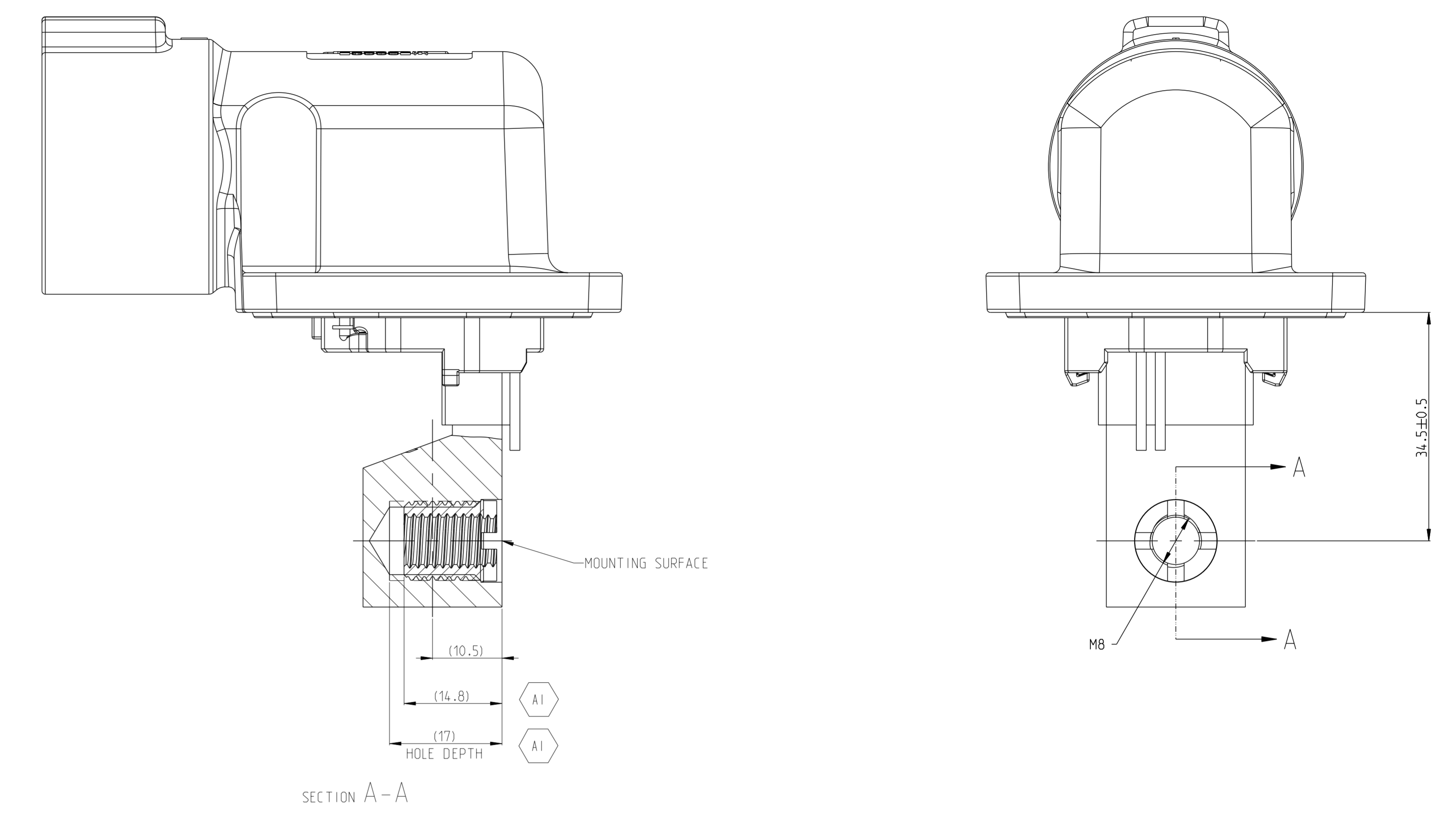
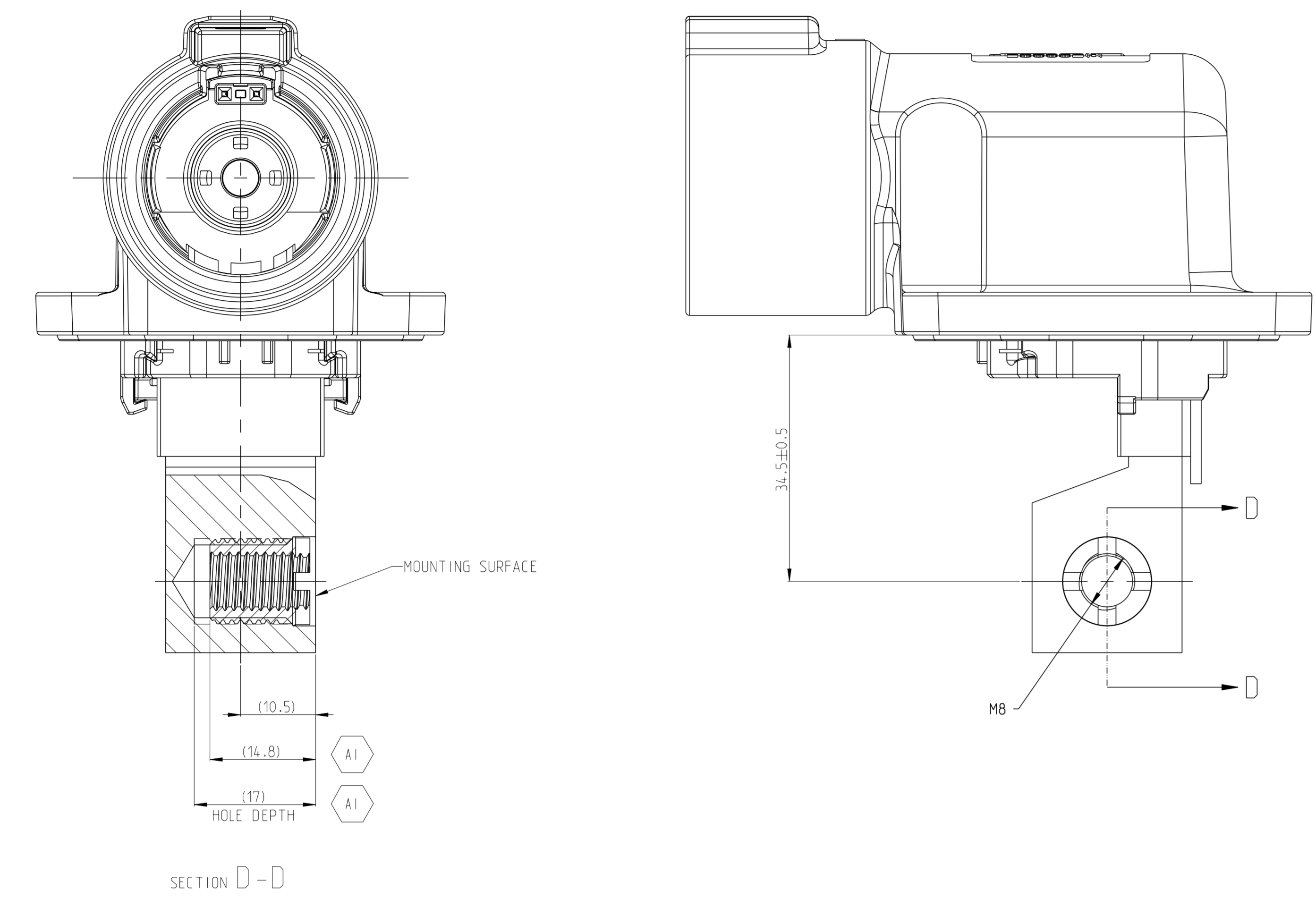
- 1. MATING CONNECTOR REFER TO DRAWING 2400957
- ▲ CODING VARIANT
- ▲ FREE SPACE FOR HEADER
- ▲ SEALING AREA: NO BURR, TOOL PARTING, SHRINKAGE. CAVITIES AND GATE MARKS PERMITTED. SURFACE ROUGHNESS: Ra=1.6
- ▲ DRAFT ANGLE UP TO 0.5° PERMITTED
- ▲ MOUNTING SCREW M5, SCREW TYPE UP TO MANUFACTURER, DRILL HOLE DESIGN ACCORDING TO SCREW TYPE
- ▲ MATERIAL: CORROSION RESISTANT, ELECTROCONDUCTIVE
- ▲ SCREW M8 FOR BUSBAR CONNECTION
- ▲ ALL THREAD HOLES ARE BLIND HOLES
- ▲ INTERFACE PANEL CODE SEE SHEET 5



-1 AS SHOWN

THIS DRAWING IS A CONTROLLED DOCUMENT.		REV	DATE	BY	APP
		1	29DEC2021	S.T	
		2	29DEC2021	S.T	
		3	29DEC2021	S.T	
		4	29DEC2021	S.T	
		5	29DEC2021	S.T	
		6	29DEC2021	S.T	
		7	29DEC2021	S.T	
		8	29DEC2021	S.T	
		9	29DEC2021	S.T	
		10	29DEC2021	S.T	
		11	29DEC2021	S.T	
		12	29DEC2021	S.T	
		13	29DEC2021	S.T	
		14	29DEC2021	S.T	
		15	29DEC2021	S.T	
		16	29DEC2021	S.T	
		17	29DEC2021	S.T	
		18	29DEC2021	S.T	
		19	29DEC2021	S.T	
		20	29DEC2021	S.T	
		21	29DEC2021	S.T	
		22	29DEC2021	S.T	
		23	29DEC2021	S.T	
		24	29DEC2021	S.T	
		25	29DEC2021	S.T	
		26	29DEC2021	S.T	
		27	29DEC2021	S.T	
		28	29DEC2021	S.T	
		29	29DEC2021	S.T	
		30	29DEC2021	S.T	
		31	29DEC2021	S.T	
		32	29DEC2021	S.T	
		33	29DEC2021	S.T	
		34	29DEC2021	S.T	
		35	29DEC2021	S.T	
		36	29DEC2021	S.T	
		37	29DEC2021	S.T	
		38	29DEC2021	S.T	
		39	29DEC2021	S.T	
		40	29DEC2021	S.T	
		41	29DEC2021	S.T	
		42	29DEC2021	S.T	
		43	29DEC2021	S.T	
		44	29DEC2021	S.T	
		45	29DEC2021	S.T	
		46	29DEC2021	S.T	
		47	29DEC2021	S.T	
		48	29DEC2021	S.T	
		49	29DEC2021	S.T	
		50	29DEC2021	S.T	
		51	29DEC2021	S.T	
		52	29DEC2021	S.T	
		53	29DEC2021	S.T	
		54	29DEC2021	S.T	
		55	29DEC2021	S.T	
		56	29DEC2021	S.T	
		57	29DEC2021	S.T	
		58	29DEC2021	S.T	
		59	29DEC2021	S.T	
		60	29DEC2021	S.T	
		61	29DEC2021	S.T	
		62	29DEC2021	S.T	
		63	29DEC2021	S.T	
		64	29DEC2021	S.T	
		65	29DEC2021	S.T	
		66	29DEC2021	S.T	
		67	29DEC2021	S.T	
		68	29DEC2021	S.T	
		69	29DEC2021	S.T	
		70	29DEC2021	S.T	
		71	29DEC2021	S.T	
		72	29DEC2021	S.T	
		73	29DEC2021	S.T	
		74	29DEC2021	S.T	
		75	29DEC2021	S.T	
		76	29DEC2021	S.T	
		77	29DEC2021	S.T	
		78	29DEC2021	S.T	
		79	29DEC2021	S.T	
		80	29DEC2021	S.T	
		81	29DEC2021	S.T	
		82	29DEC2021	S.T	
		83	29DEC2021	S.T	
		84	29DEC2021	S.T	
		85	29DEC2021	S.T	
		86	29DEC2021	S.T	
		87	29DEC2021	S.T	
		88	29DEC2021	S.T	
		89	29DEC2021	S.T	
		90	29DEC2021	S.T	
		91	29DEC2021	S.T	
		92	29DEC2021	S.T	
		93	29DEC2021	S.T	
		94	29DEC2021	S.T	
		95	29DEC2021	S.T	
		96	29DEC2021	S.T	
		97	29DEC2021	S.T	
		98	29DEC2021	S.T	
		99	29DEC2021	S.T	
		100	29DEC2021	S.T	

REVISIONS			
REV	DATE	BY	APPD
-	SEE SHEET 1	-	-



1. MISSING DIMENSIONS ACC. TO 2399609-1

1. MISSING DIMENSIONS ACC. TO 2399609-1

TE-ASSY-NO	CODE	DESCRIPTION	DESCRIPTION	CODE	MATERIAL	SURFACE COLOR	WEIGHT (g)	QTY	ITEM
3-2399609-3	M	1POS.PIN DIA 14.0 HDR ASSY.90DEG	CODE HOUSING FOLLOW 2-2399609-1	M	PA66-GF	AQUA RED	(315)	1	9
3-2399609-2	L	1POS.PIN DIA 14.0 HDR ASSY.90DEG	CODE HOUSING FOLLOW 2-2399609-1	L	PA66-GF	AQUA BROWN	(315)	1	9
3-2399609-1	K	1POS.PIN DIA 14.0 HDR ASSY.90DEG	CODE HOUSING FOLLOW 2-2399609-1	K	PA66-GF	AQUA GREEN	(315)	1	9
2-2399609-9	J	1POS.PIN DIA 14.0 HDR ASSY.90DEG	CODE HOUSING FOLLOW 2-2399609-1	J	PA66-GF	ORANGE	(315)	1	9
2-2399609-8	H	1POS.PIN DIA 14.0 HDR ASSY.90DEG	CODE HOUSING FOLLOW 2-2399609-1	H	PA66-GF	YELLOW	(315)	1	9
2-2399609-7	G	1POS.PIN DIA 14.0 HDR ASSY.90DEG	CODE HOUSING FOLLOW 2-2399609-1	G	PA66-GF	RED	(315)	1	9
2-2399609-6	F	1POS.PIN DIA 14.0 HDR ASSY.90DEG	CODE HOUSING FOLLOW 2-2399609-1	F	PA66-GF	BROWN	(315)	1	9
2-2399609-5	E	1POS.PIN DIA 14.0 HDR ASSY.90DEG	CODE HOUSING FOLLOW 2-2399609-1	E	PA66-GF	GREEN	(315)	1	9
2-2399609-4	D	1POS.PIN DIA 14.0 HDR ASSY.90DEG	CODE HOUSING FOLLOW 2-2399609-1	D	PA66-GF	PURPLE	(315)	1	9
2-2399609-3	C	1POS.PIN DIA 14.0 HDR ASSY.90DEG	CODE HOUSING FOLLOW 2-2399609-1	C	PA66-GF	BLUE	(315)	1	9
2-2399609-2	B	1POS.PIN DIA 14.0 HDR ASSY.90DEG	CODE HOUSING FOLLOW 2-2399609-1	B	PA66-GF	NATURE	(315)	1	9
2-2399609-1	A	1POS.PIN DIA 14.0 HDR ASSY.90DEG	CODE HOUSING	A	PA66-GF	BLACK	(315)	1	9
			HEADER TPA	-	PA66-GF	RED		1	8
			FINGER PROTECTION CAP	-	PA66-GF	BLACK		1	7
			FACE SEAL	-	SILICONE	RED		1	6
			BUSBAR OVERMOLD,RIGHT SIDE	-	-	-		1	5
			OUTER HOUSING	-	PA66-GF	BLACK		1	4
			INNER HOUSING	-	PA66-GF	BLACK		1	3
			HV INTERLOCK CABLE	-	-	-		2	2
			HEADER HOUSING 90DEG.1POS	-	AL-ALLOY	NICKEL PLATED		1	1

TE-ASSY-NO	CODE	DESCRIPTION	DESCRIPTION	CODE	MATERIAL	SURFACE COLOR	WEIGHT (g)	QTY	ITEM
5-2399609-3	M	1POS.PIN DIA 14.0 HDR ASSY.90DEG	CODE HOUSING FOLLOW 4-2399609-1	M	PA66-GF	AQUA RED	(315)	1	9
5-2399609-2	L	1POS.PIN DIA 14.0 HDR ASSY.90DEG	CODE HOUSING FOLLOW 4-2399609-1	L	PA66-GF	AQUA BROWN	(315)	1	9
5-2399609-1	K	1POS.PIN DIA 14.0 HDR ASSY.90DEG	CODE HOUSING FOLLOW 4-2399609-1	K	PA66-GF	AQUA GREEN	(315)	1	9
4-2399609-9	J	1POS.PIN DIA 14.0 HDR ASSY.90DEG	CODE HOUSING FOLLOW 4-2399609-1	J	PA66-GF	ORANGE	(315)	1	9
4-2399609-8	H	1POS.PIN DIA 14.0 HDR ASSY.90DEG	CODE HOUSING FOLLOW 4-2399609-1	H	PA66-GF	YELLOW	(315)	1	9
4-2399609-7	G	1POS.PIN DIA 14.0 HDR ASSY.90DEG	CODE HOUSING FOLLOW 4-2399609-1	G	PA66-GF	RED	(315)	1	9
4-2399609-6	F	1POS.PIN DIA 14.0 HDR ASSY.90DEG	CODE HOUSING FOLLOW 4-2399609-1	F	PA66-GF	BROWN	(315)	1	9
4-2399609-5	E	1POS.PIN DIA 14.0 HDR ASSY.90DEG	CODE HOUSING FOLLOW 4-2399609-1	E	PA66-GF	GREEN	(315)	1	9
4-2399609-4	D	1POS.PIN DIA 14.0 HDR ASSY.90DEG	CODE HOUSING FOLLOW 4-2399609-1	D	PA66-GF	PURPLE	(315)	1	9
4-2399609-3	C	1POS.PIN DIA 14.0 HDR ASSY.90DEG	CODE HOUSING FOLLOW 4-2399609-1	C	PA66-GF	BLUE	(315)	1	9
4-2399609-2	B	1POS.PIN DIA 14.0 HDR ASSY.90DEG	CODE HOUSING FOLLOW 4-2399609-1	B	PA66-GF	NATURE	(315)	1	9
4-2399609-1	A	1POS.PIN DIA 14.0 HDR ASSY.90DEG	CODE HOUSING	A	PA66-GF	BLACK	(315)	1	9
			HEADER TPA	-	PA66-GF	RED		1	8
			FINGER PROTECTION CAP	-	PA66-GF	BLACK		1	7
			FACE SEAL	-	SILICONE	RED		1	6
			BUSBAR OVERMOLD,BACK SIDE	-	-	-		1	5
			OUTER HOUSING	-	PA66-GF	BLACK		1	4
			INNER HOUSING	-	PA66-GF	BLACK		1	3
			HV INTERLOCK CABLE	-	-	-		2	2
			HEADER HOUSING 90DEG.1POS	-	AL-ALLOY	NICKEL PLATED		1	1

THIS DRAWING IS A CONTROLLED DOCUMENT.

DATE: 29DEC2021  
 DRAWN BY: S.TAN  
 CHECKED BY: L.L.  
 APPROVED BY: J.VIN

TE Connectivity

NAME: 1POS.PIN DIA 14.0.HDR ASSY.90DEG  
 HVP-HD14.00

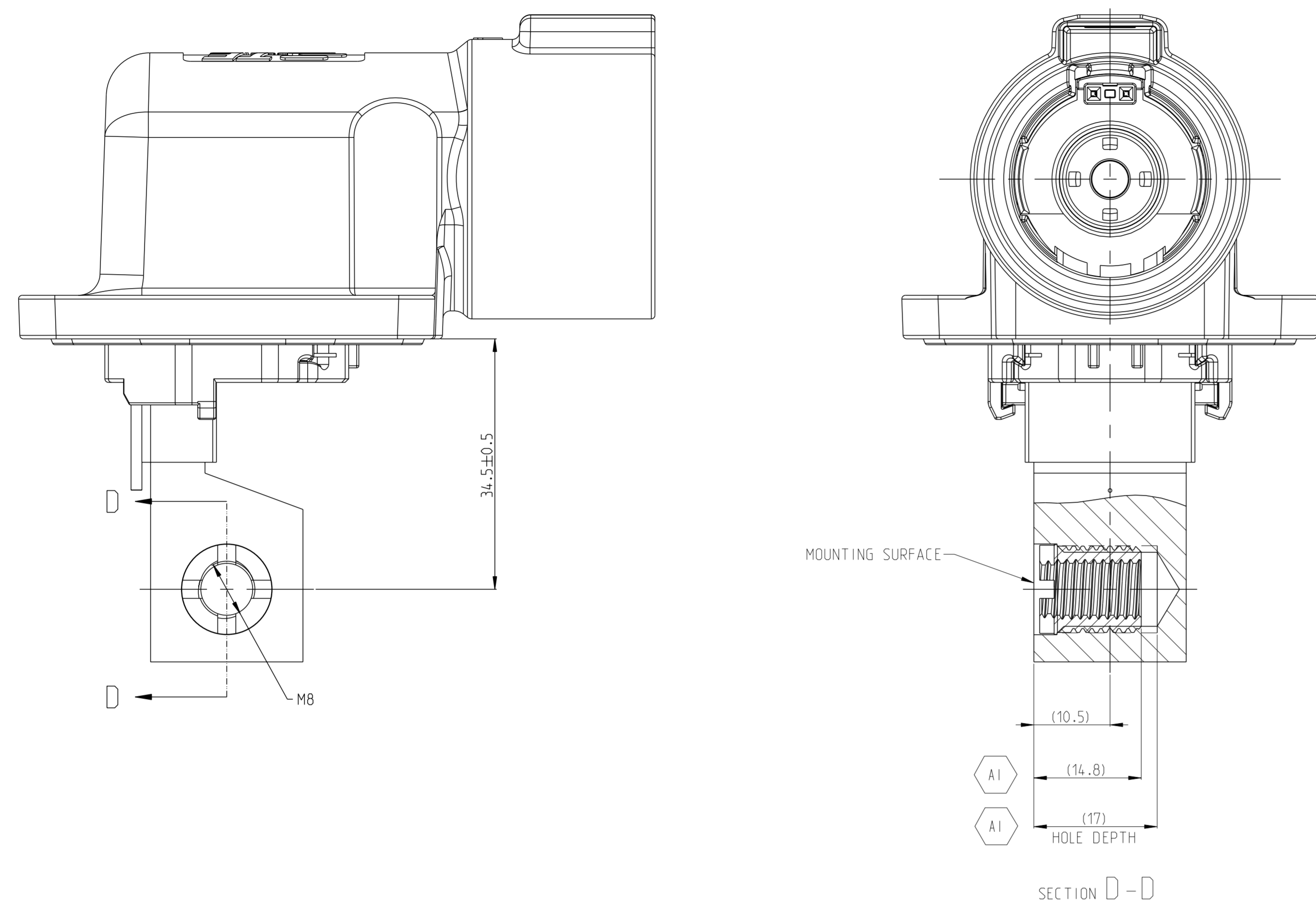
JOB: 160407  
 APPLICATION SPEC: 114-160222

SCALE: 2:1  
 SHEET: 2 OF 5

RESTRICTED TO: -

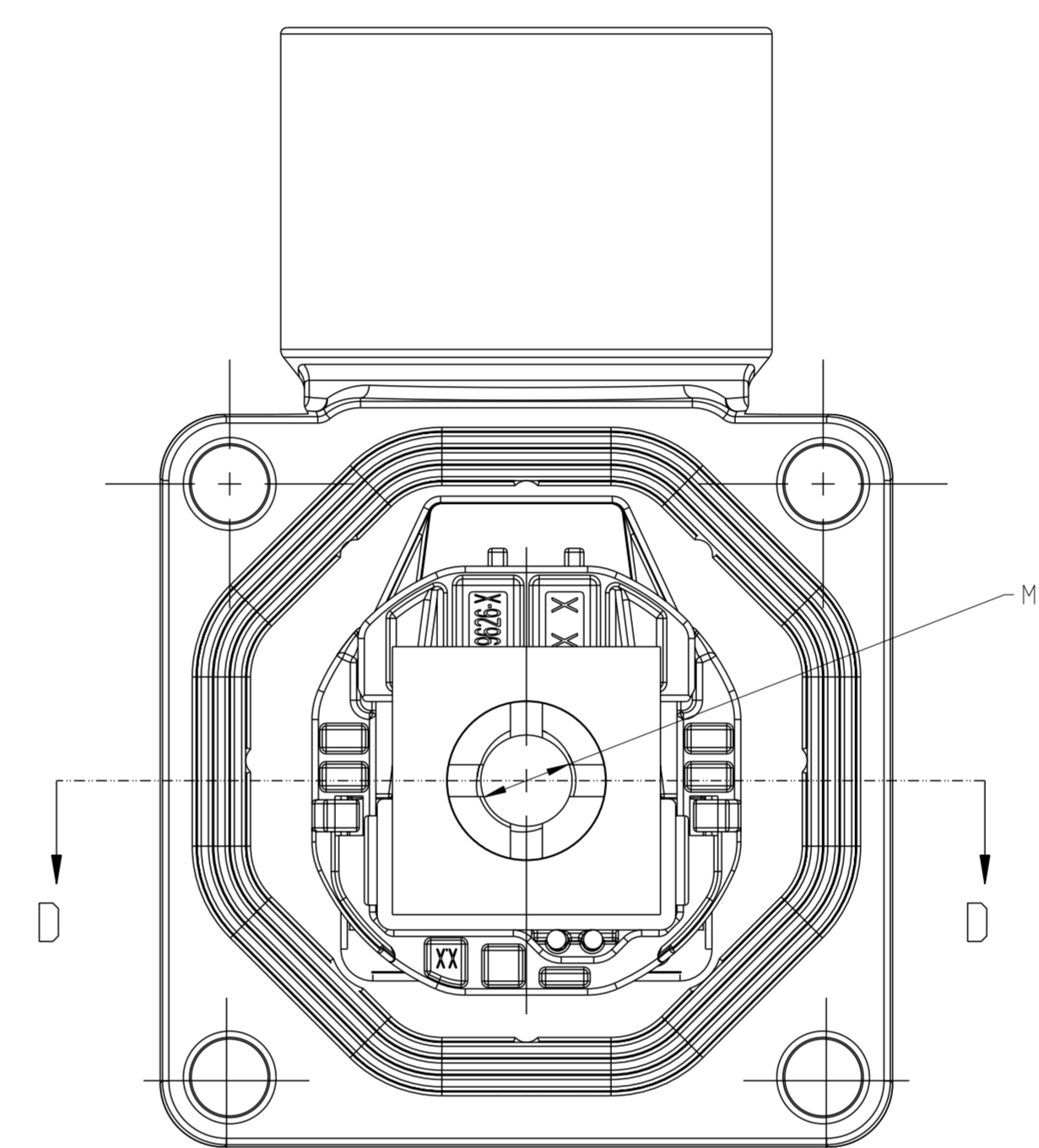
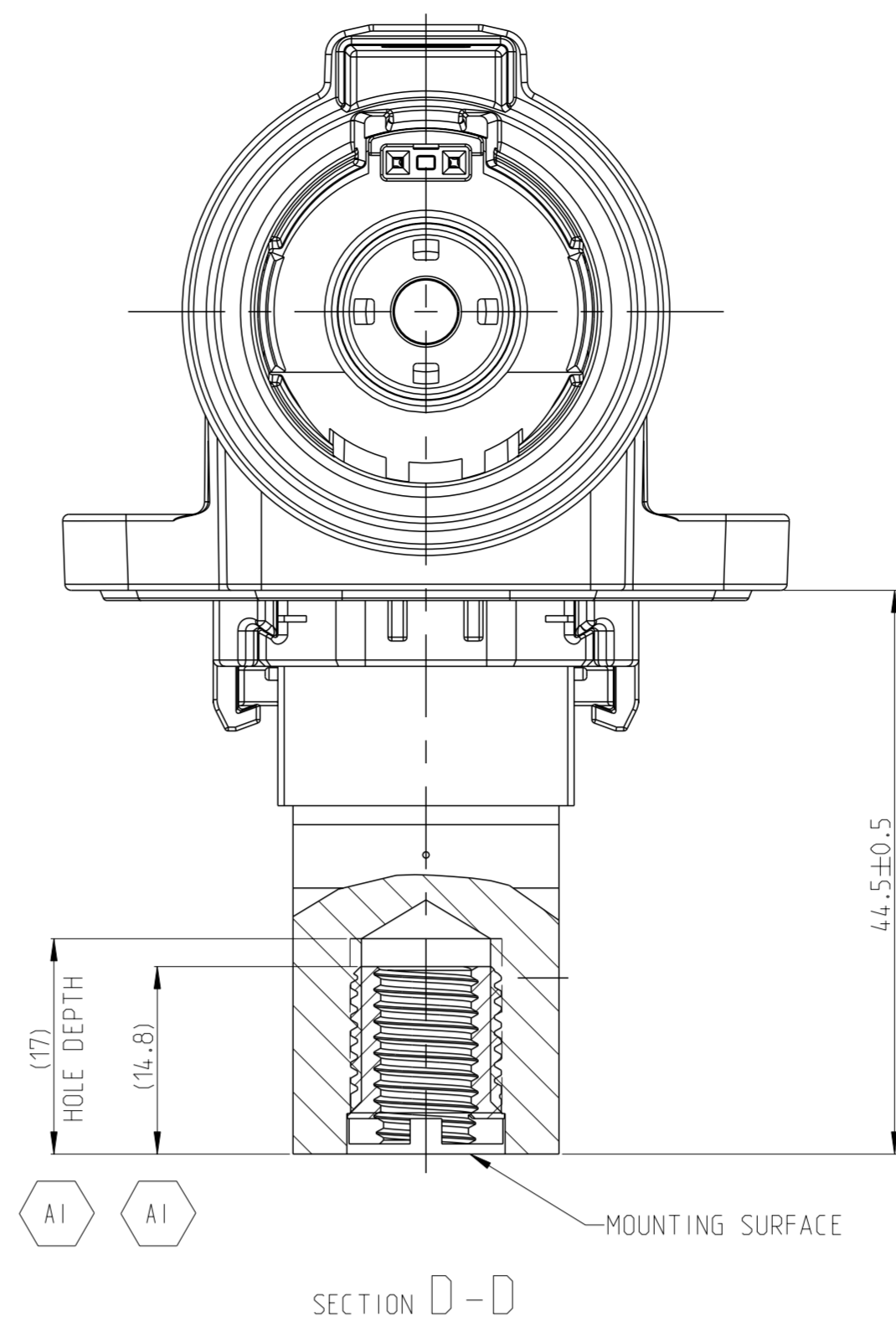
SEE TABLE

REVISIONS			
REV	DATE	BY	APPD
-	SEE SHEET 1	-	-



1. MISSING DIMENSIONS ACC. TO 2399609-1

TE-ASSY-NO	CODE	DESCRIPTION	DESCRIPTION	CODE	MATERIAL	SURFACE COLOR	WEIGHT (g)	QTY	ITEM
7-2399609-3	M	1POS.PIN DIA 14.0 HDR ASSY.90DEG	CODE HOUSING FOLLOW 6-2399609-1	M	PA66-GF	AQUA RED	(315)	1	9
7-2399609-2	L	1POS.PIN DIA 14.0 HDR ASSY.90DEG	CODE HOUSING FOLLOW 6-2399609-1	L	PA66-GF	AQUA BROWN	(315)	1	9
7-2399609-1	K	1POS.PIN DIA 14.0 HDR ASSY.90DEG	CODE HOUSING FOLLOW 6-2399609-1	K	PA66-GF	AQUA GREEN	(315)	1	9
6-2399609-9	J	1POS.PIN DIA 14.0 HDR ASSY.90DEG	CODE HOUSING FOLLOW 6-2399609-1	J	PA66-GF	ORANGE	(315)	1	9
6-2399609-8	H	1POS.PIN DIA 14.0 HDR ASSY.90DEG	CODE HOUSING FOLLOW 6-2399609-1	H	PA66-GF	YELLOW	(315)	1	9
6-2399609-7	G	1POS.PIN DIA 14.0 HDR ASSY.90DEG	CODE HOUSING FOLLOW 6-2399609-1	G	PA66-GF	RED	(315)	1	9
6-2399609-6	F	1POS.PIN DIA 14.0 HDR ASSY.90DEG	CODE HOUSING FOLLOW 6-2399609-1	F	PA66-GF	BROWN	(315)	1	9
6-2399609-5	E	1POS.PIN DIA 14.0 HDR ASSY.90DEG	CODE HOUSING FOLLOW 6-2399609-1	E	PA66-GF	GREEN	(315)	1	9
6-2399609-4	D	1POS.PIN DIA 14.0 HDR ASSY.90DEG	CODE HOUSING FOLLOW 6-2399609-1	D	PA66-GF	PURPLE	(315)	1	9
6-2399609-3	C	1POS.PIN DIA 14.0 HDR ASSY.90DEG	CODE HOUSING FOLLOW 6-2399609-1	C	PA66-GF	BLUE	(315)	1	9
6-2399609-2	B	1POS.PIN DIA 14.0 HDR ASSY.90DEG	CODE HOUSING FOLLOW 6-2399609-1	B	PA66-GF	NATURE	(315)	1	9
6-2399609-1	A	1POS.PIN DIA 14.0 HDR ASSY.90DEG	CODE HOUSING	A	PA66-GF	BLACK	(315)	1	9
			HEADER TPA	-	PA66-GF	RED		1	8
			FINGER PROTECTION CAP	-	PA66-GF	BLACK		1	7
			FACE SEAL	-	SILICONE	RED		1	6
			BUSBAR OVERMOLD,LEFT SIDE	-	-	-		1	5
			OUTER HOUSING	-	PA66-GF	BLACK		1	4
			INNER HOUSING	-	PA66-GF	BLACK		1	3
			HV INTERLOCK CABLE	-	-	-		2	2
HEADER HOUSING 90DEG,1POS	-	AL-ALLOY	NICKEL PLATED	1	1				



1. MISSING DIMENSIONS ACC. TO 2399609-1

9-2399609-3	M	1POS.PIN DIA 14.0 HDR ASSY.90DEG	CODE HOUSING FOLLOW 8-2399609-1	M	PA66-GF	AQUA RED	(315)	1	9
9-2399609-2	L	1POS.PIN DIA 14.0 HDR ASSY.90DEG	CODE HOUSING FOLLOW 8-2399609-1	L	PA66-GF	AQUA BROWN	(315)	1	9
9-2399609-1	K	1POS.PIN DIA 14.0 HDR ASSY.90DEG	CODE HOUSING FOLLOW 8-2399609-1	K	PA66-GF	AQUA GREEN	(315)	1	9
8-2399609-9	J	1POS.PIN DIA 14.0 HDR ASSY.90DEG	CODE HOUSING FOLLOW 8-2399609-1	J	PA66-GF	ORANGE	(315)	1	9
8-2399609-8	H	1POS.PIN DIA 14.0 HDR ASSY.90DEG	CODE HOUSING FOLLOW 8-2399609-1	H	PA66-GF	YELLOW	(315)	1	9
8-2399609-7	G	1POS.PIN DIA 14.0 HDR ASSY.90DEG	CODE HOUSING FOLLOW 8-2399609-1	G	PA66-GF	RED	(315)	1	9
8-2399609-6	F	1POS.PIN DIA 14.0 HDR ASSY.90DEG-SEAL	CODE HOUSING FOLLOW 8-2399609-1	F	PA66-GF	BROWN	(315)	1	9
8-2399609-5	E	1POS.PIN DIA 14.0 HDR ASSY.90DEG	CODE HOUSING FOLLOW 8-2399609-1	E	PA66-GF	GREEN	(315)	1	9
8-2399609-4	D	1POS.PIN DIA 14.0 HDR ASSY.90DEG	CODE HOUSING FOLLOW 8-2399609-1	D	PA66-GF	PURPLE	(315)	1	9
8-2399609-3	C	1POS.PIN DIA 14.0 HDR ASSY.90DEG	CODE HOUSING FOLLOW 8-2399609-1	C	PA66-GF	BLUE	(315)	1	9
8-2399609-2	B	1POS.PIN DIA 14.0 HDR ASSY.90DEG	CODE HOUSING FOLLOW 8-2399609-1	B	PA66-GF	NATURE	(315)	1	9
8-2399609-1	A	1POS.PIN DIA 14.0 HDR ASSY.90DEG	CODE HOUSING	A	PA66-GF	BLACK	(315)	1	9
			HEADER TPA	-	PA66-GF	RED		1	8
			FINGER PROTECTION CAP	-	PA66-GF	BLACK		1	7
			FACE SEAL	-	SILICONE	RED		1	6
			BUSBAR OVERMOLD,TOP SIDE	-	-	-		1	5
			OUTER HOUSING	-	PA66-GF	BLACK		1	4
			INNER HOUSING	-	PA66-GF	BLACK		1	3
			HV INTERLOCK CABLE	-	-	-		2	2
HEADER HOUSING 90DEG,1POS	-	AL-ALLOY	NICKEL PLATED	1	1				

THIS DRAWING IS A CONTROLLED DOCUMENT.

DATE: 29DEC2021  
 CHK: J.L.L.  
 DATE: 29DEC2021  
 DATE: 29DEC2021

TE Connectivity

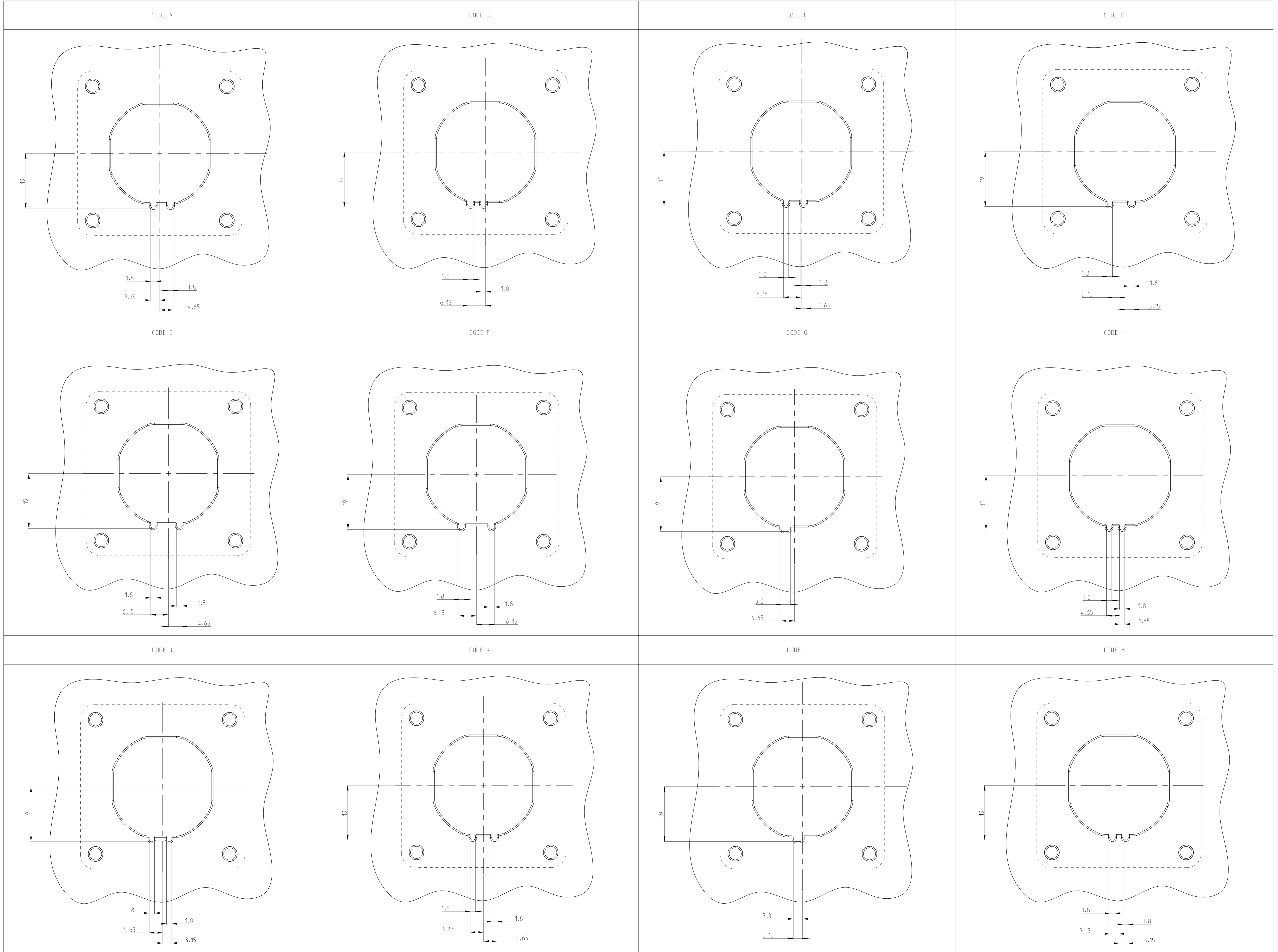
1POS.PIN DIA 14.0.HDR ASSY.90DEG  
 HVP-HD14.00

JOB-160407  
 APPLICATION SPEC: 114-160222

SCALE: 2:1  
 SHEET: 3 OF 5  
 REV: A1



REVISIONS			
REV	DATE	BY	APPV
-	SEE SHEET 1	-	-



printed on 20 Apr 2022 09:3 (C:\hp\Shared\Time from 1532079)

THIS DRAWING IS A CONTROLLED DOCUMENT.

DATE: 29DEC2021	BY: S.TAN	CHK: L.L.	APPV: J.VIN
PRODUCT SPEC: 108-160407	APPLICATION SPEC: 114-160222	WEIGHT: SEE TABLE	FINISH_SPEC: 2

**STE** TE Connectivity

1POS.PIN D1A 14.0.HDR ASSY.90DEG  
HVP-HD14.00

SCALE: 2:1 SHEET 5 OF 5

## X-ON Electronics

Largest Supplier of Electrical and Electronic Components

*Click to view similar products for [Headers & Wire Housings](#) category:*

*Click to view products by [TE Connectivity](#) manufacturer:*

Other Similar products are found below :

[892-18-020-10-001101](#) [0010894062](#) [0010977306](#) [0015477636](#) [0015917161](#) [0022104068](#) [0022121042](#) [0022155065](#) [0022281023](#) [57102-F02-18ULF](#) [58102-G61-06LF](#) [582553-1](#) [0015911208](#) [01.001.5753.1](#) [0022285048](#) [0050291907](#) [02.125.8002.8](#) [CSU011177004](#) [622-0430](#) [622-3653LF](#) [63453-116](#) [636-1030](#) [636-1427](#) [636-3427](#) [636-4007](#) [641938-9](#) [65495-038](#) [65692-001LF](#) [65781-018](#) [65781-047](#) [65817-010LF](#) [65817-015LF](#) [67095-007LF](#) [67601157](#) [68631-112](#) [68645-018](#) [699319-000](#) [70.362.1628.0](#) [70-4210](#) [70-4226B](#) [70-4853B](#) [707-5028](#) [71.350.2428.0](#) [733-134](#) [733-162](#) [760-3052](#) [MHR-64-VUAL](#) [80.063.4001.1](#) [800-90-001-10-001000](#) [801-43-002-10-013000](#)