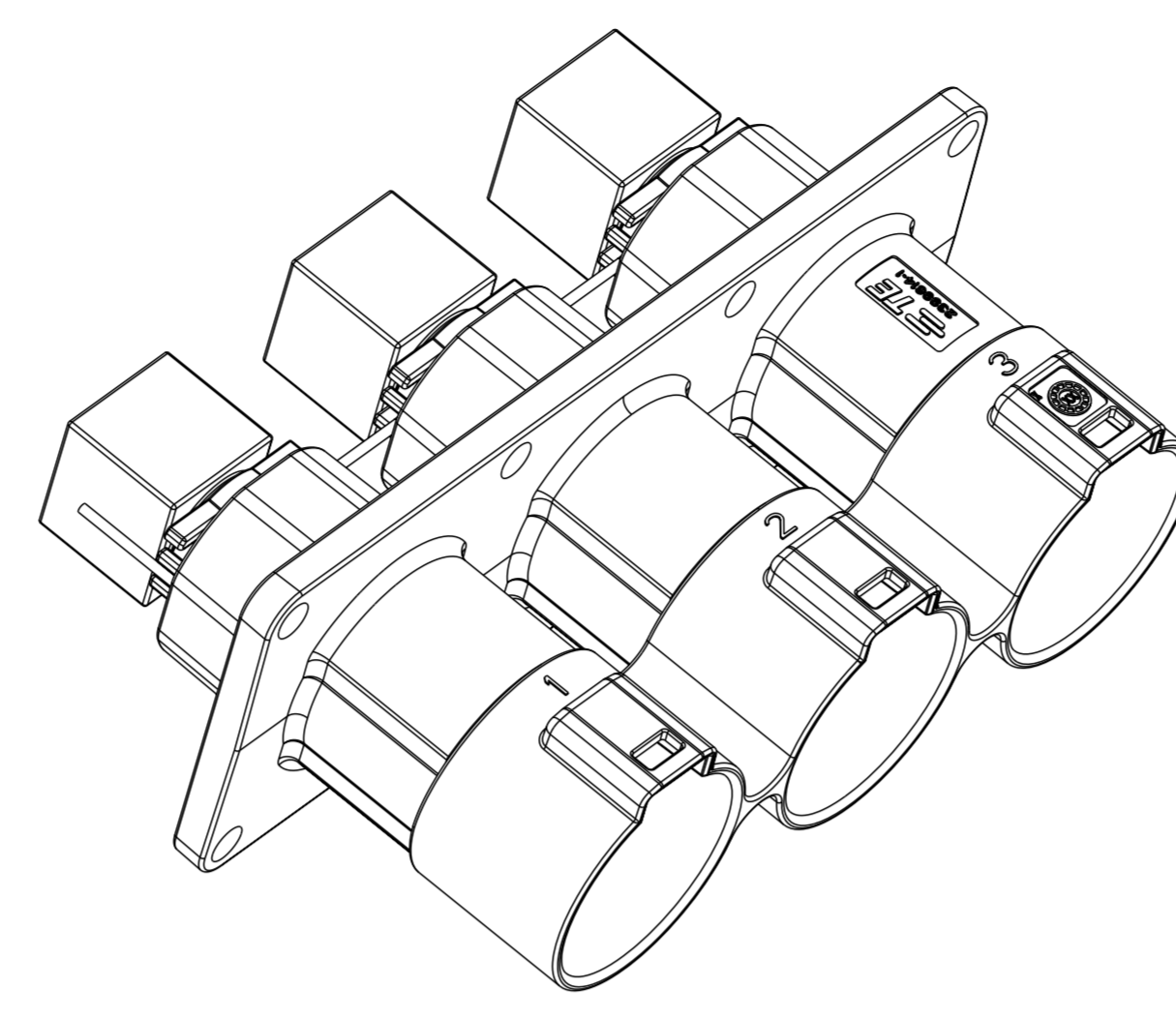
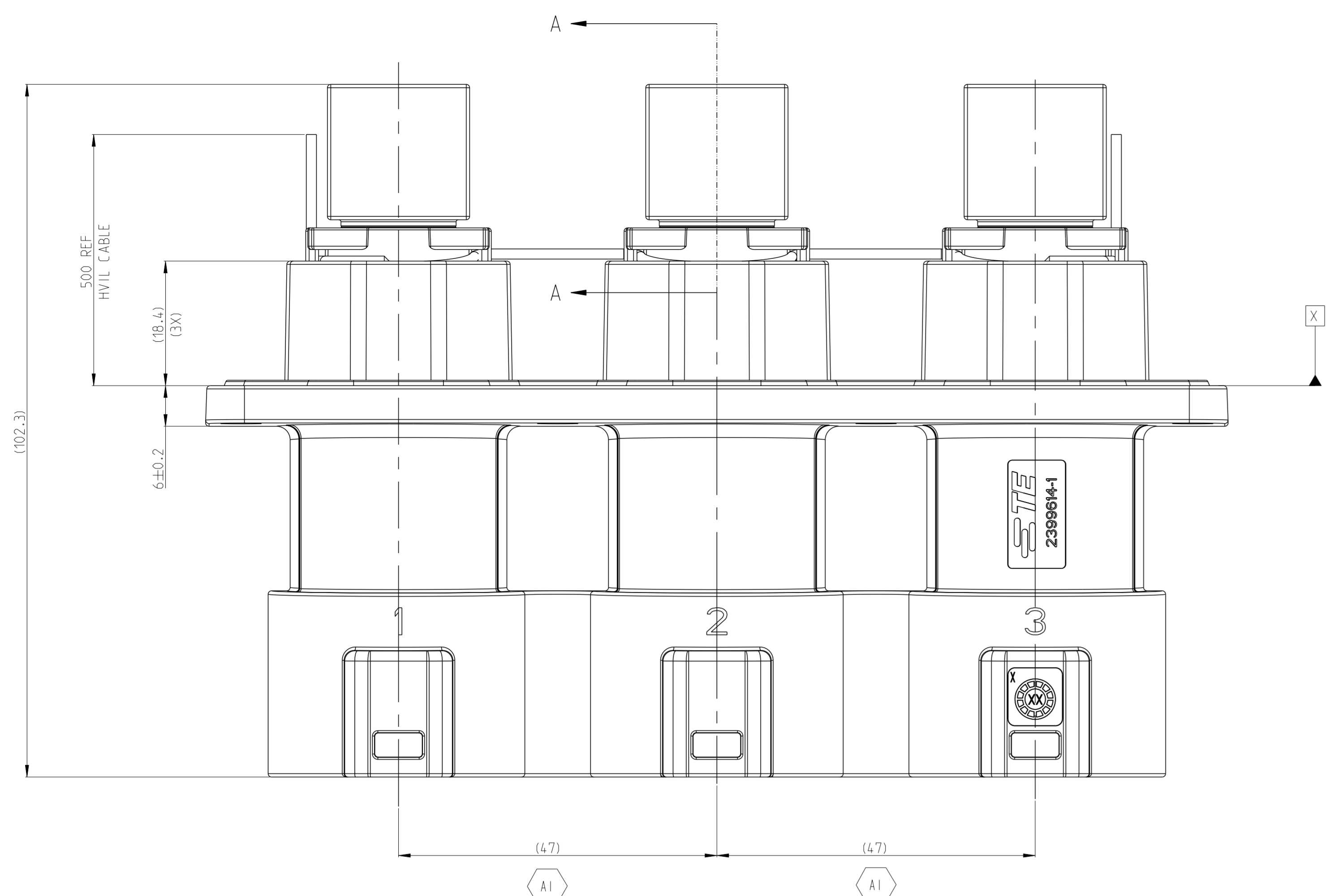
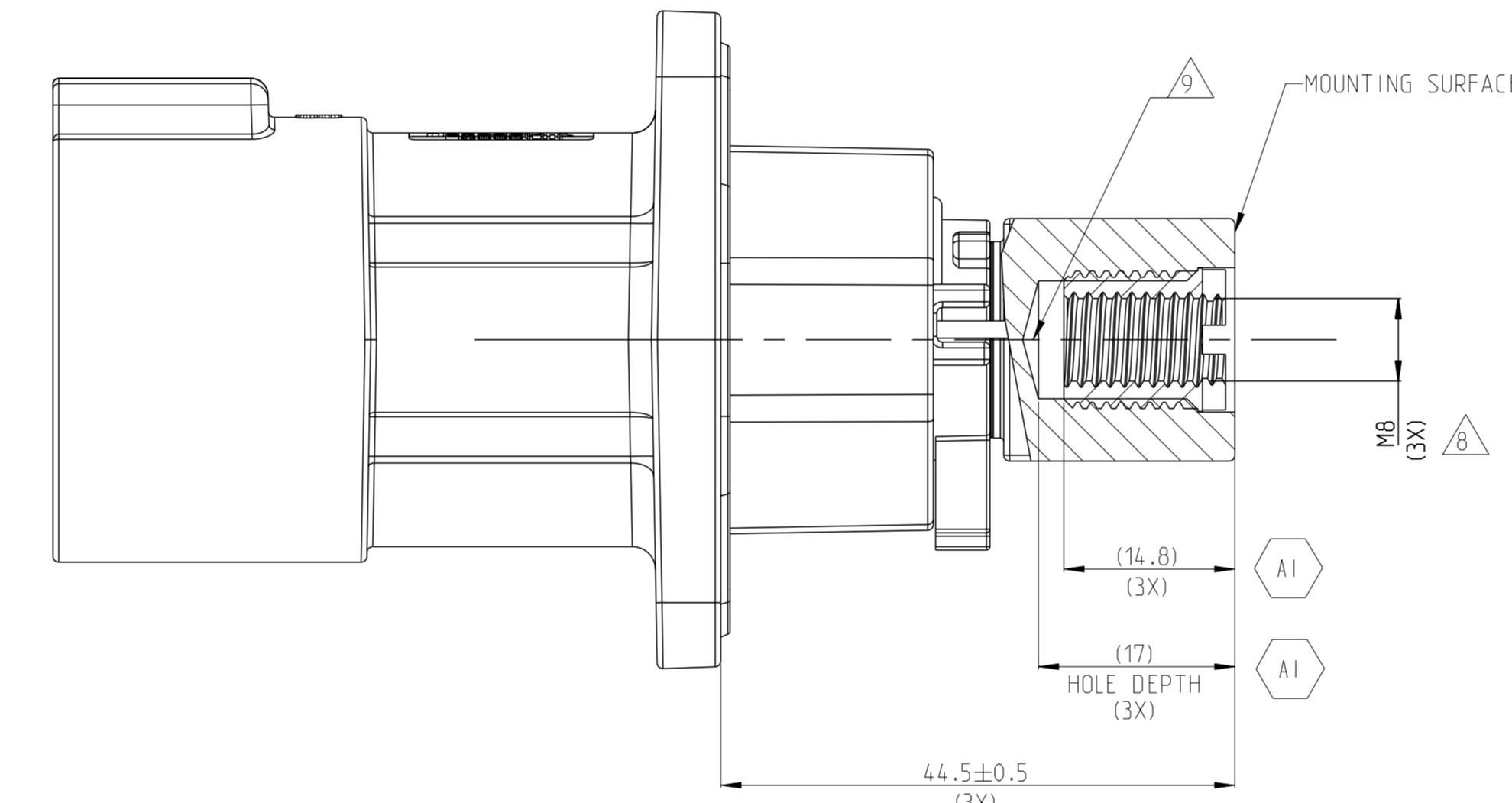
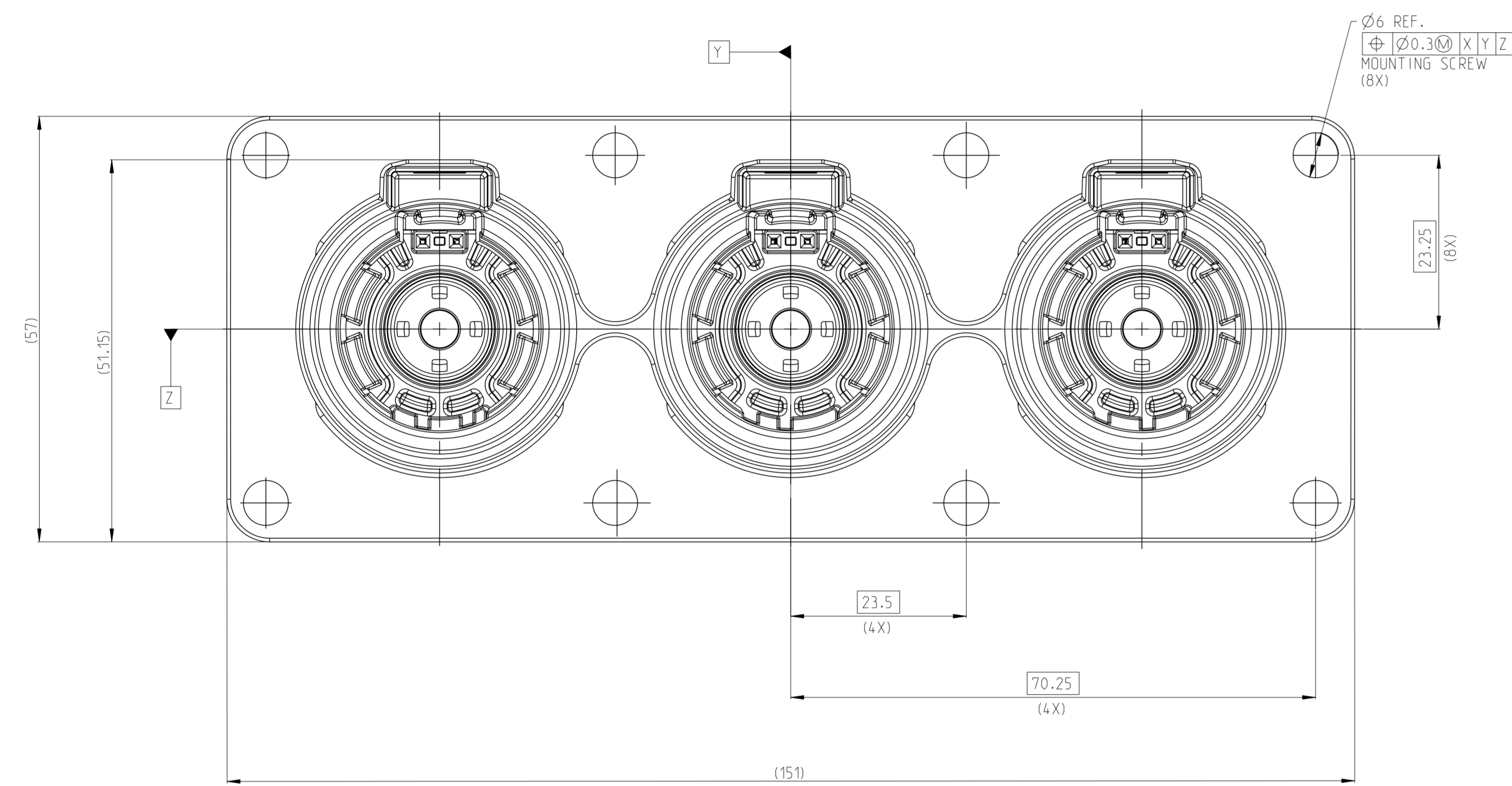


REVISIONS			
REV	DATE	BY	APPD
A	INITIAL RELEASED	29DEC2021	S.T 1.Y
A1	ECR-22-136442	MAR2022	S.T 2.Z

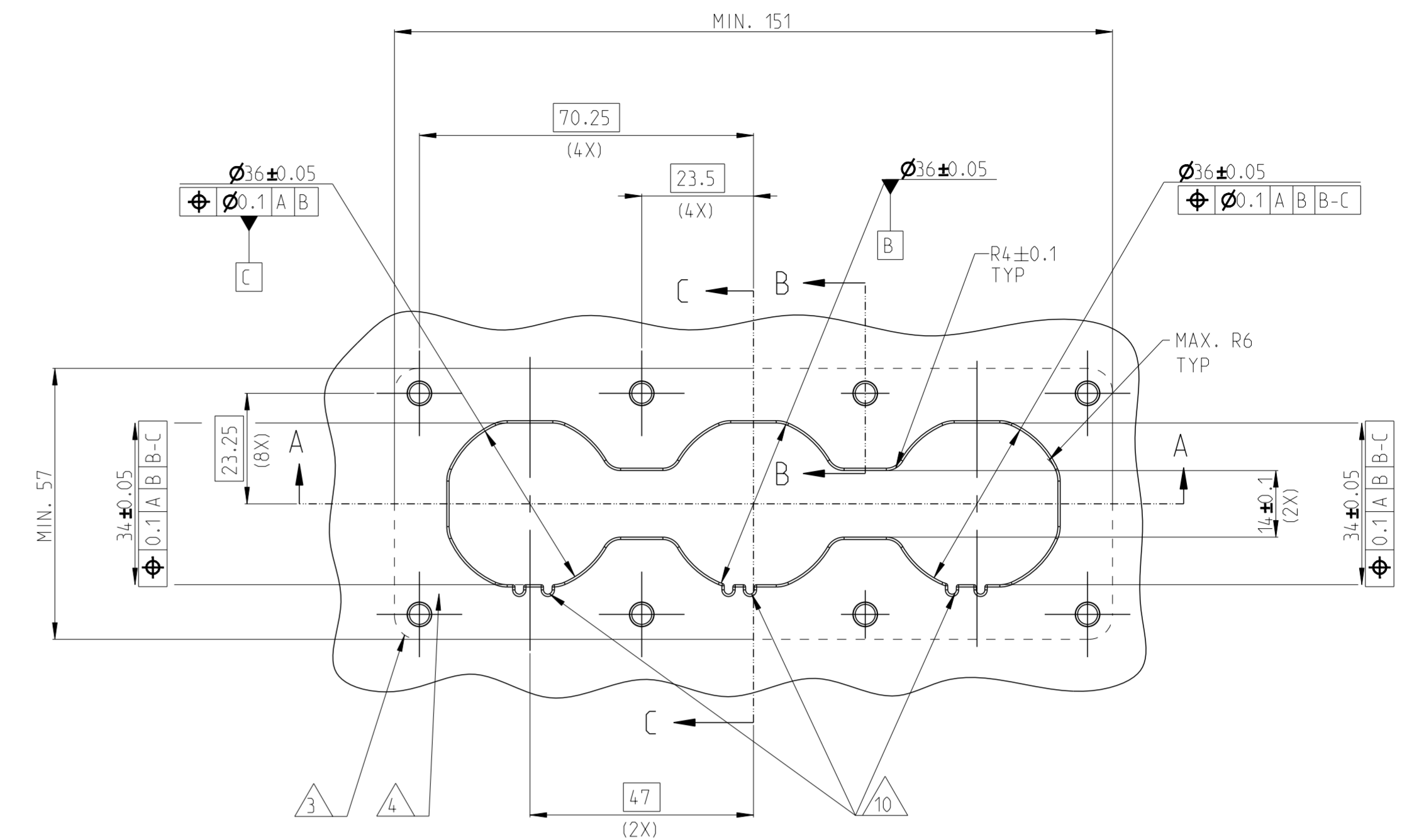


SCALE 1:1

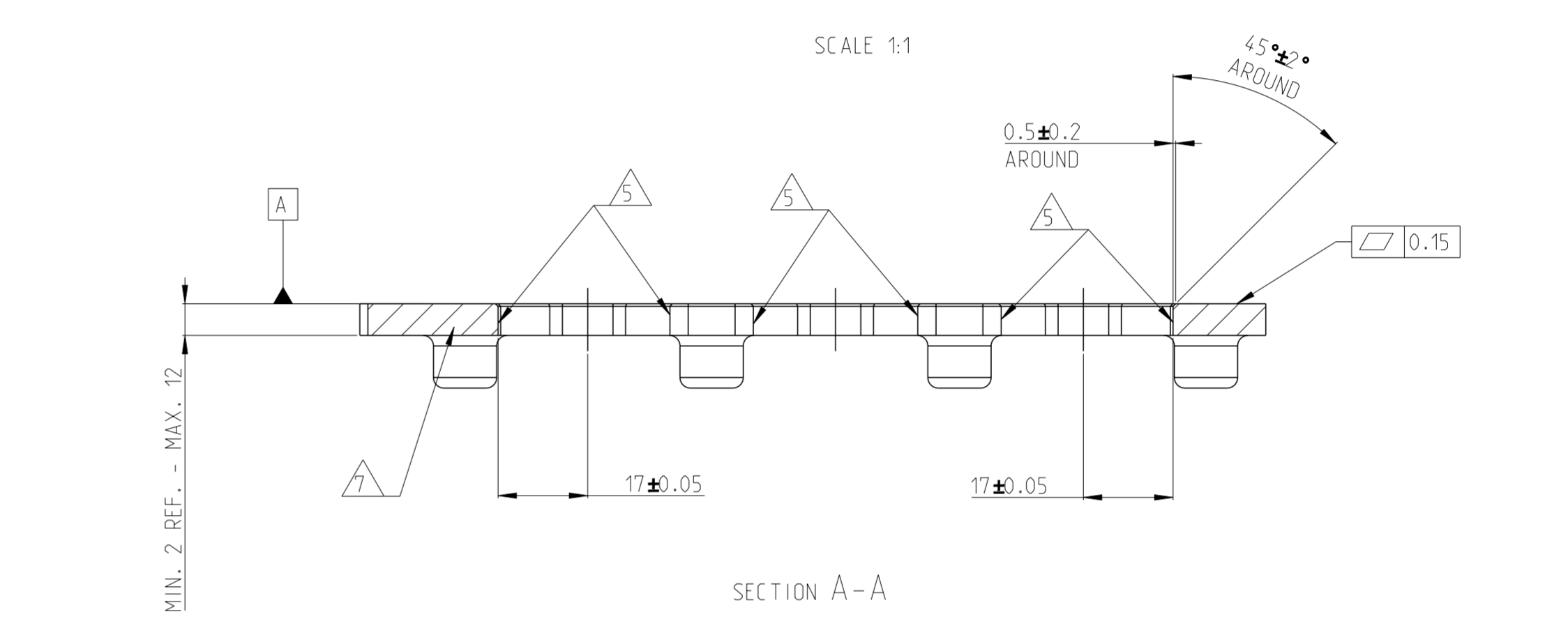


SECTION A-A

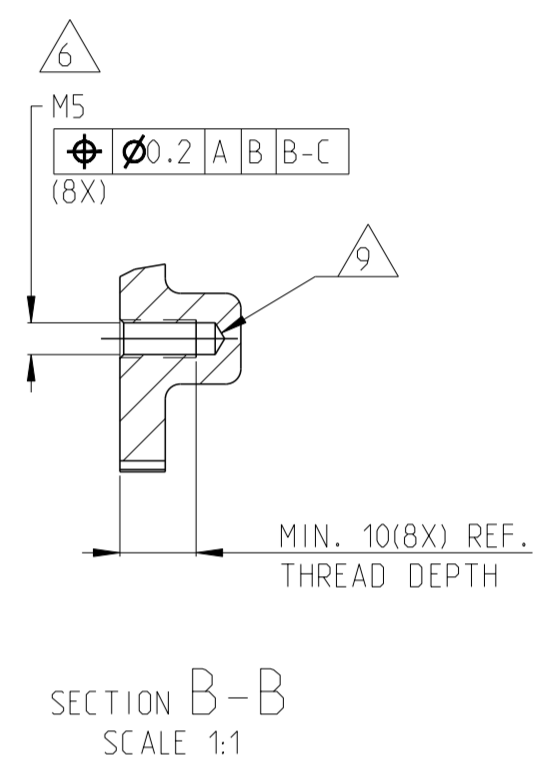
ADAPTER PLATE - HVP-HD1400 3POS HEADER INTERFACE



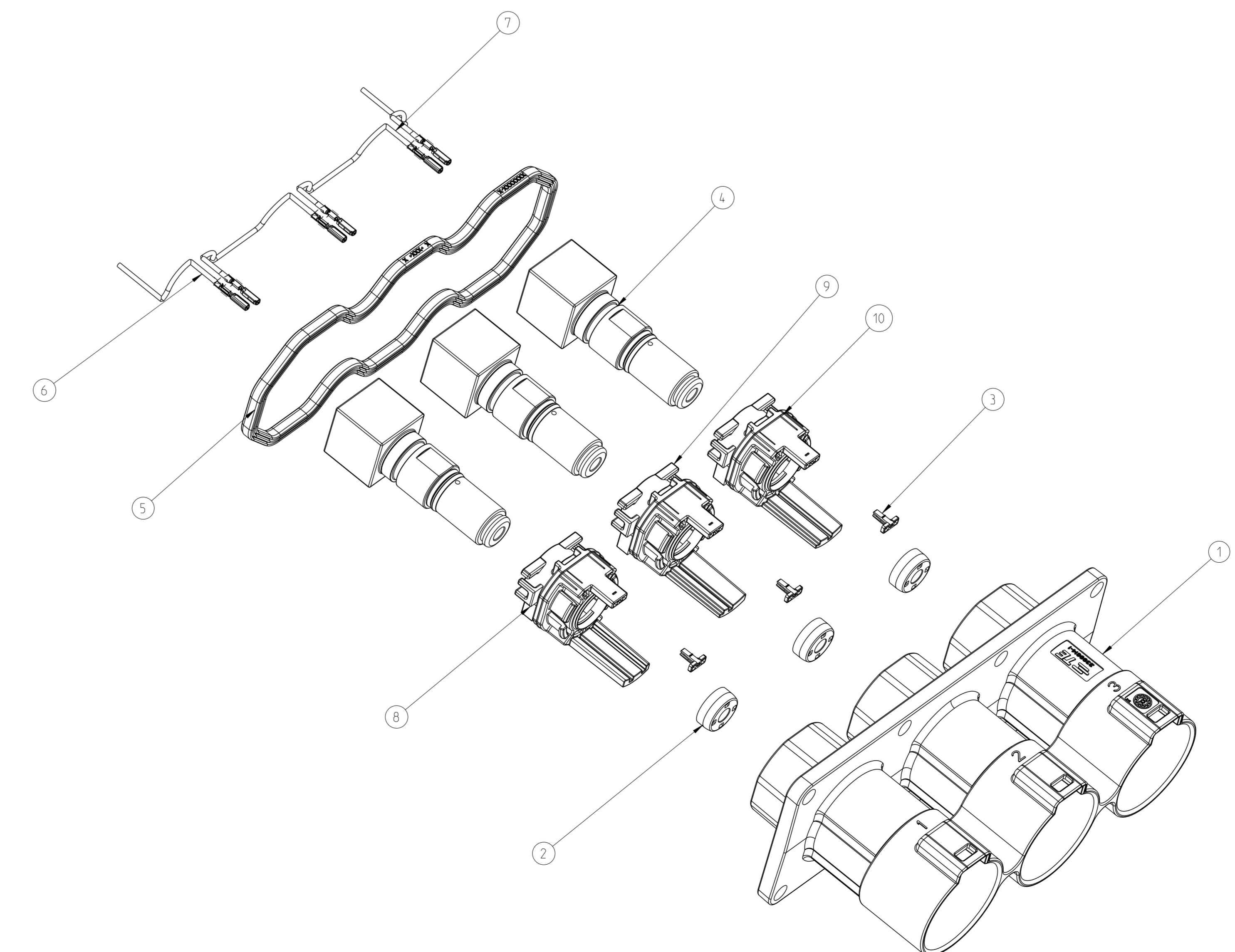
SECTION C-C



SECTION A-A



SECTION B-B SCALE 1:1



SCALE 1:1

2-1 AS SHOWN

- 1. MATING CONNECTOR REFER TO DRAWING 2400957
- △ CODING VARIANT
- △ FREE SPACE FOR HEADER
- △ SEALING ARE AND BURR TOOL PARTING, SHRINKAGE, CAVITIES AND GATE MARKS PERMITTED. SURFACE ROUGHNESS: Ra=1.6
- △ DRAFT ANGLE UP TO 0.5° PERMITTED
- △ MOUNTING SCREW MS. SCREW TYPE UP TO MANUFACTURER DRILL HOLE DESIGN ACCORDING TO SCREW TYPE
- △ MATERIAL CORROSION RESISTANT, ELECTROCONDUCTIVE
- △ SCREW MB FOR BUSBAR CONNECTION
- △ ALL THREAD HOLES ARE BLIND HOLES
- △ INTERFACE PANEL CODE SEE SHEET 4

TE-ASSY-NO	CODE	DESCRIPTION	DESCRIPTION	CODE	MATERIAL	SURFACE COLOR	WEIGHT (g)	QTY	ITEM
2-2399608-4	K/L/M	3POS.PIN DIA 14.0 HDR ASSY.180DEG	CODE HOUSING	M	PA66-GF	AQUA RED	(725)	1	10
			CODE HOUSING	L	PA66-GF	AQUA BROWN		1	9
			CODE HOUSING	K	PA66-GF	AQUA GREEN		1	8
			FOLLOW 2-2399608-1	-	-	-		-	1-7
2-2399608-3	G/H/J	3POS.PIN DIA 14.0 HDR ASSY.180DEG	CODE HOUSING	J	PA66-GF	ORANGE	(725)	1	10
			CODE HOUSING	H	PA66-GF	YELLOW		1	9
			CODE HOUSING	G	PA66-GF	RED		1	8
			FOLLOW 2-2399608-1	-	-	-		-	1-7
2-2399608-2	D/E/F	3POS.PIN DIA 14.0 HDR ASSY.180DEG	CODE HOUSING	F	PA66-GF	BROWN	(725)	1	10
			CODE HOUSING	E	PA66-GF	GREEN		1	9
			CODE HOUSING	D	PA66-GF	PURPLE		1	8
			FOLLOW 2-2399608-1	-	-	-		-	1-7
2-2399608-1	A/B/C	3POS.PIN DIA 14.0 HDR ASSY.180DEG	CODE HOUSING	C	PA66-GF	BLUE	(725)	1	10
			CODE HOUSING	B	PA66-GF	NATURE		1	9
			CODE HOUSING	A	PA66-GF	BLACK		1	8
			HV INTERLOCK CABLE BRIDGED	-	-	-		2	7
			HV INTERLOCK CABLE	-	-	-		2	6
			FACE SEAL	-	SILICON	RED		1	5
			BUSBAR TOP SIDE	-	COPPER	Ag PLATED		3	4
			HEADER TPA	-	PA66-GF	RED		3	3
			FINGER PROTECTION CAP	-	PA66-GF	BLACK		3	2
			HEADER HOUSING 180DEG.3POS	-	AL-ALLOY	NICKEL PLATED		1	1

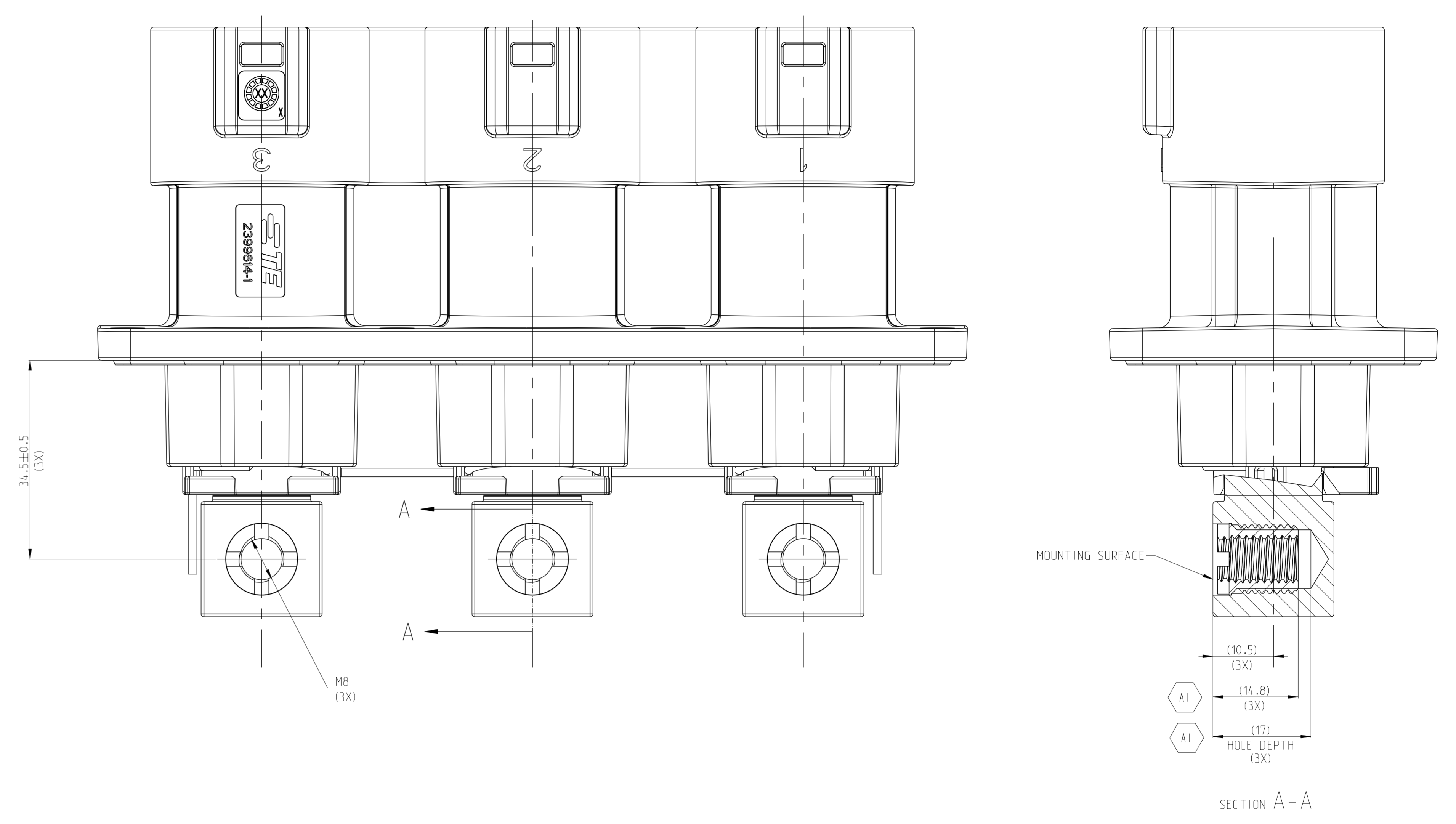
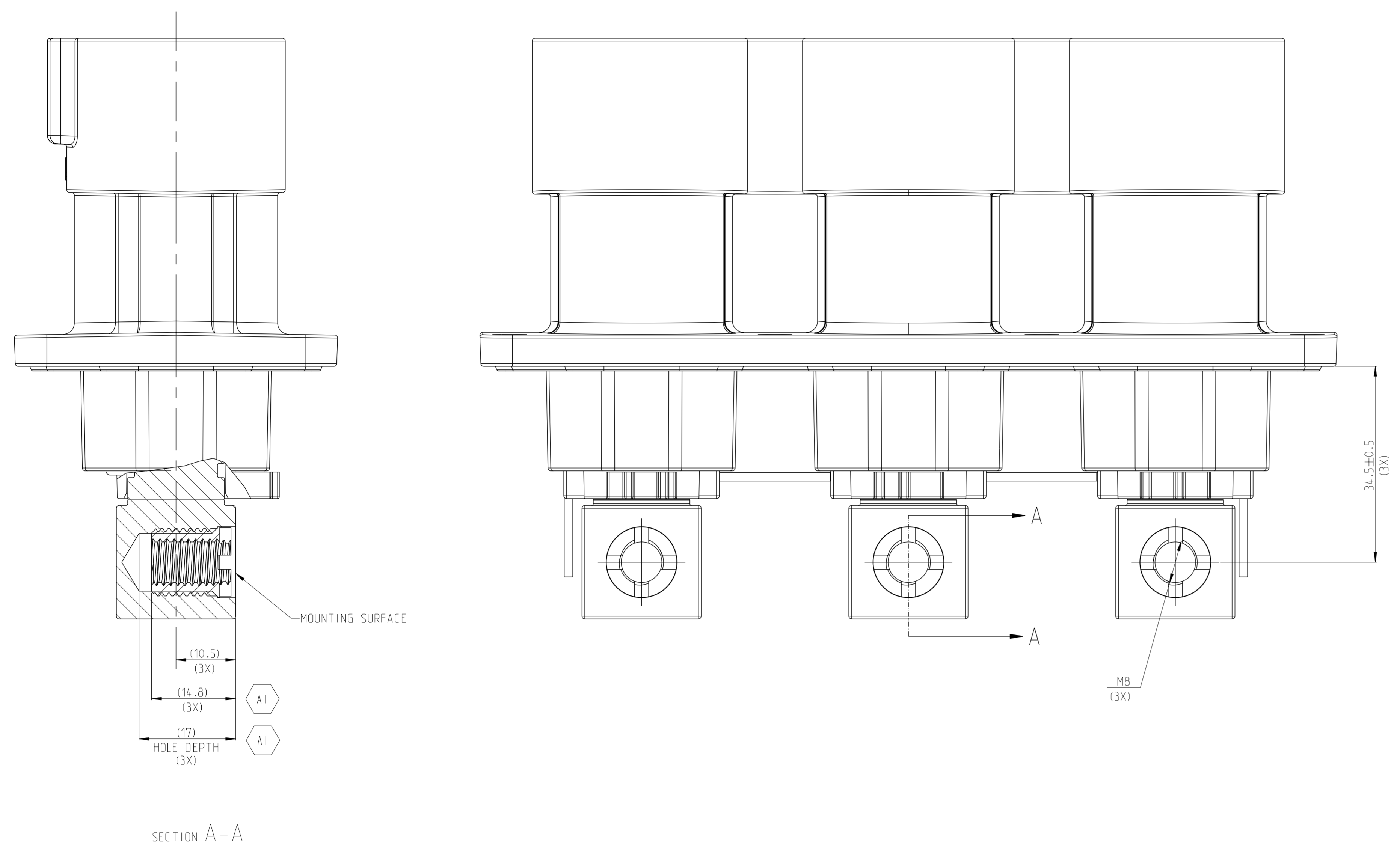
THIS DRAWING IS A CONTROLLED DOCUMENT.

DATE: 29DEC2021	REV: 1	BY: S.TAN	APPD: S.TAN
DATE: 29DEC2021	REV: 1	BY: J.LL	APPD: J.LL
DATE: 29DEC2021	REV: 1	BY: J.VIN	APPD: J.VIN

NAME: 3POS.PIN DIA 14.0 HDR ASSY.180DEG
HVP-HD1400

SCALE: 2:1 SHEET 1 OF 4

REVISIONS			
REV	DATE	BY	APPV
-	-	-	-
-	-	-	-



TE-ASSY-NO	CODE	DESCRIPTION	DESCRIPTION	CODE	MATERIAL	SURFACE COLOR	WEIGHT (g)	QTY	ITEM
2399608-4	K/L/M	3POS,PIN DIA 14.0 HDR ASSY,180DEG	CODE HOUSING	M	PA66-GF	AQUA RED	(725)	1	10
			CODE HOUSING	L	PA66-GF	AQUA BROWN		1	9
			CODE HOUSING	K	PA66-GF	AQUA GREEN		1	8
			FOLLOW 2399608-1	-	-	-		-	1-7
2399608-3	G/H/J	3POS,PIN DIA 14.0 HDR ASSY,180DEG	CODE HOUSING	J	PA66-GF	ORANGE	(725)	1	10
			CODE HOUSING	H	PA66-GF	YELLOW		1	9
			CODE HOUSING	G	PA66-GF	RED		1	8
			FOLLOW 2399608-1	-	-	-		-	1-7
2399608-2	D/E/F	3POS,PIN DIA 14.0 HDR ASSY,180DEG	CODE HOUSING	F	PA66-GF	BROWN	(725)	1	10
			CODE HOUSING	E	PA66-GF	GREEN		1	9
			CODE HOUSING	D	PA66-GF	PURPLE		1	8
			FOLLOW 2399608-1	-	-	-		-	1-7
2399608-1	A/B/C	3POS,PIN DIA 14.0 HDR ASSY,180DEG	CODE HOUSING	C	PA66-GF	BLUE	(725)	1	10
			CODE HOUSING	B	PA66-GF	NATURE		1	9
			CODE HOUSING	A	PA66-GF	BLACK		1	8
			HV INTERLOCK CABLE,BRIDGED	-	-	-		2	7
			HV INTERLOCK CABLE	-	-	-		2	6
			FACE SEAL	-	SILICON	RED		1	5
			BUSBAR,FRONT SIDE	-	COPPER	Ag PLATED		3	4
			HEADER TPA	-	PA66-GF	RED		3	3
			FINGER PROTECTION CAP	-	PA66-GF	BLACK		3	2
			HEADER HOUSING 180DEG,3POS	-	AL-ALLOY	NICKEL PLATED		1	1

TE-ASSY-NO	CODE	DESCRIPTION	DESCRIPTION	CODE	MATERIAL	SURFACE COLOR	WEIGHT (g)	QTY	ITEM
1-2399608-4	K/L/M	3POS,PIN DIA 14.0 HDR ASSY,180DEG	CODE HOUSING	M	PA66-GF	AQUA RED	(725)	1	10
			CODE HOUSING	L	PA66-GF	AQUA BROWN		1	9
			CODE HOUSING	K	PA66-GF	AQUA GREEN		1	8
			FOLLOW 1-2399608-1	-	-	-		-	1-7
1-2399608-3	G/H/J	3POS,PIN DIA 14.0 HDR ASSY,180DEG	CODE HOUSING	J	PA66-GF	ORANGE	(725)	1	10
			CODE HOUSING	H	PA66-GF	YELLOW		1	9
			CODE HOUSING	G	PA66-GF	RED		1	8
			FOLLOW 1-2399608-1	-	-	-		-	1-7
1-2399608-2	D/E/F	3POS,PIN DIA 14.0 HDR ASSY,180DEG	CODE HOUSING	F	PA66-GF	BROWN	(725)	1	10
			CODE HOUSING	E	PA66-GF	GREEN		1	9
			CODE HOUSING	D	PA66-GF	PURPLE		1	8
			FOLLOW 1-2399608-1	-	-	-		-	1-7
1-2399608-1	A/B/C	3POS,PIN DIA 14.0 HDR ASSY,180DEG	CODE HOUSING	C	PA66-GF	BLUE	(725)	1	10
			CODE HOUSING	B	PA66-GF	NATURE		1	9
			CODE HOUSING	A	PA66-GF	BLACK		1	8
			HV INTERLOCK CABLE,BRIDGED	-	-	-		2	7
			HV INTERLOCK CABLE	-	-	-		2	6
			FACE SEAL	-	SILICON	RED		1	5
			BUSBAR,BACK SIDE	-	COPPER	Ag PLATED		3	4
			HEADER TPA	-	PA66-GF	RED		3	3
			FINGER PROTECTION CAP	-	PA66-GF	BLACK		3	2
			HEADER HOUSING 180DEG,3POS	-	AL-ALLOY	NICKEL PLATED		1	1

THIS DRAWING IS A CONTROLLED DOCUMENT.

DATE: 29DEC2021
 CHK: J.L.L.
 DATE: 29DEC2021
 DATE: 29DEC2021

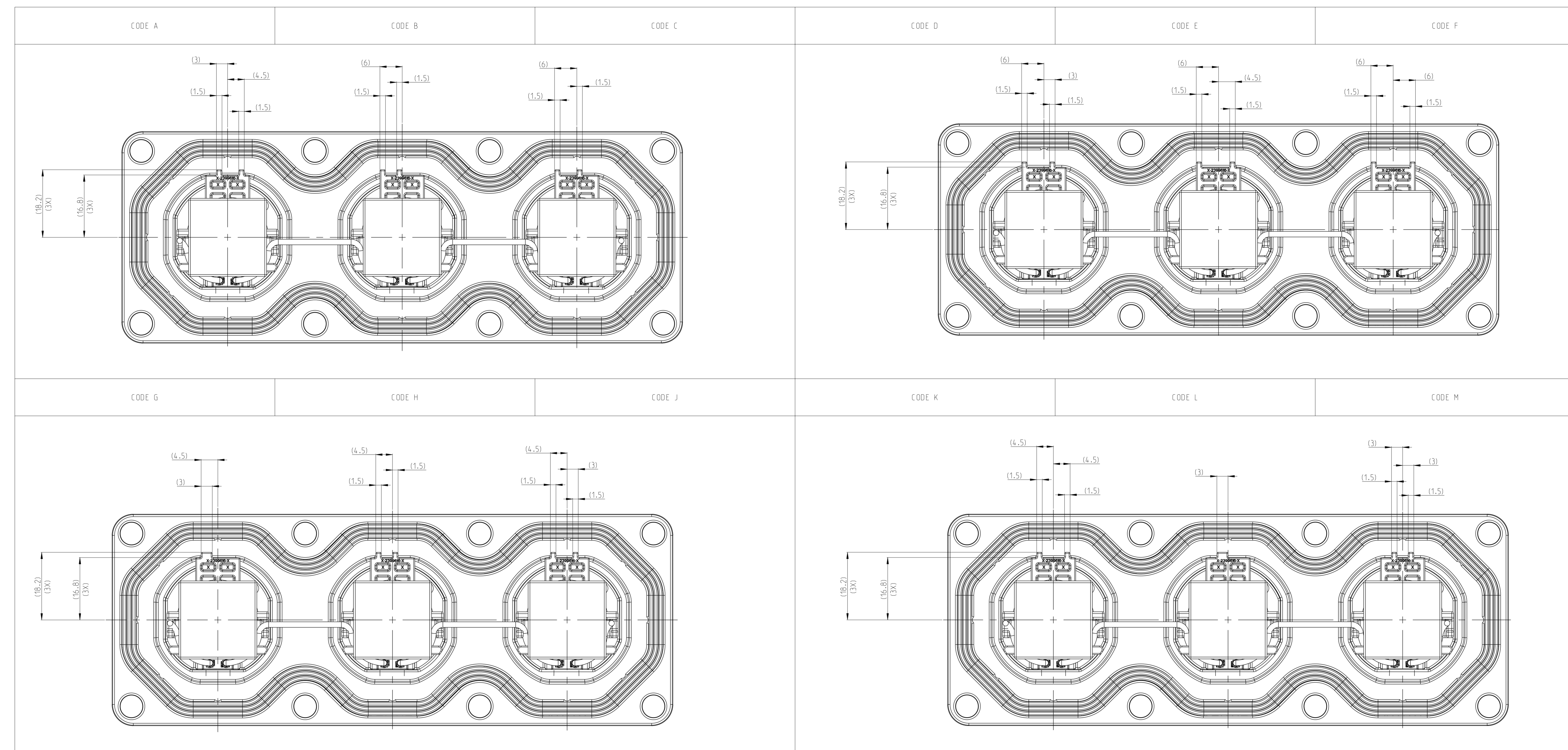
TE Connectivity

NAME: 3POS,PIN DIA 14.0 HDR ASSY,180DEG
 HVP-HD 14.00

SIZE: A0
 CASE CODE: 00779
 DRAWING NO: 2399608

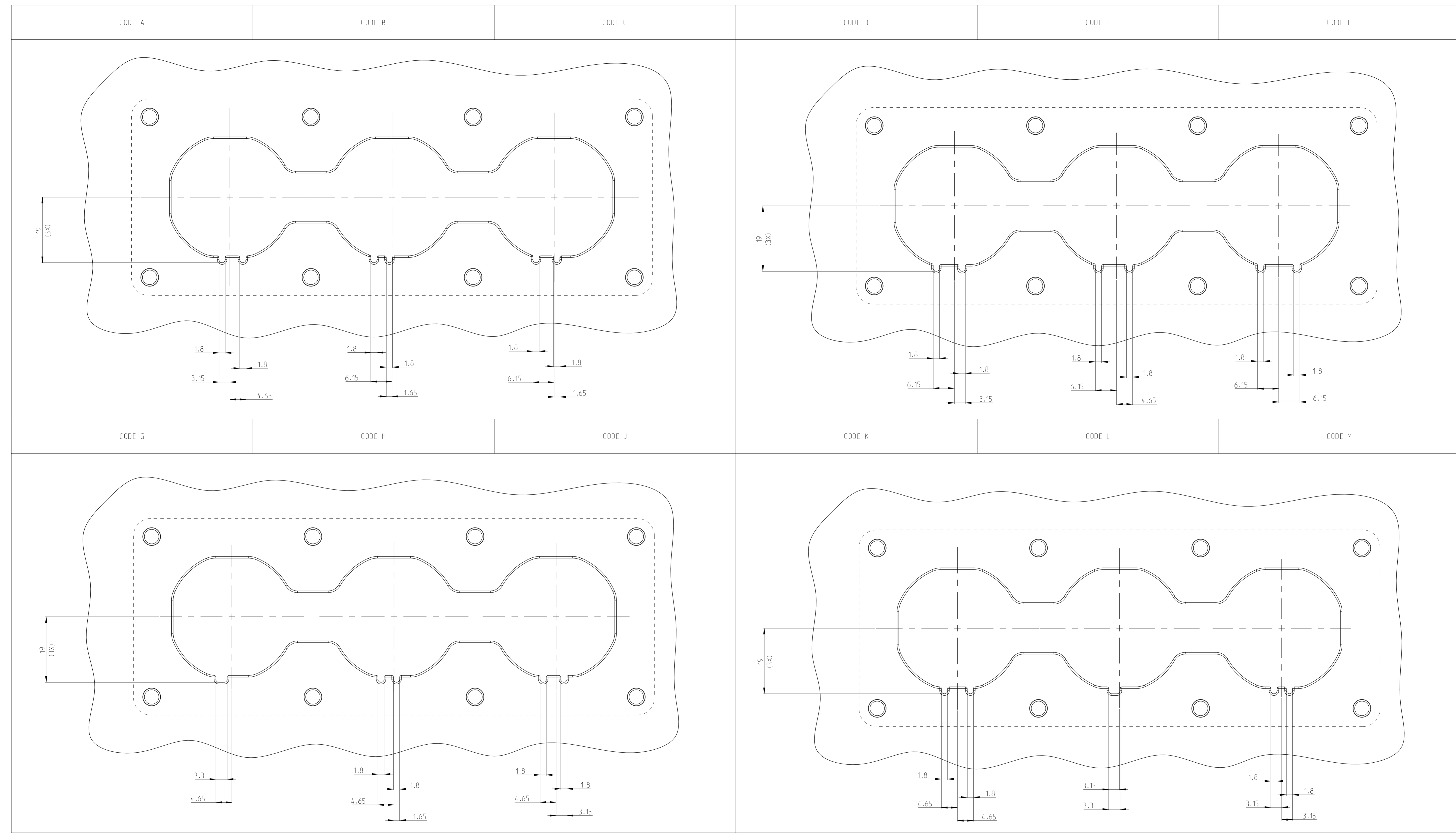
SCALE: 2:1
 SHEET: 2 of 4
 REV: A1

REVISIONS			
P	LVN	DESCRIPTION	DATE
-	-	SEE SHEET 1	-



THIS DRAWING IS A CONTROLLED DOCUMENT.		DATE: 29DEC2021	REV: 1
DRAWN BY: S.TAN		DATE: 29DEC2021	REV: 1
CHECKED BY: J.L.L.		DATE: 29DEC2021	REV: 1
DESIGNED BY: J.V.VIN		DATE: 29DEC2021	REV: 1
PRODUCT SPEC: 108-160407		NAME: 3POS.PIN DIA 14.0.HDR ASSY.180DEG	
APPLICATION SPEC: 114-160222		NAME: HVP-HD 14.00	
MATERIAL: SEE TABLE		SCALE: 2:1	SHEET 3 OF 4
FINISH: SDRCS		WEIGHT: SEE TABLE	REV: A1
CUSTOMER DRAWING		SIZE: A0	00779 ©=2399608

REVISIONS			
REV	DATE	DESCRIPTION	BY
1		SEE SHEET 1	



THIS DRAWING IS A CONTROLLED DOCUMENT.		DATE: 29DEC2021	REV: S.TAN
DRAWN BY: S.TAN		DATE: 29DEC2021	REV: L.L.
CHECKED BY: J.VIN		DATE: 29DEC2021	REV: J.VIN
DESIGNED BY: J.VIN		DATE: 29DEC2021	REV: J.VIN
PRODUCT SPEC: 109-160407		NAME: 3POS.PIN DIA 14.0.HDR ASSY.180DEG HVP-HD 14.00	
APPLICATION SPEC: 114-160222		SIZE: CASE CODE DRAWING NO: A0 00779 ©=2399608	
MATERIAL: SEE TABLE		RESTRICTED TO: -	
FINISH: SDRZ		SCALE: 2:1 SHEET 6 OF 4 REL A1	

X-ON Electronics

Largest Supplier of Electrical and Electronic Components

Click to view similar products for [Headers & Wire Housings](#) category:

Click to view products by [TE Connectivity](#) manufacturer:

Other Similar products are found below :

[892-18-020-10-001101](#) [0010894062](#) [0010977306](#) [0015477636](#) [0015917161](#) [0022104068](#) [0022121042](#) [0022155065](#) [0022281023](#) [57102-F02-18ULF](#) [58102-G61-06LF](#) [582553-1](#) [0015911208](#) [01.001.5753.1](#) [0022285048](#) [0050291907](#) [02.125.8002.8](#) [CSU011177004](#) [622-0430](#) [622-3653LF](#) [63453-116](#) [636-1030](#) [636-1427](#) [636-3427](#) [636-4007](#) [641938-9](#) [65495-038](#) [65692-001LF](#) [65781-018](#) [65781-047](#) [65817-010LF](#) [65817-015LF](#) [67095-007LF](#) [67601157](#) [68631-112](#) [68645-018](#) [699319-000](#) [70.362.1628.0](#) [70-4210](#) [70-4226B](#) [70-4853B](#) [707-5028](#) [71.350.2428.0](#) [733-134](#) [733-162](#) [760-3052](#) [MHR-64-VUAL](#) [80.063.4001.1](#) [800-90-001-10-001000](#) [801-43-002-10-013000](#)