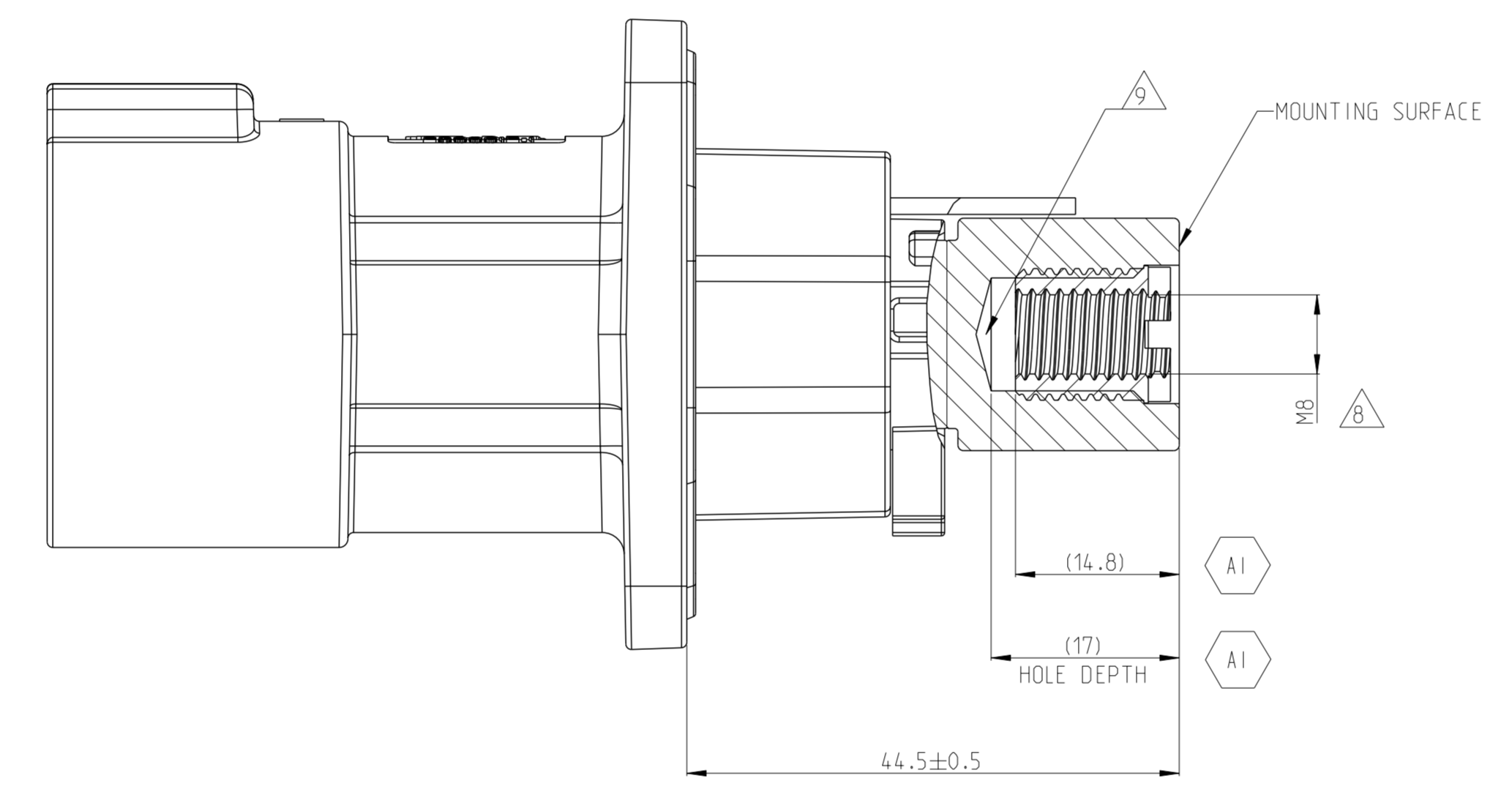
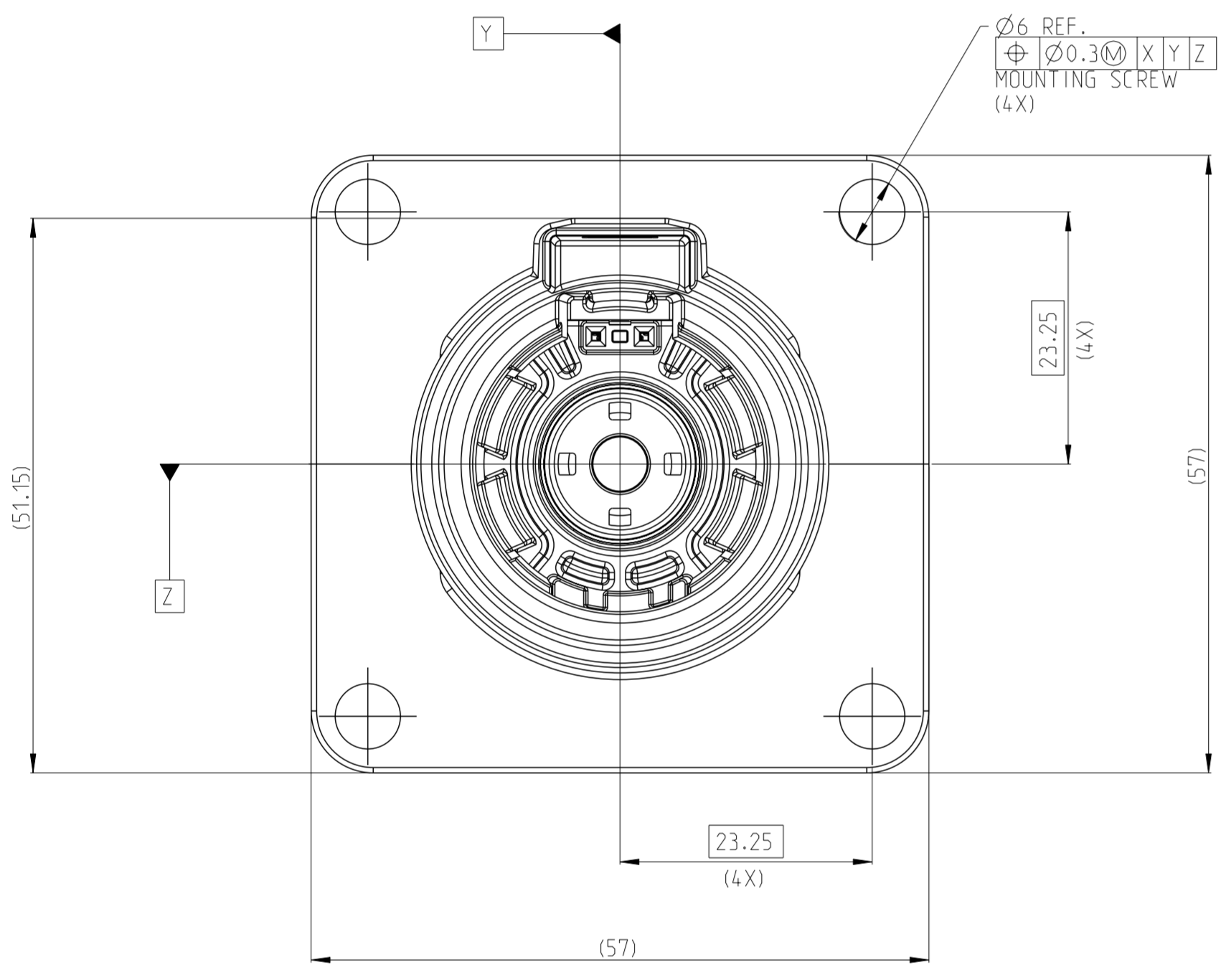
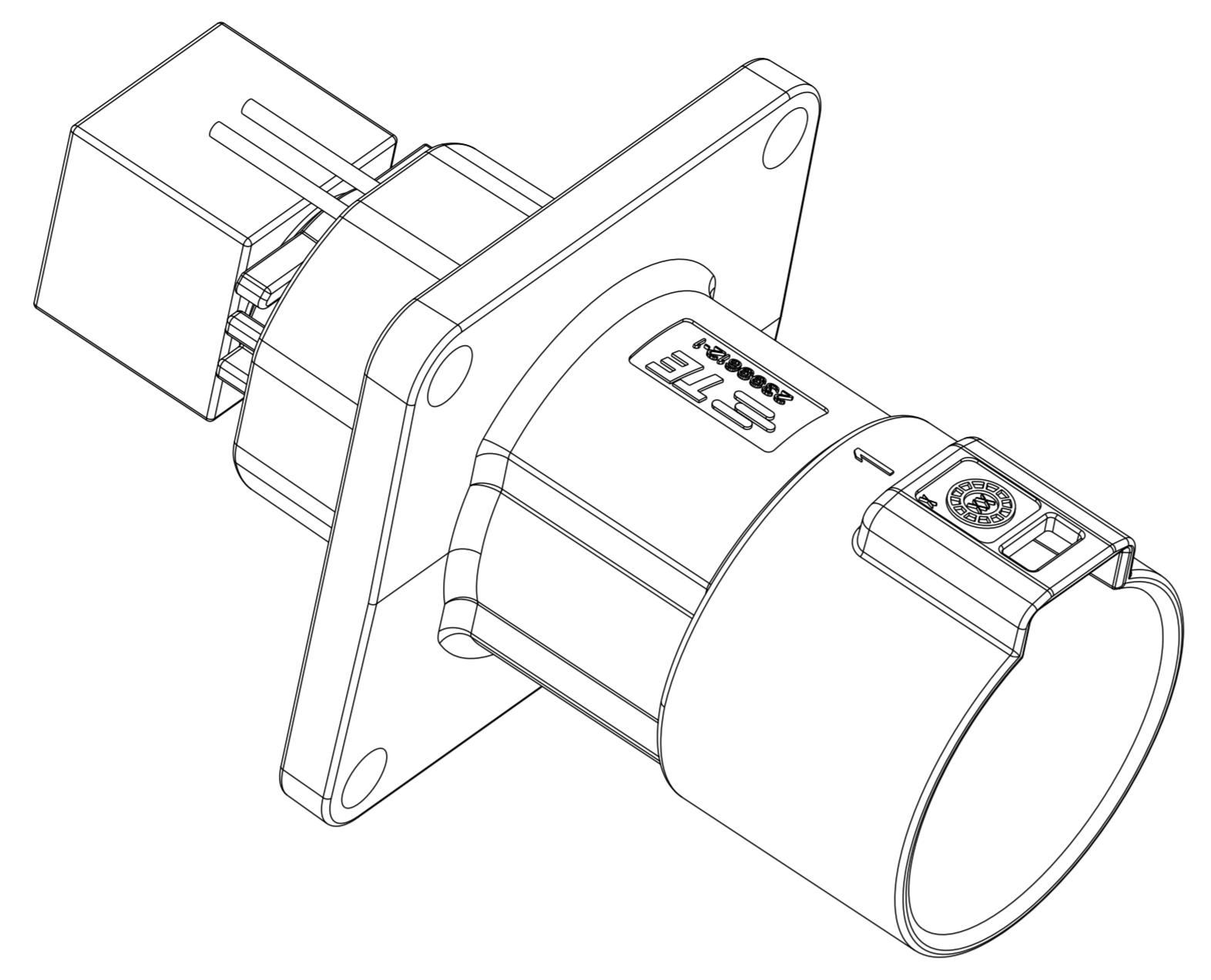
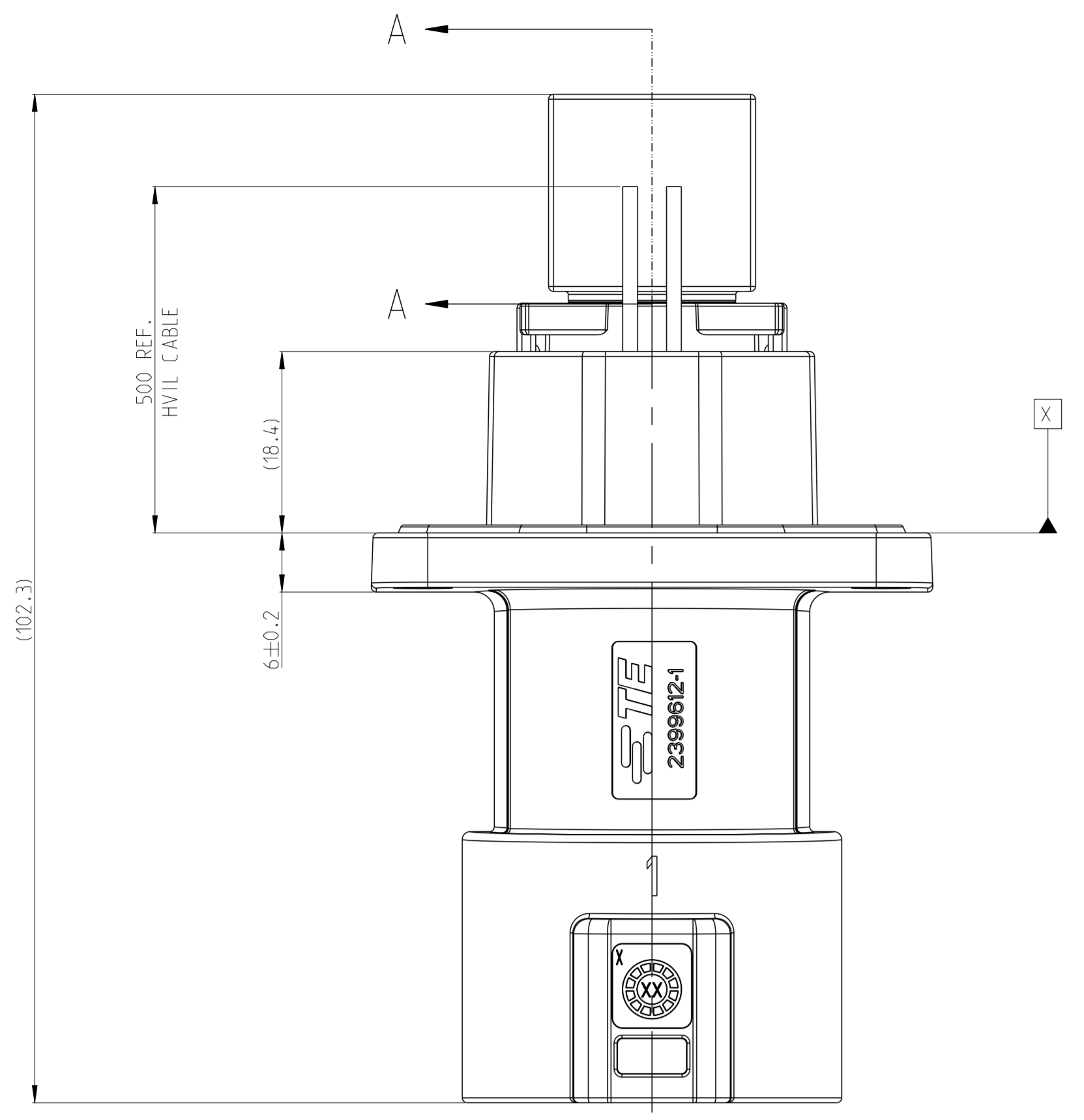
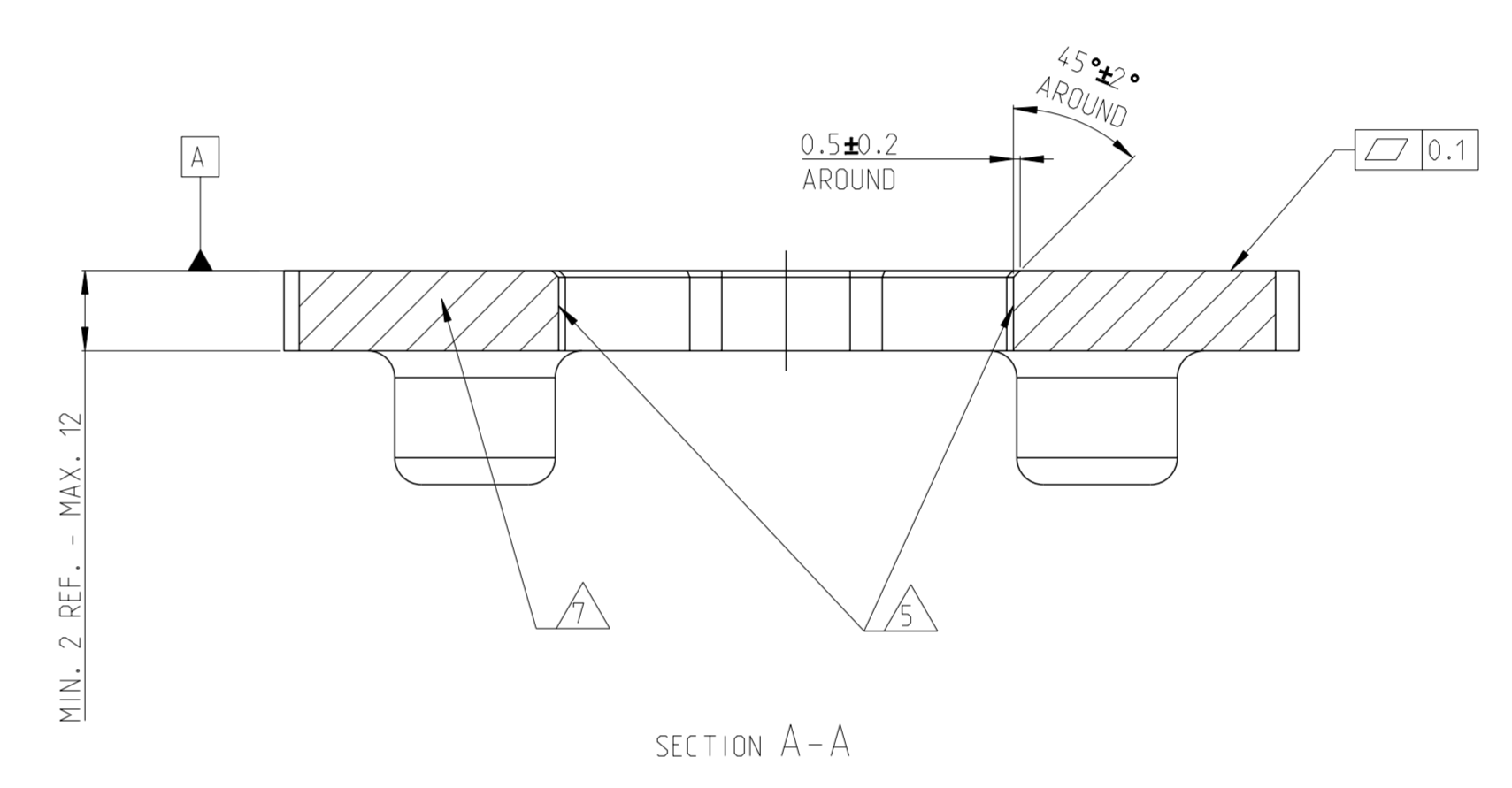
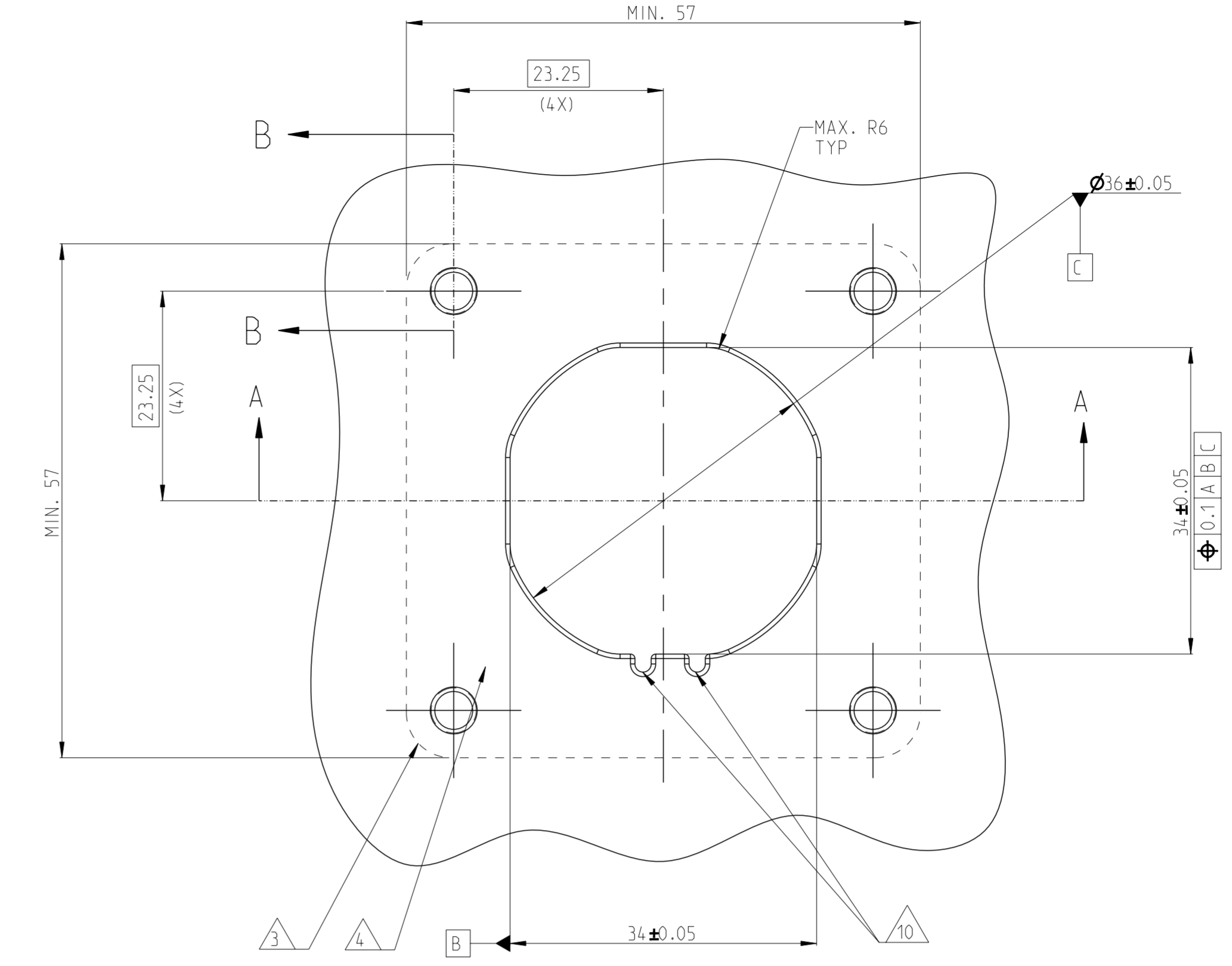


REVISIONS			
REV	DATE	BY	APPD
A	INITIAL DRAWING	PRODEC2021	S.T 1.Y
A1	ECR-22-136442	MAR2022	S.T 2.Z

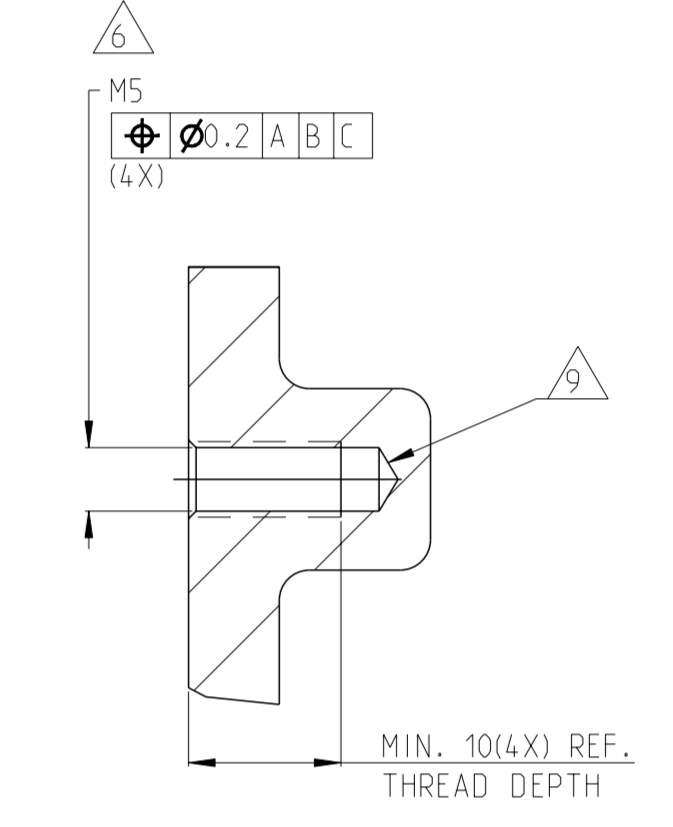


SECTION A-A

ADAPTER PLATE - HVP-HD1400 1POS HEADER INTERFACE



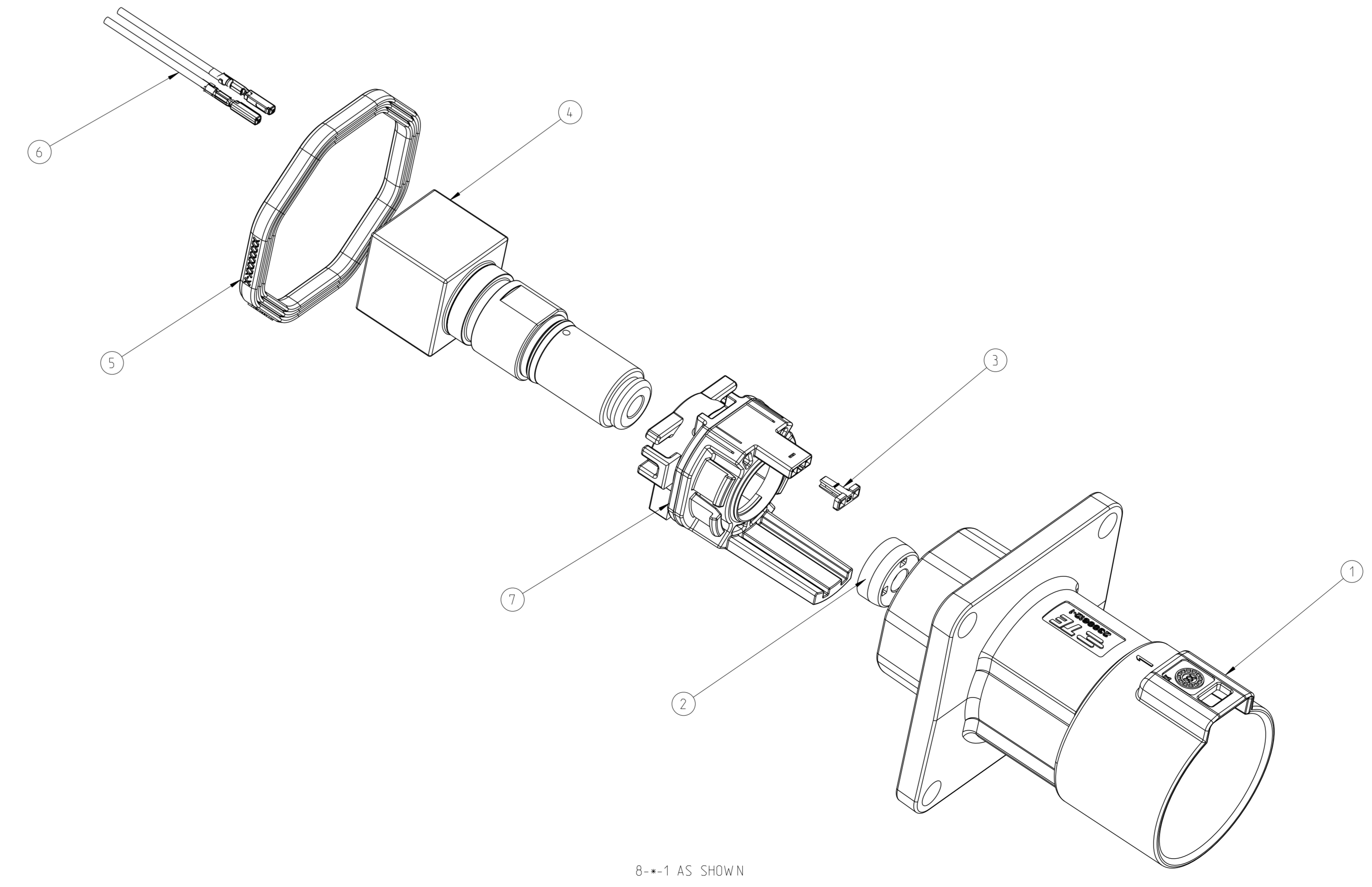
SECTION A-A



SECTION B-B

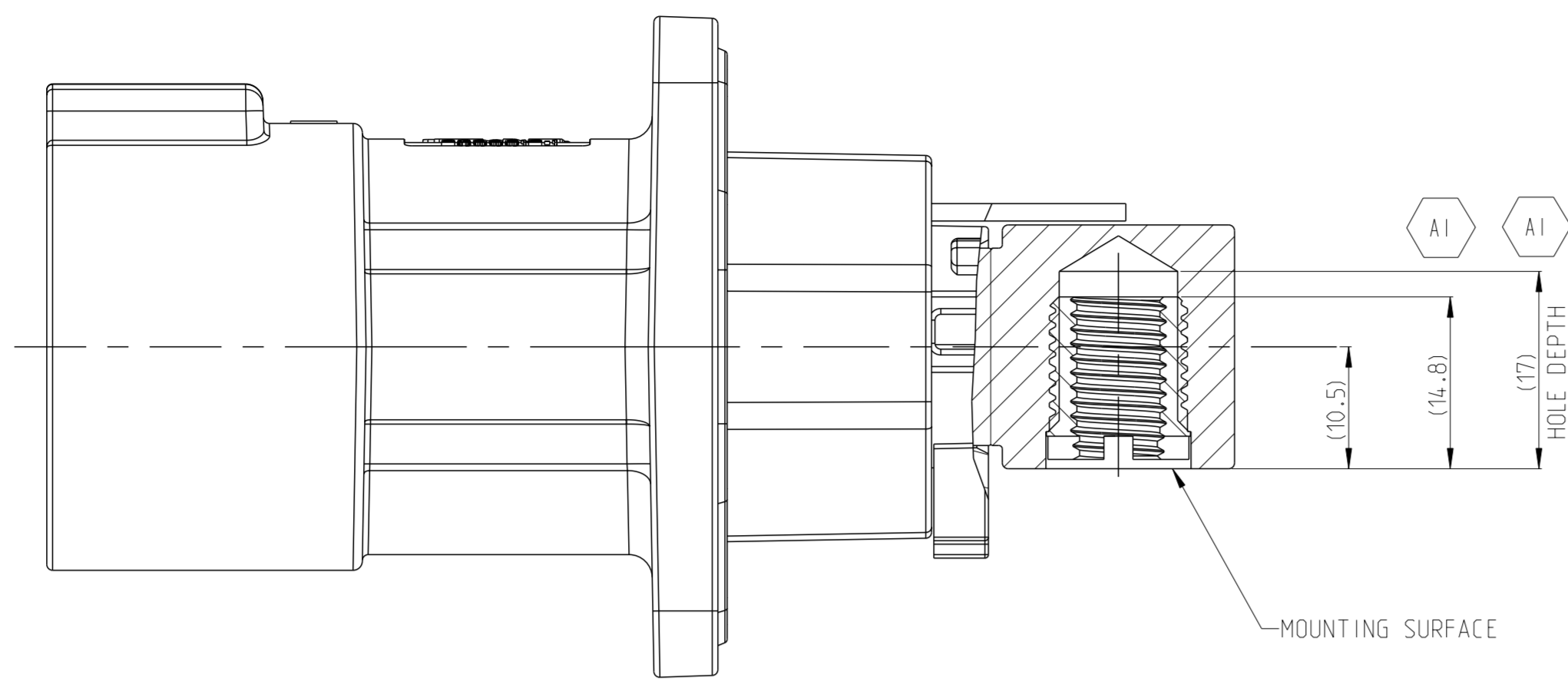
- 1. MATING CONNECTOR REFER TO DRAWING 2400957
- △ CODING VARIANT
- △ FREE SPACE FOR HEADER
- △ SEALING AREA: NO BURR, TOOL PARTING, SHRINKAGE. CAVITIES AND GATE MARKS PERMITTED. SURFACE ROUGHNESS Ra<1.6
- △ DRAFT ANGLE UP TO 0.5° PERMITTED
- △ MOUNTING SCREW MS, SCREW TYPE UP TO MANUFACTURER, DRILL HOLE DESIGN ACCORDING TO SCREW TYPE
- △ MATERIAL: CORROSION RESISTANT, ELECTROCONDUCTIVE
- △ SCREW M8 FOR BUSBAR CONNECTION
- △ ALL THREAD HOLES ARE BLIND HOLES
- △ INTERFACE PANEL CODE SEE SHEET 5

9-2399606-3	M	1POS, PIN DIA 14.0 HDR ASSY, 180DEG	CODE HOUSING FOLLOW 8-2399606-1	M	PA66-GF	AQUA RED	(245)	1	7
9-2399606-2	L	1POS, PIN DIA 14.0 HDR ASSY, 180DEG	CODE HOUSING FOLLOW 8-2399606-1	L	PA66-GF	AQUA BROWN	(245)	1	7
9-2399606-1	K	1POS, PIN DIA 14.0 HDR ASSY, 180DEG	CODE HOUSING FOLLOW 8-2399606-1	K	PA66-GF	AQUA GREEN	(245)	1	7
8-2399606-9	J	1POS, PIN DIA 14.0 HDR ASSY, 180DEG	CODE HOUSING FOLLOW 8-2399606-1	J	PA66-GF	DRANGE	(245)	1	7
8-2399606-8	H	1POS, PIN DIA 14.0 HDR ASSY, 180DEG	CODE HOUSING FOLLOW 8-2399606-1	H	PA66-GF	YELLOW	(245)	1	7
8-2399606-7	G	1POS, PIN DIA 14.0 HDR ASSY, 180DEG	CODE HOUSING FOLLOW 8-2399606-1	G	PA66-GF	RED	(245)	1	7
8-2399606-6	F	1POS, PIN DIA 14.0 HDR ASSY, 180DEG	CODE HOUSING FOLLOW 8-2399606-1	F	PA66-GF	BROWN	(245)	1	7
8-2399606-5	E	1POS, PIN DIA 14.0 HDR ASSY, 180DEG	CODE HOUSING FOLLOW 8-2399606-1	E	PA66-GF	GREEN	(245)	1	7
8-2399606-4	D	1POS, PIN DIA 14.0 HDR ASSY, 180DEG	CODE HOUSING FOLLOW 8-2399606-1	D	PA66-GF	PURPLE	(245)	1	7
8-2399606-3	C	1POS, PIN DIA 14.0 HDR ASSY, 180DEG	CODE HOUSING FOLLOW 8-2399606-1	C	PA66-GF	BLUE	(245)	1	7
8-2399606-2	B	1POS, PIN DIA 14.0 HDR ASSY, 180DEG	CODE HOUSING FOLLOW 8-2399606-1	B	PA66-GF	NATURE	(245)	1	7
8-2399606-1	A	1POS, PIN DIA 14.0 HDR ASSY, 180DEG	CODE HOUSING HV INTERLOCK CABLE FACE SEAL BUSBAR, TOP SIDE HEADER TPA FINGERS PROTECTION CAP HEADER HOUSING 180DEG, 1POS	A	PA66-GF SILICONE PA66-GF PA66-GF AL-ALLOY	BLACK RED RED BLACK NICKEL PLATED	(245)	1 2 1 1 1	7 6 5 4 3 2 1
TE-ASSY-NO	CODE	DESCRIPTION	DESCRIPTION	CODE	MATERIAL	SURFACE COLOR	WEIGHT (g)	QTY	ITEM

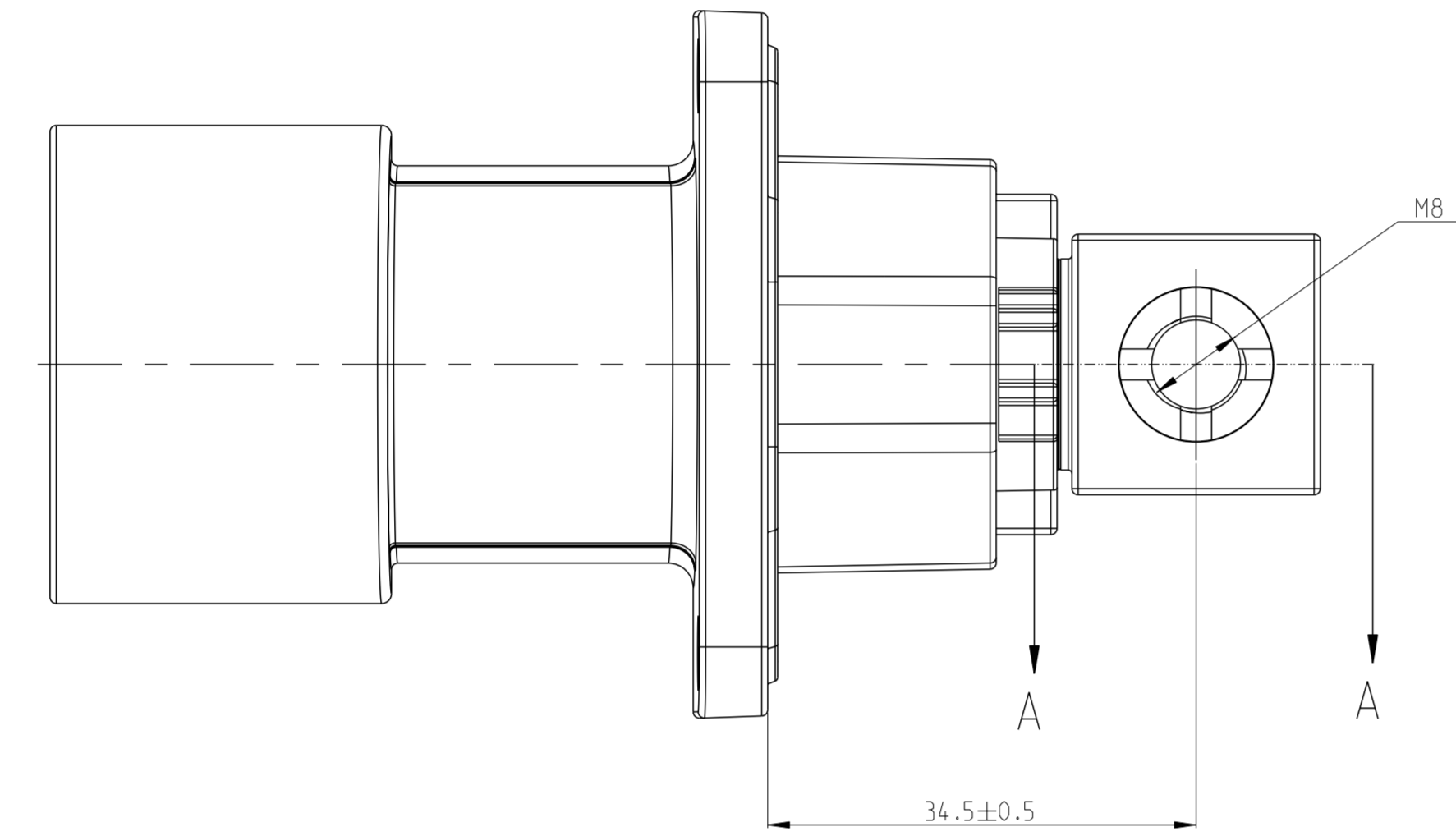


8--1 AS SHOWN

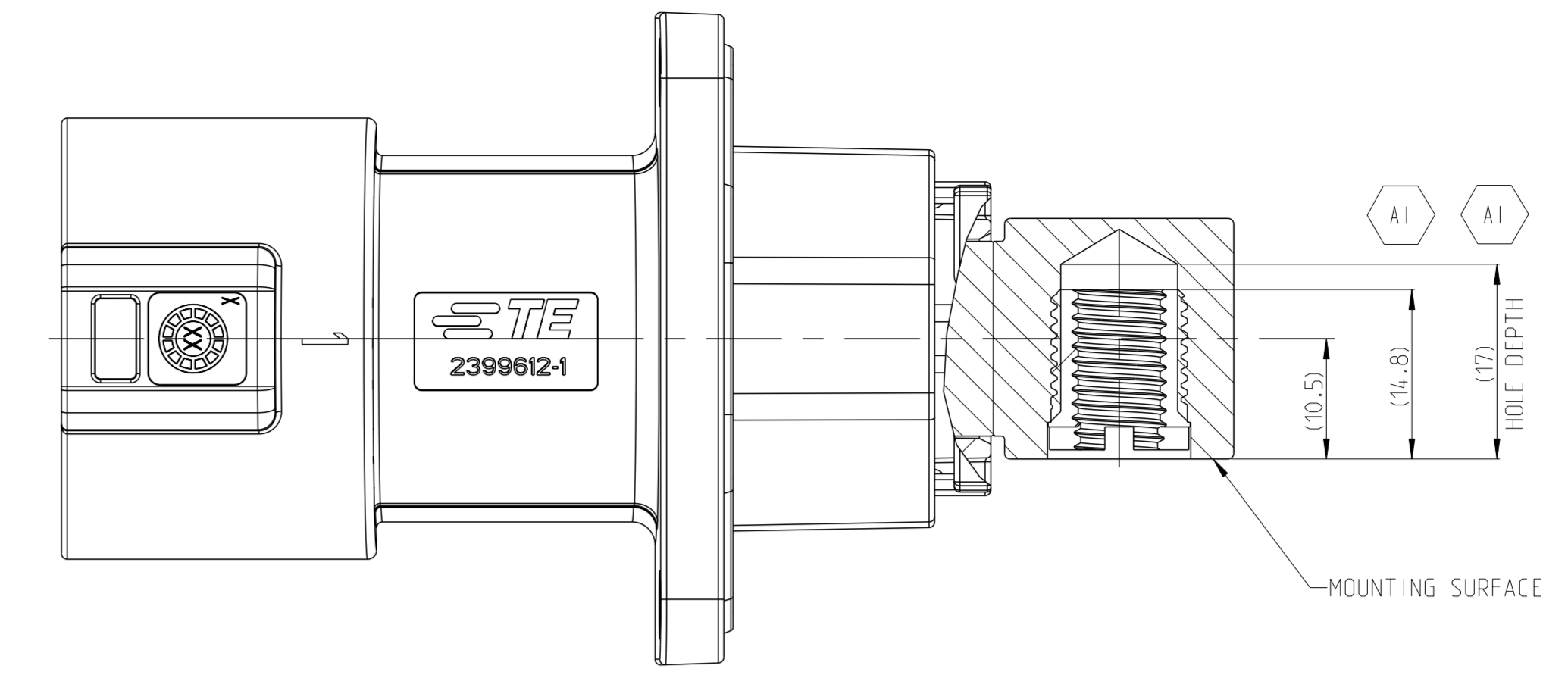
THIS DRAWING IS A CONTROLLED DOCUMENT.		REV	TAN	29DEC2021	DATE	29DEC2021	BY	LL	29DEC2021	NAME	1POS, PIN DIA 14.0 HDR ASSY, 180DEG HVP-HD1400	
DIMENSIONS:	UNITS:	SCALE:	APPROVAL:	OPERATION:	DESIGN:	PRODUCT SPEC:	108-160407	APPLICATION SPEC:	114-160222	WEIGHT:	SEE TABLE	
MATERIAL:	SEE TABLE	FINISH:	SPEC:	CUSTOMER DRAWING	SCALE:	2:1	SHEET:	1	OF:	5	REV:	A1



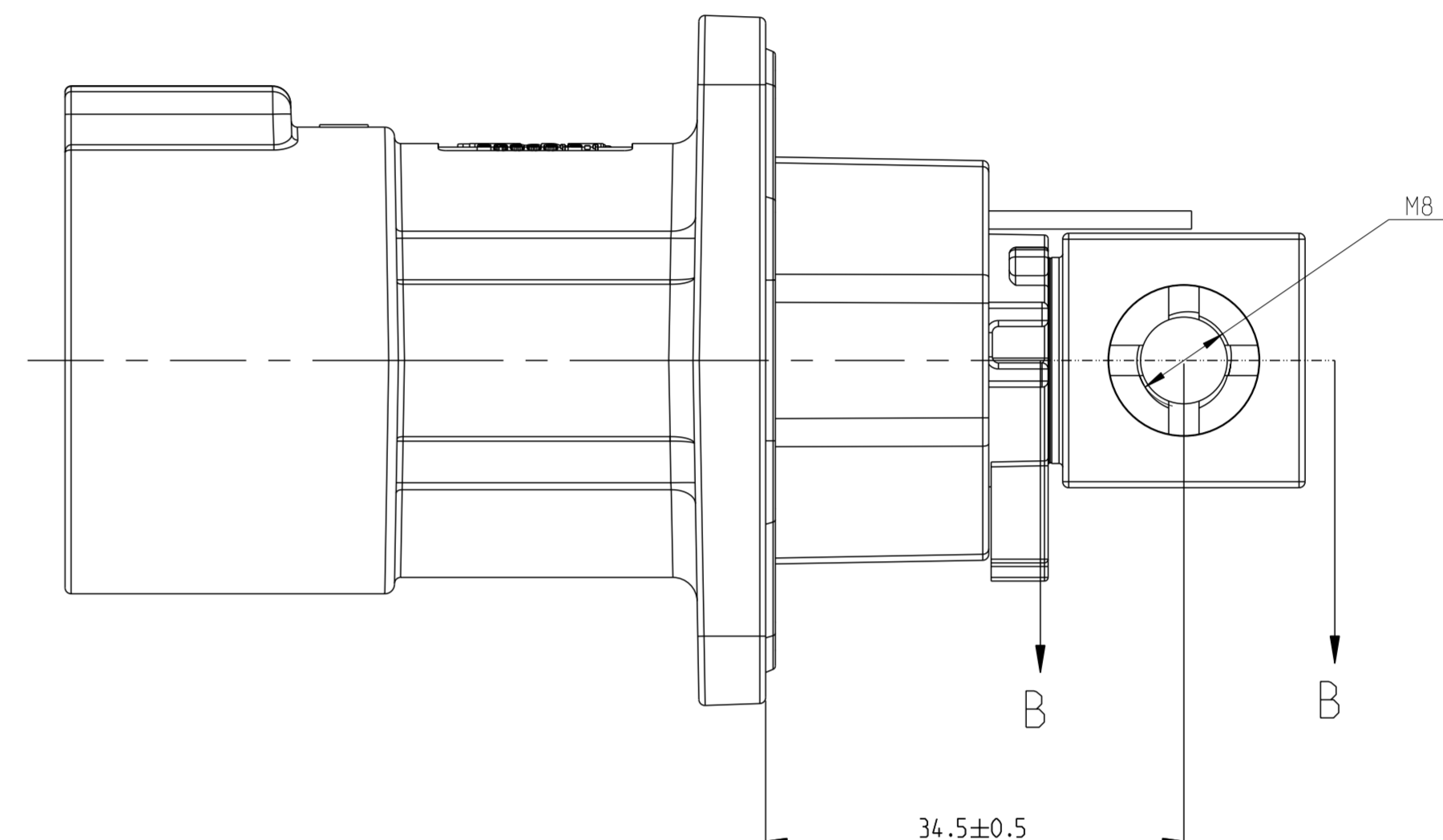
SECTION A-A



1. MISSING DIMENSIONS ACC. TO 8-2399606-1



SECTION B-B



1. MISSING DIMENSIONS ACC. TO 8-2399606-1

TE-ASSY-NO	CODE	DESCRIPTION	DESCRIPTION	CODE	MATERIAL	SURFACE COLOR	WEIGHT (g)	QTY	ITEM
1-2399606-3	M	1POS.PIN DIA 14.0 HDR ASSY.180DEG	CODE HOUSING FOLLOW 2399606-1	M	PA66-GF	AQUA RED	(245)	1	7
									1-6
1-2399606-2	L	1POS.PIN DIA 14.0 HDR ASSY.180DEG	CODE HOUSING FOLLOW 2399606-1	L	PA66-GF	AQUA BROWN	(245)	1	7
									1-6
1-2399606-1	K	1POS.PIN DIA 14.0 HDR ASSY.180DEG	CODE HOUSING FOLLOW 2399606-1	K	PA66-GF	AQUA GREEN	(245)	1	7
									1-6
2399606-9	J	1POS.PIN DIA 14.0 HDR ASSY.180DEG	CODE HOUSING FOLLOW 2399606-1	J	PA66-GF	ORANGE	(245)	1	7
									1-6
2399606-8	H	1POS.PIN DIA 14.0 HDR ASSY.180DEG	CODE HOUSING FOLLOW 2399606-1	H	PA66-GF	YELLOW	(245)	1	7
									1-6
2399606-7	G	1POS.PIN DIA 14.0 HDR ASSY.180DEG	CODE HOUSING FOLLOW 2399606-1	G	PA66-GF	RED	(245)	1	7
									1-6
2399606-6	F	1POS.PIN DIA 14.0 HDR ASSY.180DEG	CODE HOUSING FOLLOW 2399606-1	F	PA66-GF	BROWN	(245)	1	7
									1-6
2399606-5	E	1POS.PIN DIA 14.0 HDR ASSY.180DEG	CODE HOUSING FOLLOW 2399606-1	E	PA66-GF	GREEN	(245)	1	7
									1-6
2399606-4	D	1POS.PIN DIA 14.0 HDR ASSY.180DEG	CODE HOUSING FOLLOW 2399606-1	D	PA66-GF	PURPLE	(245)	1	7
									1-6
2399606-3	C	1POS.PIN DIA 14.0 HDR ASSY.180DEG	CODE HOUSING FOLLOW 2399606-1	C	PA66-GF	BLUE	(245)	1	7
									1-6
2399606-2	B	1POS.PIN DIA 14.0 HDR ASSY.180DEG	CODE HOUSING FOLLOW 2399606-1	B	PA66-GF	NATURE	(245)	1	7
									1-6
2399606-1	A	1POS.PIN DIA 14.0 HDR ASSY.180DEG	CODE HOUSING	A	PA66-GF	BLACK	(245)	1	7
			HV INTERLOCK CABLE	-	-	-		2	6
			FACE SEAL	-	SILICONE	RED		1	5
			BUSBAR, FRONT SIDE	-	-	-		1	4
			HEADER TPA	-	PA66-GF	RED		1	3
			FINGER PROTECTION CAP	-	PA66-GF	BLACK		1	2
			HEADER HOUSING 180DEG.1POS	-	AL-ALLOY	NICKEL PLATED		1	1

TE-ASSY-NO	CODE	DESCRIPTION	DESCRIPTION	CODE	MATERIAL	SURFACE COLOR	WEIGHT (g)	QTY	ITEM
3-2399606-3	M	1POS.PIN DIA 14.0 HDR ASSY.180DEG	CODE HOUSING FOLLOW 2-2399606-1	M	PA66-GF	AQUA RED	(245)	1	7
									1-6
3-2399606-2	L	1POS.PIN DIA 14.0 HDR ASSY.180DEG	CODE HOUSING FOLLOW 2-2399606-1	L	PA66-GF	AQUA BROWN	(245)	1	7
									1-6
3-2399606-1	K	1POS.PIN DIA 14.0 HDR ASSY.180DEG	CODE HOUSING FOLLOW 2-2399606-1	K	PA66-GF	AQUA GREEN	(245)	1	7
									1-6
2-2399606-9	J	1POS.PIN DIA 14.0 HDR ASSY.180DEG	CODE HOUSING FOLLOW 2-2399606-1	J	PA66-GF	ORANGE	(245)	1	7
									1-6
2-2399606-8	H	1POS.PIN DIA 14.0 HDR ASSY.180DEG	CODE HOUSING FOLLOW 2-2399606-1	H	PA66-GF	YELLOW	(245)	1	7
									1-6
2-2399606-7	G	1POS.PIN DIA 14.0 HDR ASSY.180DEG	CODE HOUSING FOLLOW 2-2399606-1	G	PA66-GF	RED	(245)	1	7
									1-6
2-2399606-6	F	1POS.PIN DIA 14.0 HDR ASSY.180DEG	CODE HOUSING FOLLOW 2-2399606-1	F	PA66-GF	BROWN	(245)	1	7
									1-6
2-2399606-5	E	1POS.PIN DIA 14.0 HDR ASSY.180DEG	CODE HOUSING FOLLOW 2-2399606-1	E	PA66-GF	GREEN	(245)	1	7
									1-6
2-2399606-4	D	1POS.PIN DIA 14.0 HDR ASSY.180DEG	CODE HOUSING FOLLOW 2-2399606-1	D	PA66-GF	PURPLE	(245)	1	7
									1-6
2-2399606-3	C	1POS.PIN DIA 14.0 HDR ASSY.180DEG	CODE HOUSING FOLLOW 2-2399606-1	C	PA66-GF	BLUE	(245)	1	7
									1-6
2-2399606-2	B	1POS.PIN DIA 14.0 HDR ASSY.180DEG	CODE HOUSING FOLLOW 2-2399606-1	B	PA66-GF	NATURE	(245)	1	7
									1-6
2-2399606-1	A	1POS.PIN DIA 14.0 HDR ASSY.180DEG	CODE HOUSING	A	PA66-GF	BLACK	(245)	1	7
			HV INTERLOCK CABLE	-	-	-		2	6
			FACE SEAL	-	SILICONE	RED		1	5
			BUSBAR, RIGHT SIDE	-	-	-		1	4
			HEADER TPA	-	PA66-GF	RED		1	3
			FINGER PROTECTION CAP	-	PA66-GF	BLACK		1	2
			HEADER HOUSING 180DEG.1POS	-	AL-ALLOY	NICKEL PLATED		1	1

THIS DRAWING IS A CONTROLLED DOCUMENT.

DATE: 29DEC2021

DESIGNER: S.TAN

CHECKED: L.L.

APPROVED: J.YIN

PRODUCT SPEC: 108-160407

APPLICATION SPEC: 114-160222

WEIGHT: SEE TABLE

CUSTOMER DRAWING

SCALE: 2:1

SHEET: 2 OF 5

REV: A1

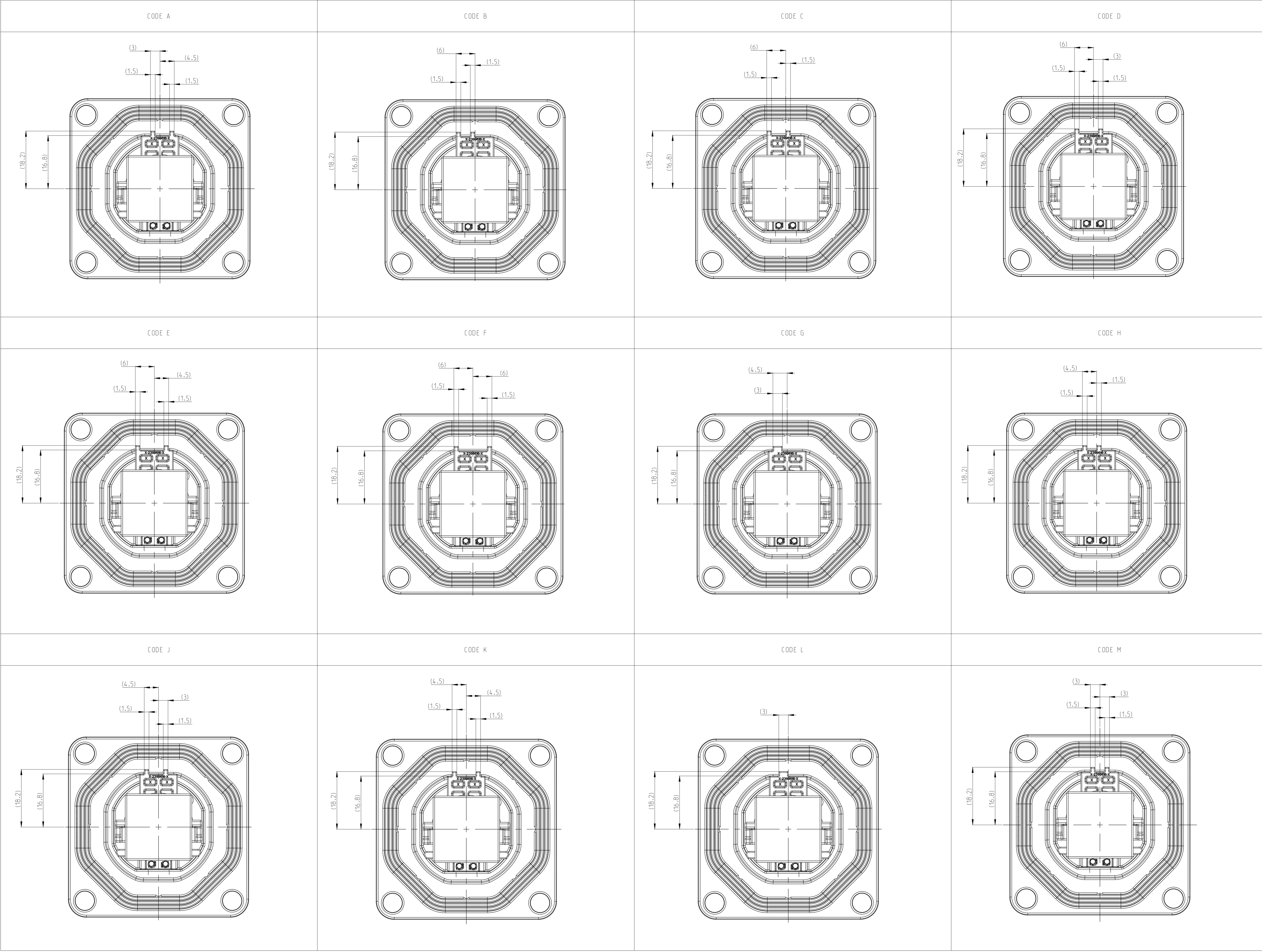
STE TE Connectivity

1POS.PIN DIA 14.0.HDR ASSY.180DEG HVP-HD14.00

00779 ©2399606

REVISIONS			
REV	DATE	BY	APPD
-	SEE SHEET 1	-	-

2



printed on 20 Apr 2022 09:33 C:\hp\pds\prod\Time from 1452079

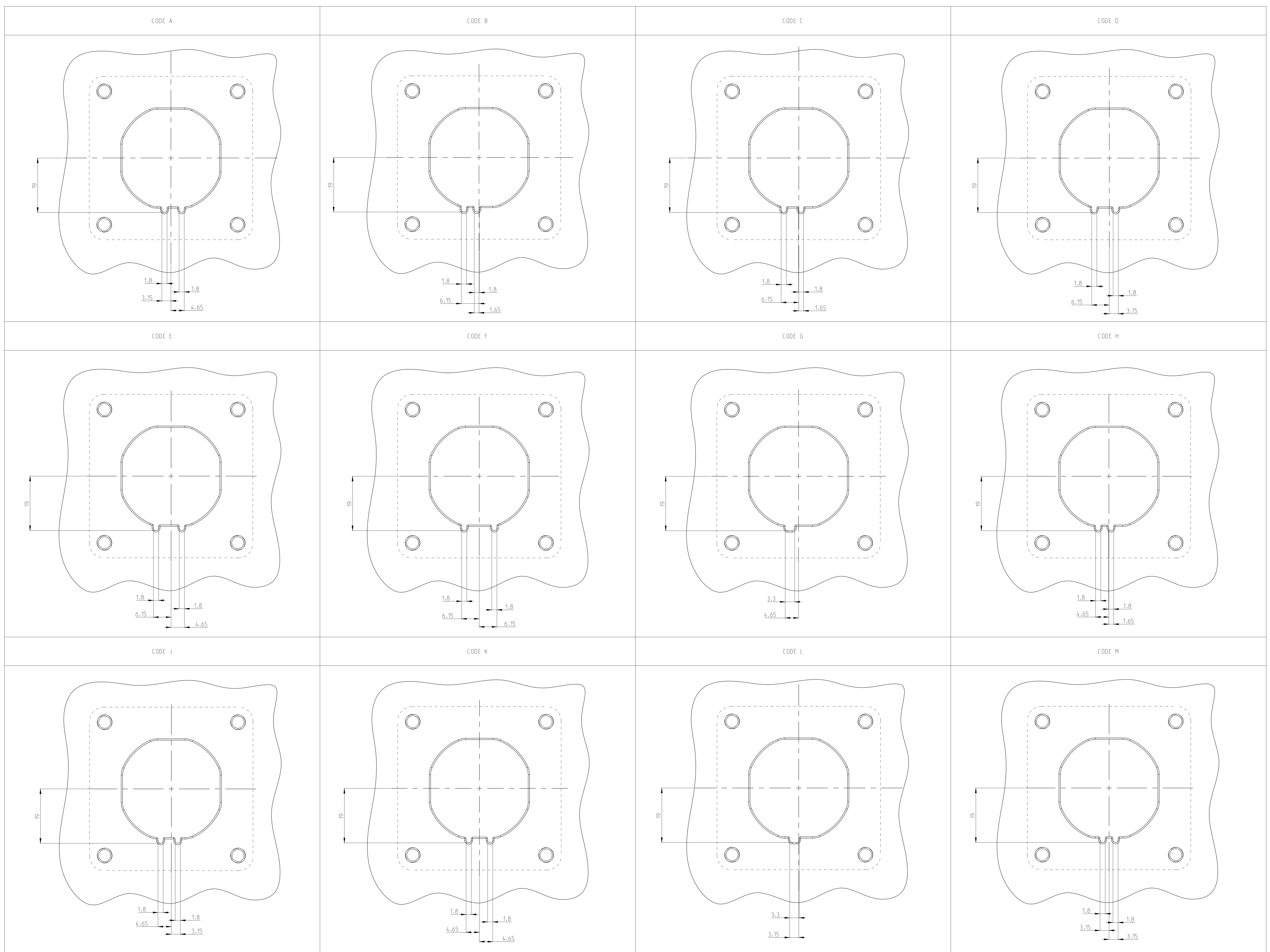
THIS DRAWING IS A CONTROLLED DOCUMENT.

DESIGNED BY: S.TAN	DATE: 29DEC2021	 TE Connectivity
CHECKED BY: L.L.	DATE: 29DEC2021	
APPROVED BY: J.YIN	DATE: 29DEC2021	

DIMENSIONS: UNITS: MM
 TOLERANCES UNLESS OTHERWISE SPECIFIED:
 1. DIM: ±0.5
 2. HOLE DIA: ±0.1
 3. HOLE DIA: ±0.05
 4. HOLE DIA: ±0.001
 5. HOLE DIA: ±0.001
 6. HOLE DIA: ±0.001
 7. HOLE DIA: ±0.001
 8. HOLE DIA: ±0.001
 9. HOLE DIA: ±0.001
 10. HOLE DIA: ±0.001
 11. HOLE DIA: ±0.001
 12. HOLE DIA: ±0.001
 13. HOLE DIA: ±0.001
 14. HOLE DIA: ±0.001
 15. HOLE DIA: ±0.001
 16. HOLE DIA: ±0.001
 17. HOLE DIA: ±0.001
 18. HOLE DIA: ±0.001
 19. HOLE DIA: ±0.001
 20. HOLE DIA: ±0.001
 21. HOLE DIA: ±0.001
 22. HOLE DIA: ±0.001
 23. HOLE DIA: ±0.001
 24. HOLE DIA: ±0.001
 25. HOLE DIA: ±0.001
 26. HOLE DIA: ±0.001
 27. HOLE DIA: ±0.001
 28. HOLE DIA: ±0.001
 29. HOLE DIA: ±0.001
 30. HOLE DIA: ±0.001
 31. HOLE DIA: ±0.001
 32. HOLE DIA: ±0.001
 33. HOLE DIA: ±0.001
 34. HOLE DIA: ±0.001
 35. HOLE DIA: ±0.001
 36. HOLE DIA: ±0.001
 37. HOLE DIA: ±0.001
 38. HOLE DIA: ±0.001
 39. HOLE DIA: ±0.001
 40. HOLE DIA: ±0.001
 41. HOLE DIA: ±0.001
 42. HOLE DIA: ±0.001
 43. HOLE DIA: ±0.001
 44. HOLE DIA: ±0.001
 45. HOLE DIA: ±0.001
 46. HOLE DIA: ±0.001
 47. HOLE DIA: ±0.001
 48. HOLE DIA: ±0.001
 49. HOLE DIA: ±0.001
 50. HOLE DIA: ±0.001
 51. HOLE DIA: ±0.001
 52. HOLE DIA: ±0.001
 53. HOLE DIA: ±0.001
 54. HOLE DIA: ±0.001
 55. HOLE DIA: ±0.001
 56. HOLE DIA: ±0.001
 57. HOLE DIA: ±0.001
 58. HOLE DIA: ±0.001
 59. HOLE DIA: ±0.001
 60. HOLE DIA: ±0.001
 61. HOLE DIA: ±0.001
 62. HOLE DIA: ±0.001
 63. HOLE DIA: ±0.001
 64. HOLE DIA: ±0.001
 65. HOLE DIA: ±0.001
 66. HOLE DIA: ±0.001
 67. HOLE DIA: ±0.001
 68. HOLE DIA: ±0.001
 69. HOLE DIA: ±0.001
 70. HOLE DIA: ±0.001
 71. HOLE DIA: ±0.001
 72. HOLE DIA: ±0.001
 73. HOLE DIA: ±0.001
 74. HOLE DIA: ±0.001
 75. HOLE DIA: ±0.001
 76. HOLE DIA: ±0.001
 77. HOLE DIA: ±0.001
 78. HOLE DIA: ±0.001
 79. HOLE DIA: ±0.001
 80. HOLE DIA: ±0.001
 81. HOLE DIA: ±0.001
 82. HOLE DIA: ±0.001
 83. HOLE DIA: ±0.001
 84. HOLE DIA: ±0.001
 85. HOLE DIA: ±0.001
 86. HOLE DIA: ±0.001
 87. HOLE DIA: ±0.001
 88. HOLE DIA: ±0.001
 89. HOLE DIA: ±0.001
 90. HOLE DIA: ±0.001
 91. HOLE DIA: ±0.001
 92. HOLE DIA: ±0.001
 93. HOLE DIA: ±0.001
 94. HOLE DIA: ±0.001
 95. HOLE DIA: ±0.001
 96. HOLE DIA: ±0.001
 97. HOLE DIA: ±0.001
 98. HOLE DIA: ±0.001
 99. HOLE DIA: ±0.001
 100. HOLE DIA: ±0.001

NAME: 1POS. PIN DIA 14.0.HDR ASSY.180DEG
 HVP-HD14.00
 PRODUCT SPEC: 108-1604.07
 APPLICATION SPEC: 114-160222
 WEIGHT: SEE TABLE
 FINISH: SPEC 2
 CUSTOMER DRAWING
 SCALE: 2:1
 SHEET 4 OF 5
 REV: A1

REVISIONS			
REV	DATE	DESCRIPTION	BY
-	-	SEE SHEET 1	-



THIS DRAWING IS A CONTROLLED DOCUMENT.		DATE: 29DEC2021	REV: 1	 TE Connectivity	NAME: 1POS. PIN DIA 14.0.HDR ASSY.180DEG HVP-HD14.00
DESIGNED BY: S.TAN	CHECKED BY: L.L.	DATE: 29DEC2021	REV: 1		
DRAWN BY: S.TAN	OPERATION SPEC: S.TAN	DATE: 29DEC2021	REV: 1	PRODUCT SPEC: 108-160407	SIZE: A0
DATE: 29DEC2021	APPROVED BY: S.TAN	DATE: 29DEC2021	REV: 1	APPLICATION SPEC: 114-160222	CASE CODE: 00779
MATERIAL: SEE TABLE	FINISH: SPEC 2	WEIGHT: SEE TABLE	CUSTOMER DRAWING	SCALE: 2:1	SHEET 5 OF 5

X-ON Electronics

Largest Supplier of Electrical and Electronic Components

Click to view similar products for [Headers & Wire Housings](#) category:

Click to view products by [TE Connectivity](#) manufacturer:

Other Similar products are found below :

[892-18-020-10-001101](#) [0010894062](#) [0010977306](#) [0015477636](#) [0015917161](#) [0022104068](#) [0022121042](#) [0022155065](#) [0022281023](#) [57102-F02-18ULF](#) [58102-G61-06LF](#) [582553-1](#) [0015911208](#) [01.001.5753.1](#) [0022285048](#) [0050291907](#) [02.125.8002.8](#) [CSU011177004](#) [622-0430](#) [622-3653LF](#) [63453-116](#) [636-1030](#) [636-1427](#) [636-3427](#) [636-4007](#) [641938-9](#) [65495-038](#) [65692-001LF](#) [65781-018](#) [65781-047](#) [65817-010LF](#) [65817-015LF](#) [67095-007LF](#) [67601157](#) [68631-112](#) [68645-018](#) [699319-000](#) [70.362.1628.0](#) [70-4210](#) [70-4226B](#) [70-4853B](#) [707-5028](#) [71.350.2428.0](#) [733-134](#) [733-162](#) [760-3052](#) [MHR-64-VUAL](#) [80.063.4001.1](#) [800-90-001-10-001000](#) [801-43-002-10-013000](#)