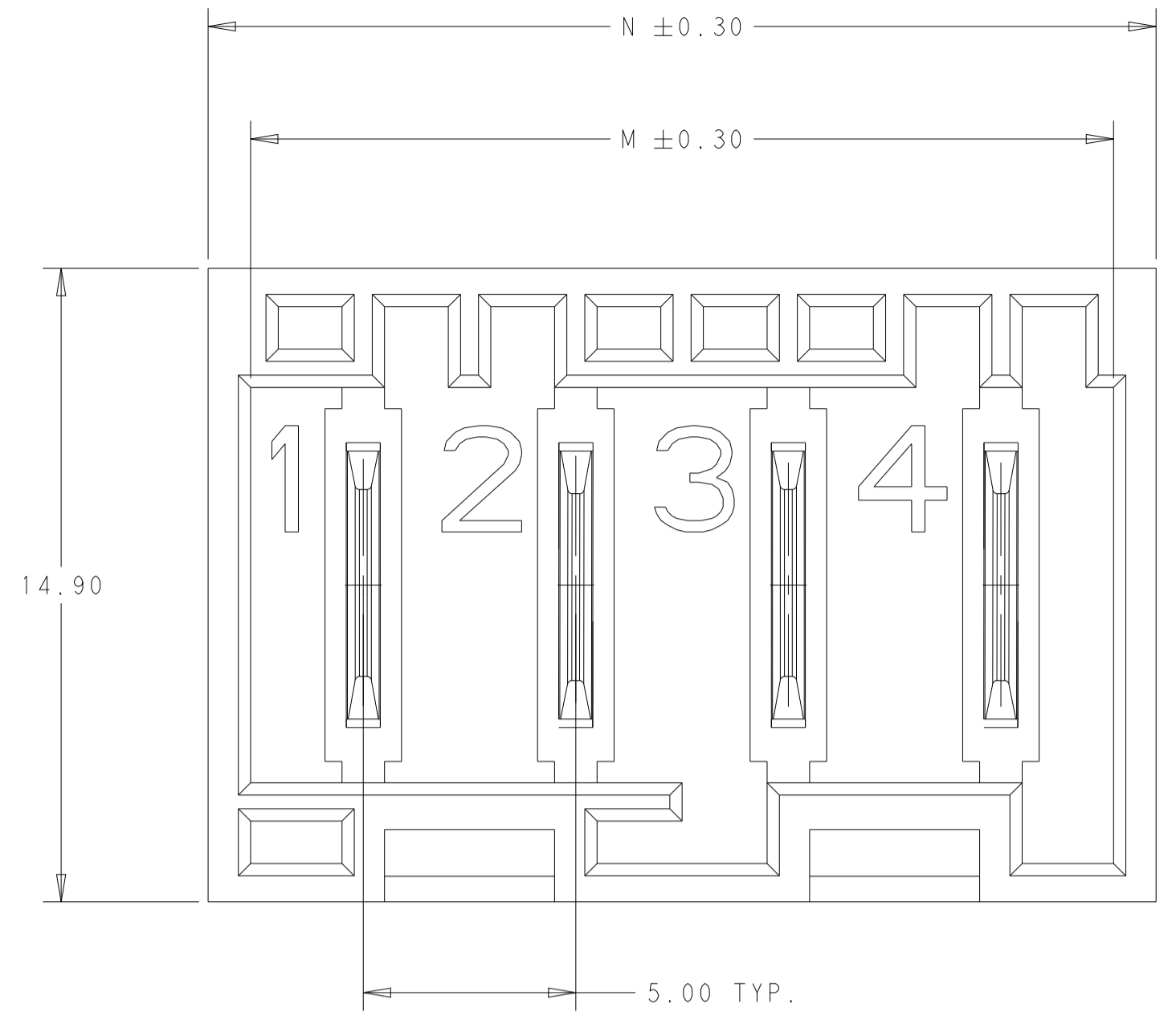
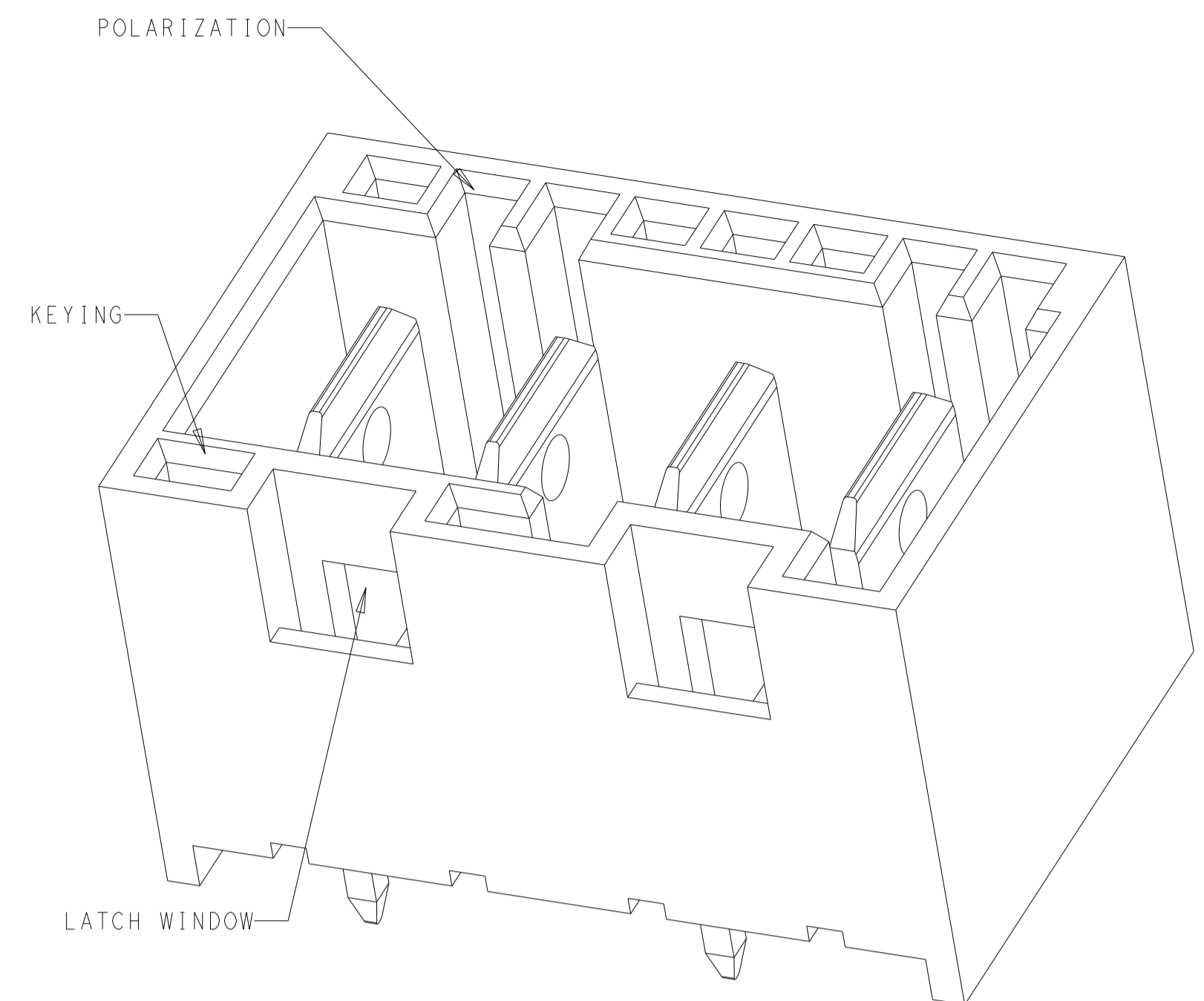
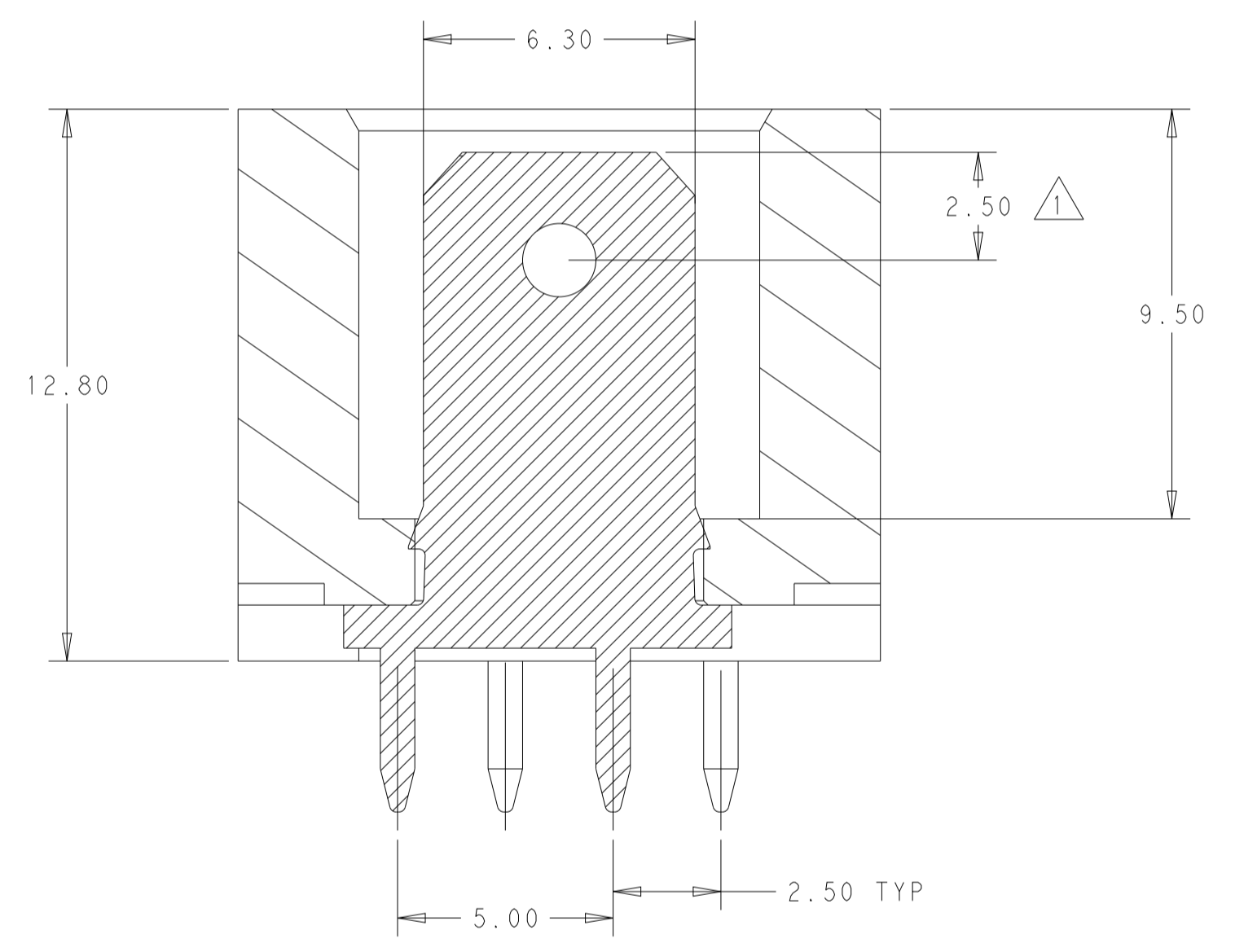
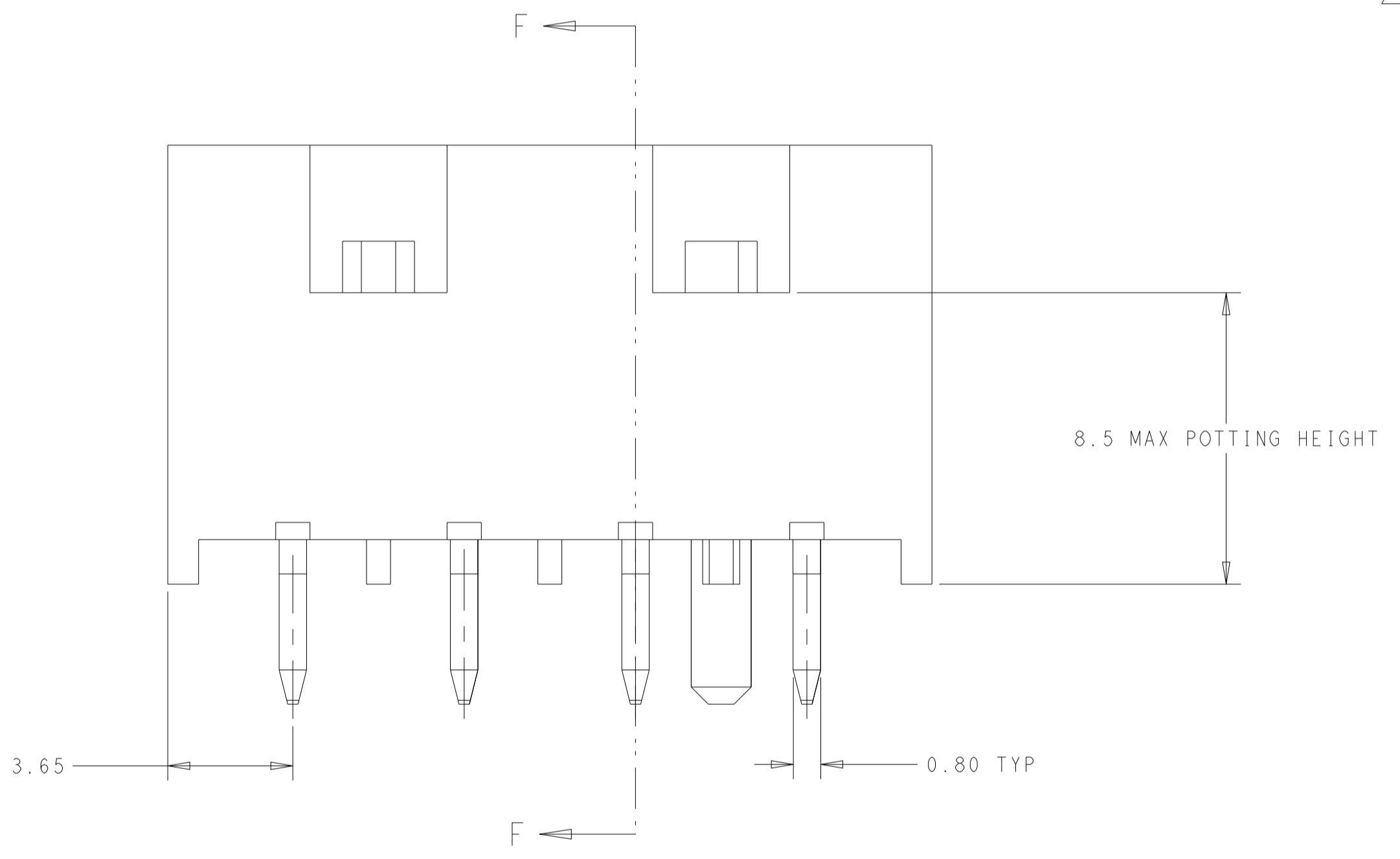
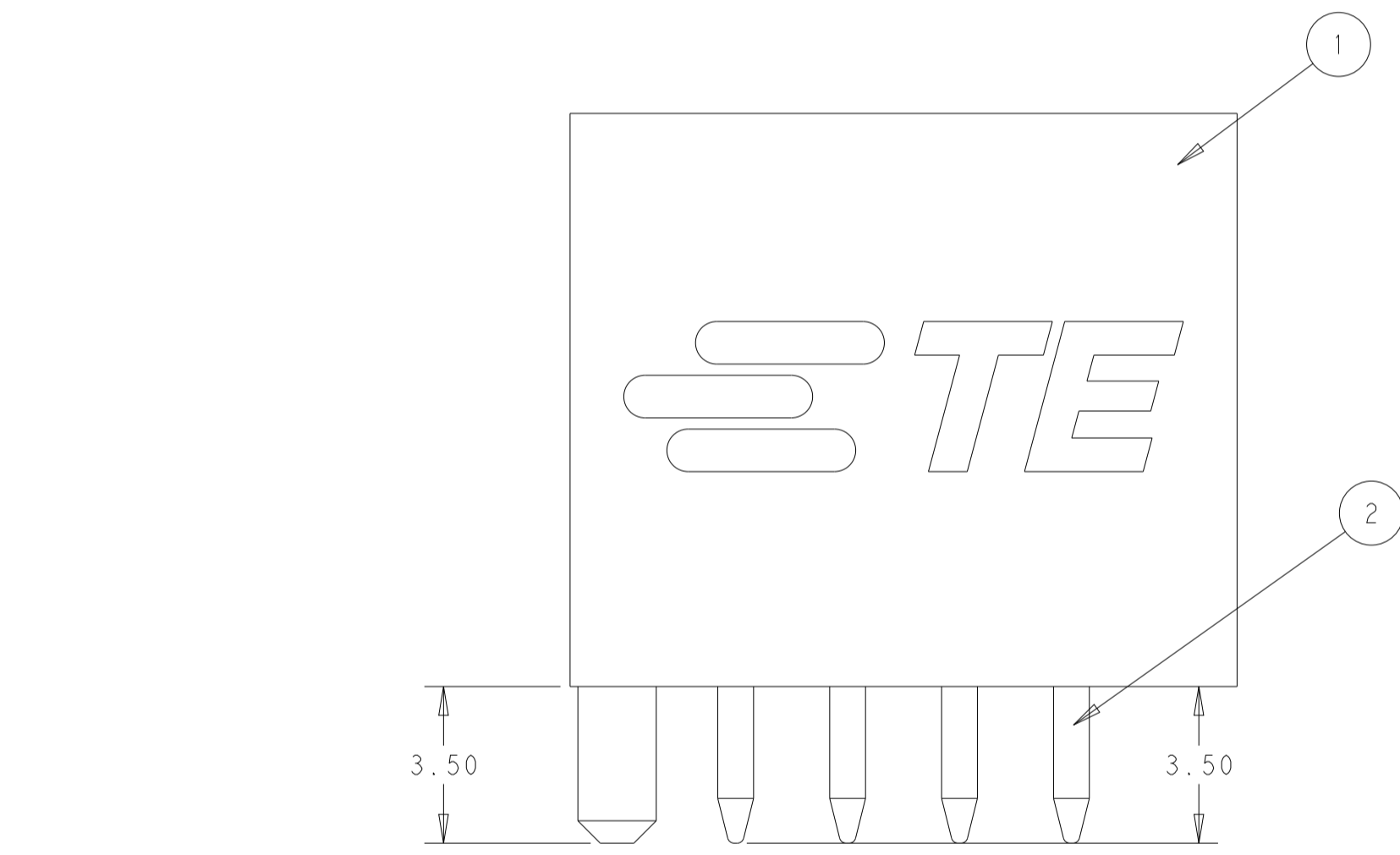


REVISIONS				
P	LTM	DESCRIPTION	DATE	APVD
B	ECR-21-100869		31MAR2021	PJ FL
B1	ECR-21-105673		06JUL2021	LZ FL
B2	ECR-21-118862		10NOV2021	SM FL
B3	ECR-23-197565		10FEB2023	TL FL

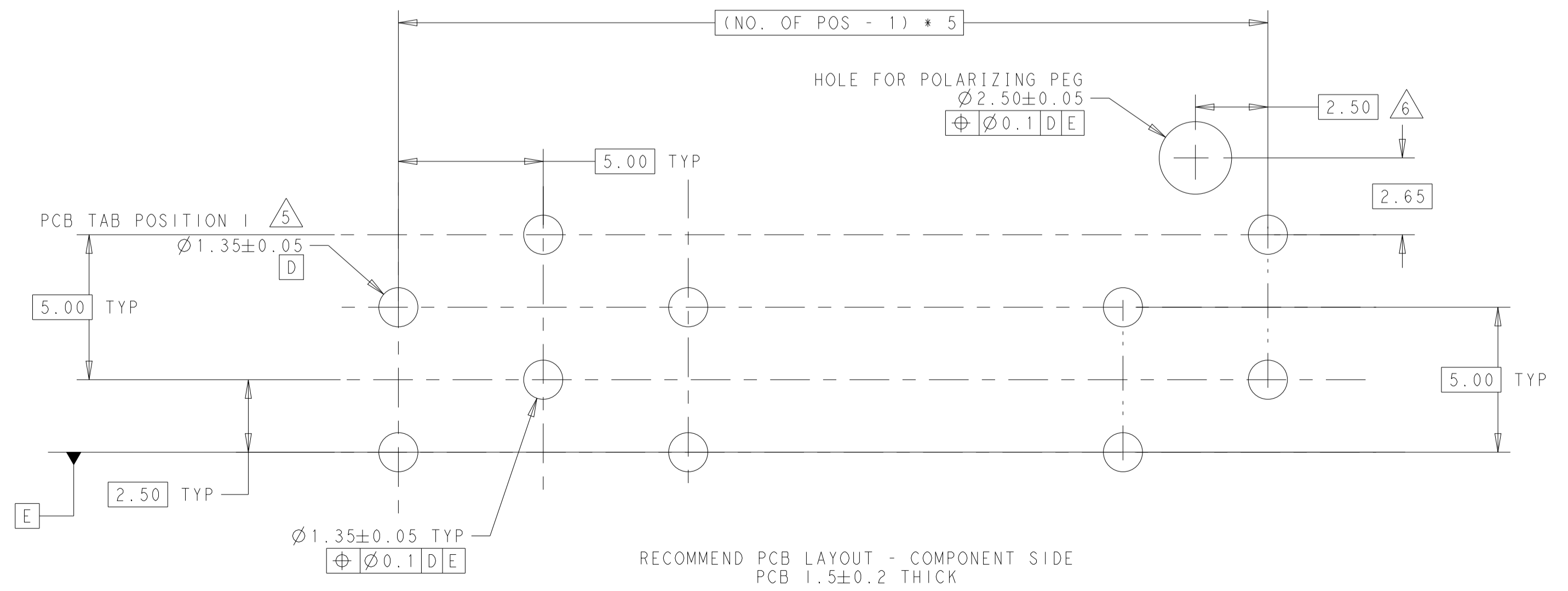


NOTES:

- △ HOUSING HAS RAST 5 COMPLIANT KEYING, LATCHING, AND POLARIZATION TAB IS 6.30 X 0.8, HOWEVER THE LOCATION OF THE TAB HOLE DOES NOT MEET DIN 46244
- 2 SEE SHEET 2 FOR AVAILABLE CONFIGURATIONS
- 3 MATERIAL: HOUSING, NYLON, UL94 V0, 750°C GWT NO FLAME
CONTACT: COPPER ALLOY, 0.8MM THICK
- 4 FINISH: CONTACTS, MATTE TIN PLATING OVERALL, NICKEL UNDER-PLATING
- △ PCB TABS INSERTED IN A STAGGERED PATTERN BEGINNING WITH POSITION 1
- △ DIMENSION OFF OF LAST POSITION REGARDLESS OF EVEN OR ODD POSITION HEADER
- 7 PACKAGING: LOOSE PIECE
- △ PRELIMINARY PART - NOT RELEASED FOR PRODUCTION
- △ TOOL MARK ON TERMINAL SURFACE IS ACCEPTABLE WHICH DOES NOT IMPACT FUNCTION



SECTION F-F



20.30	22.30	4
15.30	17.30	3
10.30	12.30	2
M	N	NO. OF POS.

THIS DRAWING IS A CONTROLLED DOCUMENT.

OWN: BASAVARAJA D A 21MAY2018
 CHK: WANG, WINTER 21MAY2018
 APVD: WANG, WINTER 21MAY2018

NAME: RAST 5 HDR ASSY, POSITIVE-LOCK SHROUDED, VERTICAL, OPPOSITE

PRODUCT SPEC: 108-106080
 APPLICATION SPEC: -

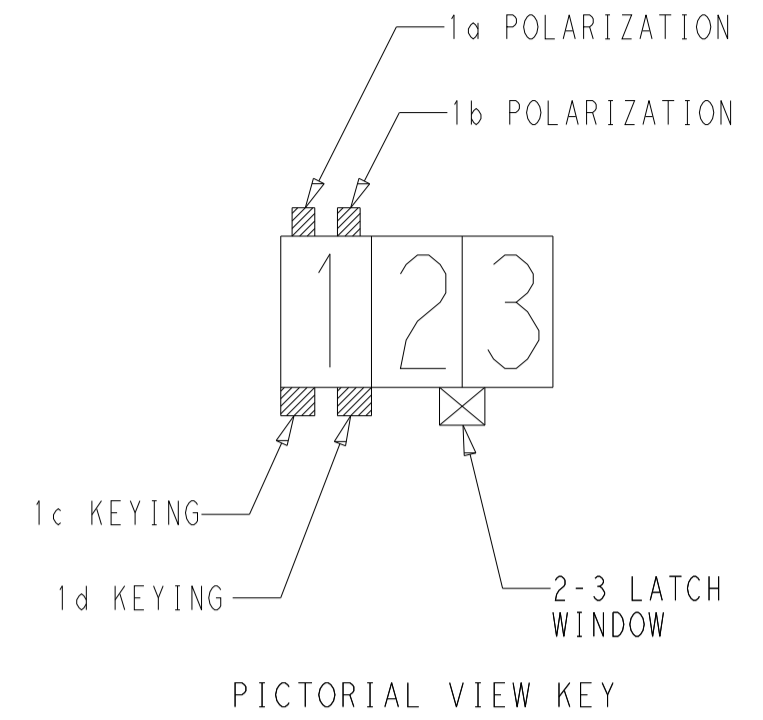
SIZE: A1
 CAGE CODE: -
 DRAWING NO: C=2337101
 RESTRICTED TO: -

MATERIAL: SEE NOTES
 FINISH: SEE NOTES
 WEIGHT: -
 CUSTOMER DRAWING

SCALE: 7:1
 SHEET: 1 OF 2
 REV: B3

THIS DRAWING IS UNPUBLISHED. RELEASED FOR PUBLICATION 20
 © COPYRIGHT 20 BY - ALL RIGHTS RESERVED.

REVISIONS				
P	LTN	DESCRIPTION	DATE	APVD
-		SEE SHEET 1	-	-



	NATURAL	2	POSITIVE-LOCK TAB CONTACT WITH MATTE TIN-PLATING	1	RAST 5 TAB HEADER HOUSING	2	2337101-2	2390869-2
LAYOUT	COLOR	QTY	TAB CONTACT (2)	QTY	HEADER HOUSING (1)	NO. OF POS	RESIN A	RESIN B
							TE PART NO.	

THIS DRAWING IS A CONTROLLED DOCUMENT.

DIMENSIONS: mm	TOLERANCES UNLESS OTHERWISE SPECIFIED:	0 PLC ±	1 PLC ±	2 PLC ±0.25	3 PLC ±	4 PLC ±	ANGLES ±3°	FINISH
MATERIAL: SEE NOTES	SEE NOTES	DWG: BASAVARAJA D A 21MAY2018		CHK: WANG, WINTIE 21MAY2018		APVD: WANG, WINTIE 21MAY2018		NAME: RAST 5 HDR ASSY, POSITIVE-LOCK SHROUDED, VERTICAL
		PRODUCT SPEC: 108-106080		APPLICATION SPEC:		SIZE: A1	CAGE CODE: -	DRAWING NO: C=2337101
		WEIGHT: -		CUSTOMER DRAWING		SCALE: 8:1	SHEET: 2 OF 2	REV: B3

4805 (3/13)

X-ON Electronics

Largest Supplier of Electrical and Electronic Components

Click to view similar products for [Headers & Wire Housings](#) category:

Click to view products by [TE Connectivity](#) manufacturer:

Other Similar products are found below :

[892-18-020-10-001101](#) [0010894062](#) [0010977306](#) [0015477636](#) [0015917161](#) [0022104068](#) [0022121042](#) [0022155065](#) [0022281023](#) [57102-F02-18ULF](#) [58102-G61-06LF](#) [582553-1](#) [0015911208](#) [01.001.5753.1](#) [0022285048](#) [0050291907](#) [02.125.8002.8](#) [CSU011177004](#) [622-0430](#) [622-3653LF](#) [63453-116](#) [636-1030](#) [636-1427](#) [636-3427](#) [636-4007](#) [641938-9](#) [65495-038](#) [65692-001LF](#) [65781-018](#) [65781-047](#) [65817-010LF](#) [65817-015LF](#) [67095-007LF](#) [67601157](#) [68631-112](#) [68645-018](#) [699319-000](#) [70.362.1628.0](#) [70-4210](#) [70-4226B](#) [70-4853B](#) [707-5028](#) [71.350.2428.0](#) [733-134](#) [733-162](#) [760-3052](#) [MHR-64-VUAL](#) [80.063.4001.1](#) [800-90-001-10-001000](#) [801-43-002-10-013000](#)