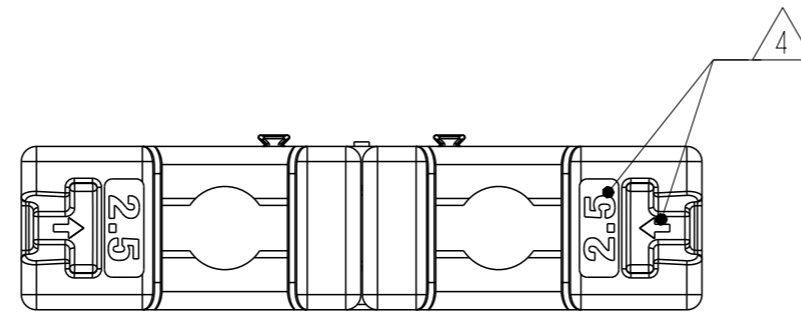
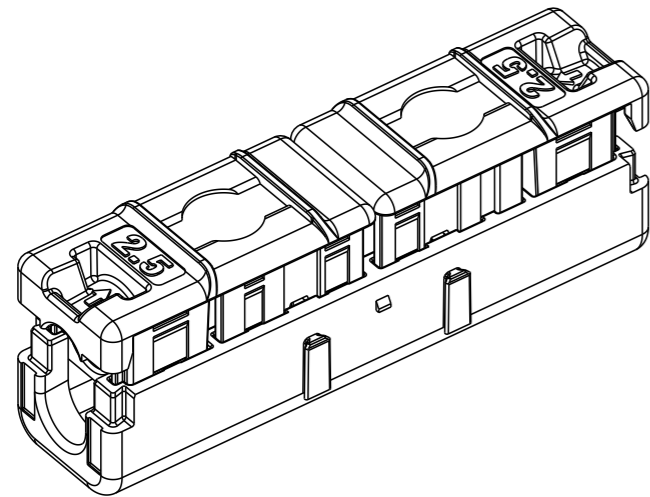
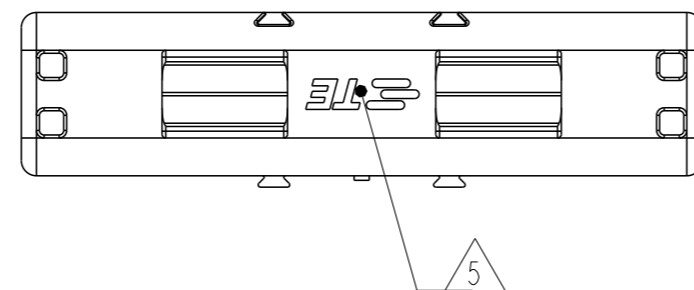
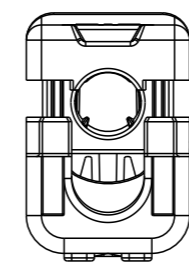
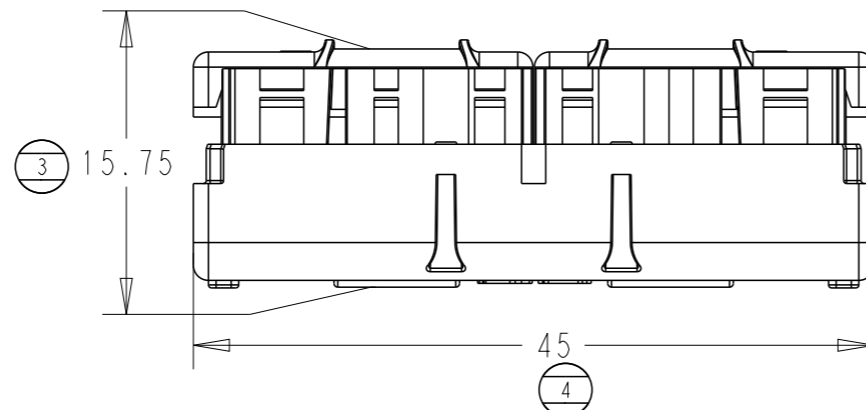
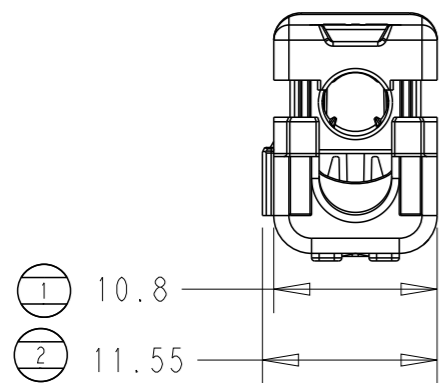


P	LTR	DESCRIPTION	DATE	DWN	APVD
	A	RELEASE FOR PRODUCTION	20DEC2023	LZ	EW



NOTES;

- 2378100-1 AS SHOWN;
- MATERIALS:
CONTACT: CUNISI, TIN PLATED
BASE HOUSING&BUTTONS: PC
- MATERIAL GRADE:
UL94 V-0, UL746C F1.
PRODUCT GRADE:
GWT750 FOR PLASTIC HOUSING, IPX7.
- WIRE RANGE MARK
WIRE INSERTION DIRECTION MARK
- TE LOGO
- NEED USE THE SPECIAL HANDTOOL FOR CRIMPING,
HANDTOOL PN:2403668-1
- A SMALL AMOUNT OF GEL SPILLAGE AFTER CRIMPING
IS ALLOWED.
- INSTRUCTION SHEET: 408-106569, 408-160082



3	1.5/0.75mm ²	BLUE	CLEAR	2378100-3
3	1.5mm ²	ORANGE	CLEAR	2378100-2
3	2.5mm ²	RED	CLEAR	2378100-1
PRODUCT GRADE	WIRE RANGE	BUTTON COLOR	BASE HOUSING COLOR	PART NUMBER

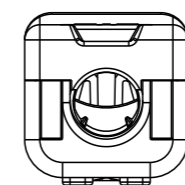
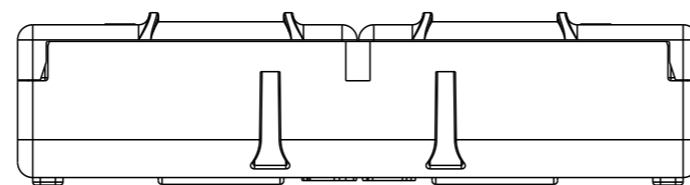
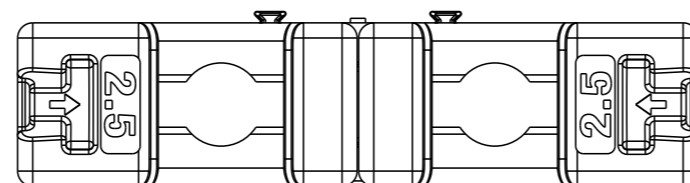
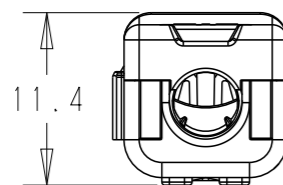
THIS DRAWING IS A CONTROLLED DOCUMENT.		DWN LEON ZOU 26-Jan-21														
DIMENSIONS: mm		CHK DAISY LI 26-Jan-21														
TOLERANCES UNLESS OTHERWISE SPECIFIED:		APVD ERIC WANG 26-Jan-21														
<table border="1"> <tr> <td>0 PLC</td> <td>± .5</td> </tr> <tr> <td>1 PLC</td> <td>± .5</td> </tr> <tr> <td>2 PLC</td> <td>± .13</td> </tr> <tr> <td>3 PLC</td> <td>± .013</td> </tr> <tr> <td>4 PLC</td> <td>± .0001</td> </tr> <tr> <td>ANGLES</td> <td>± -</td> </tr> </table>		0 PLC	± .5	1 PLC	± .5	2 PLC	± .13	3 PLC	± .013	4 PLC	± .0001	ANGLES	± -	PRODUCT SPEC 108-106569	NAME COMPACT SEAL SPLICE	
0 PLC	± .5															
1 PLC	± .5															
2 PLC	± .13															
3 PLC	± .013															
4 PLC	± .0001															
ANGLES	± -															
MATERIAL		APPLICATION SPEC 114-106569	SIZE A3	CAGE CODE 00779	DRAWING NO 2378100	RESTRICTED TO										
FINISH		WEIGHT	SCALE 2:1		SHEET 1 OF 3	REV A										
		CUSTOMER DRAWING														

REVISIONS

P	LTR	DESCRIPTION	DATE	DWN	APVD
		SEE SHEET 1			

DIMENSIONS AFTER APPLICATION(WITHOUT WIRE)

NOTES;
1. 2378100-1 AS SHOWN;



THIS DRAWING IS A CONTROLLED DOCUMENT.

DIMENSIONS: mm	TOLERANCES UNLESS OTHERWISE SPECIFIED:
	0 PLC ± .5
	1 PLC ± .5
	2 PLC ± .13
	3 PLC ± .013
	4 PLC ± .0001
	ANGLES ± -
MATERIAL	FINISH
-	-
-	-

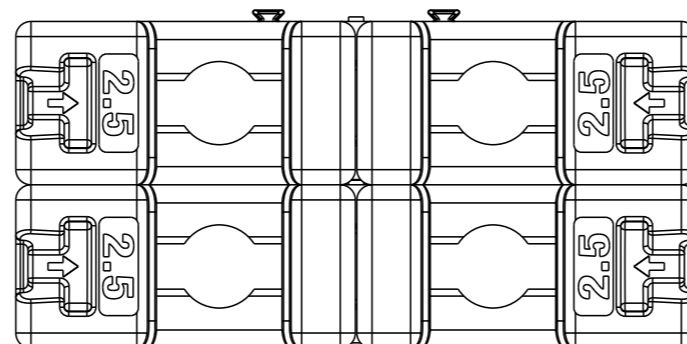
DWN	LEON ZOU	26-Jan-21
CHK	DAISY LI	26-Jan-21
APVD	ERIC WANG	26-Jan-21
PRODUCT SPEC	108-106569	
APPLICATION SPEC	114-106569	
WEIGHT	-	
CUSTOMER DRAWING		

NAME COMPACT SEAL SPLICE			
SIZE	CAGE CODE	DRAWING NO	RESTRICTED TO
A3	00779	2378100	-
SCALE		SHEET	REV
2:1		2 OF 3	A

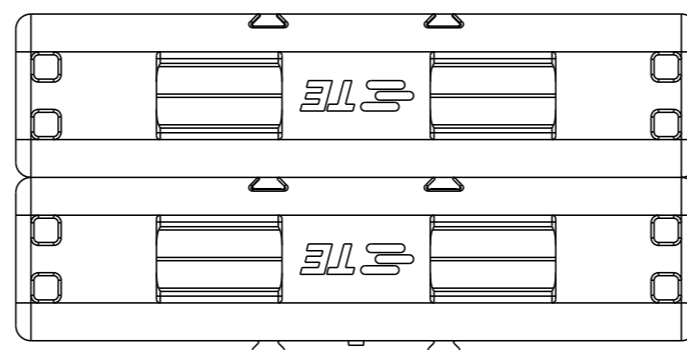
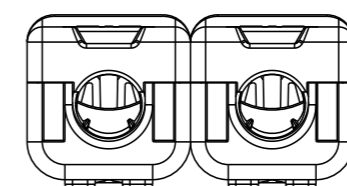
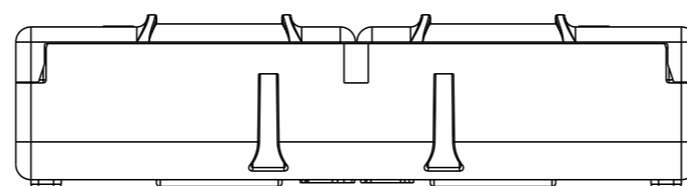
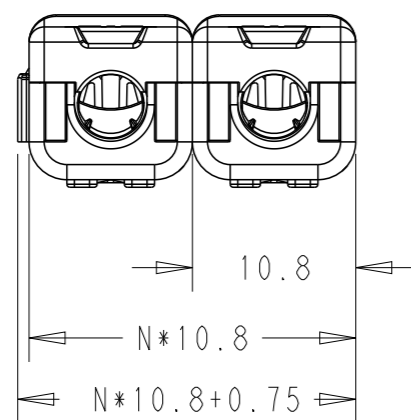
REVISIONS

P	LTR	DESCRIPTION	DATE	DWN	APVD
		SEE SHEET 1			

DIMENSIONS AFTER STACKING(WITHOUT WIRE)



NOTES;
1. 2378100-1 AS SHOWN;



THIS DRAWING IS A CONTROLLED DOCUMENT.

DIMENSIONS: mm	TOLERANCES UNLESS OTHERWISE SPECIFIED:
	0 PLC ± .5
	1 PLC ± .5
	2 PLC ± .13
	3 PLC ± .013
	4 PLC ± .0001
	ANGLES ± -
MATERIAL	FINISH
-	-
-	-

DWN	LEON ZOU	26-Jan-21
CHK	DAISY LI	26-Jan-21
APVD	ERIC WANG	26-Jan-21
PRODUCT SPEC	108-106569	
APPLICATION SPEC	114-106569	
WEIGHT	-	
CUSTOMER DRAWING		

		TE Connectivity	
		NAME COMPACT SEAL SPLICE	
SIZE	CAGE CODE	DRAWING NO	RESTRICTED TO
A3	00779	2378100	-
SCALE		SHEET	REV
2:1		3 OF 3	A

X-ON Electronics

Largest Supplier of Electrical and Electronic Components

Click to view similar products for [Terminals](#) category:

Click to view products by [TE Connectivity](#) manufacturer:

Other Similar products are found below :

[00-054007-01074-6](#) [00-054007-70206-1](#) [00-054007-70210-8](#) [00-054007-70217-7](#) [00-054007-70228-3](#) [00-054007-70256-6](#) [00-054007-70316-7](#) [00-054007-49560-4](#) [00-054007-70209-2](#) [00-054007-70231-3](#) [00-054007-70241-2](#) [00-054007-70242-9](#) [00-054007-70246-7](#) [00-054007-70263-4](#) [00-054007-70288-7](#) [00-054007-70290-0](#) [00-054007-70300-6](#) [00-054007-70304-4](#) [01-2900-1-04412](#) [0190160084](#) [0190350008](#) [600TS-10](#) [605601-1](#) [60617-1-C](#) [61314-6-C](#) [626-0194](#) [63-S](#) [M55155/079C01](#) [M55155/099B03](#) [M55155/109H01](#) [M55155/12XH05](#) [M55155/29XJ08](#) [M55155/30-6S](#) [M55155/30-9S](#) [M55155/30XI09](#) [M6-14RSX](#) [696861-1](#) [696999-1](#) [M86700006](#) [D18-110B-C](#) [D18-110B-M](#) [701-1936](#) [701-1955](#) [701-2003](#) [701-2007](#) [701-2013](#) [701-2018](#) [701-2069](#) [701-2077-60](#) [701-2315](#)