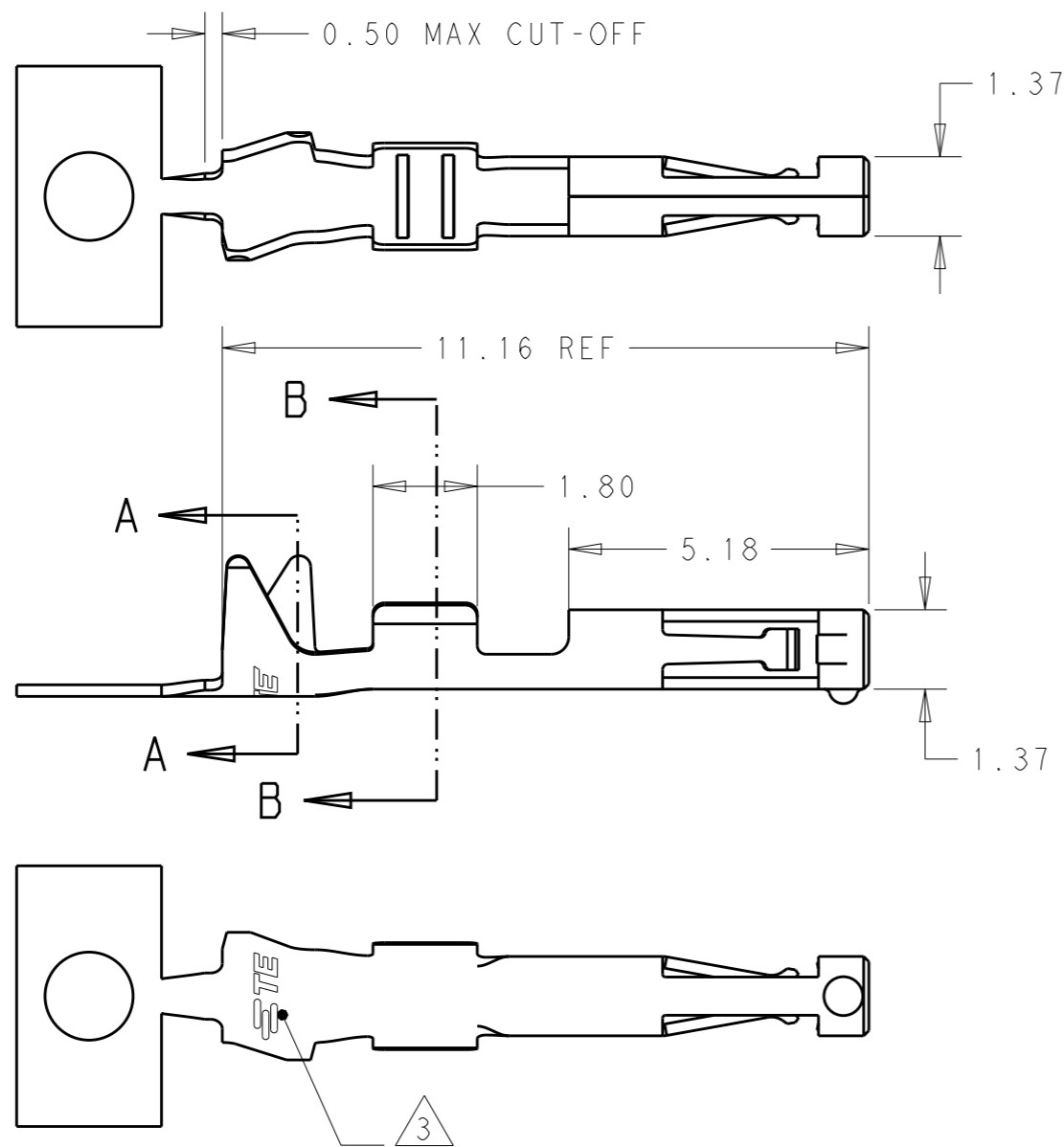
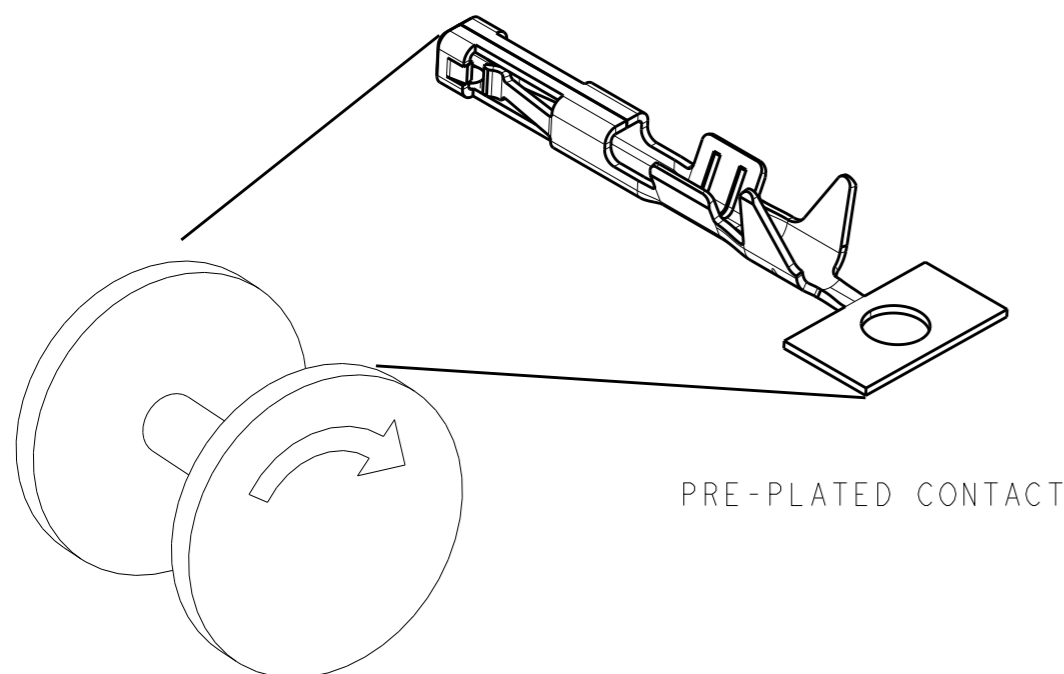
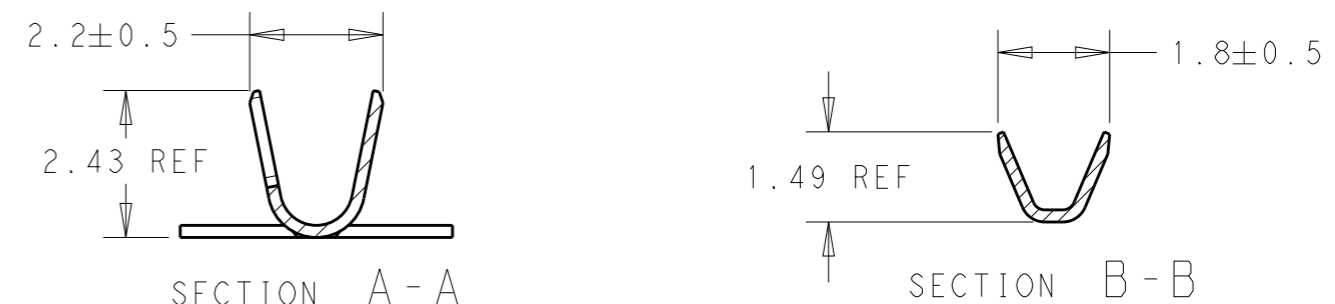
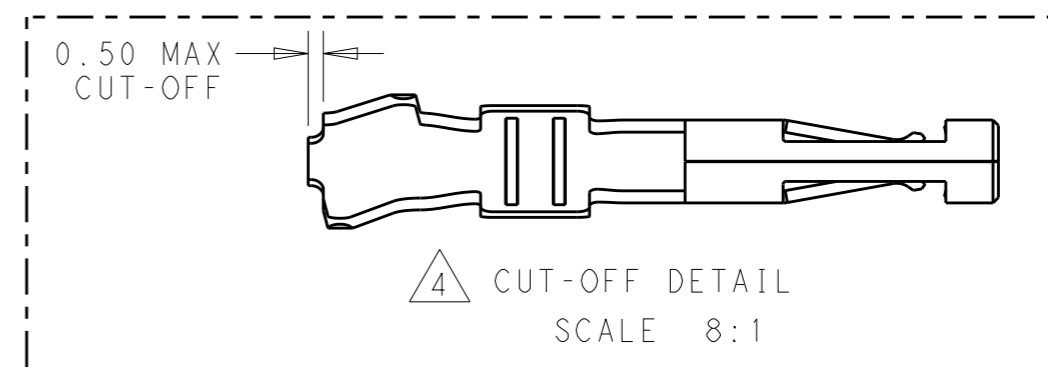


REVISIONS

P	LTR	DESCRIPTION	DATE	DWN	APVD
	A	INITIAL RELEASE	08AUG2019	L.C	D.Z



- 1 COPPER ALLOY, 0.20 THICK, REF
- 2 FINISH: TIN PRE-PLATED
- 3 TE LOGO LOCATED APPROX IN THIS AREA
- 4 TO BE SUPPLIED WITH LOOSE PIECE, SEE CUT-OFF DETAIL
- 5 MATING PLUG HOUSING P/NS: 2321918-*
- 6 APPLICATION FEED 6.0mm



PRE-PLATED CONTACT

INSULATION DIA	WIRE RANGE	REMARKS	FINISH	PART NO
1.30-1.60	22-26 AWG	LOOSE PIECE, SEE 4	2	1-2321921-1
1.30-1.60	22-26 AWG	ON REEL	2	2321921-1

THIS DRAWING IS A CONTROLLED DOCUMENT.		DWN R. SMITH 28JUL2017	TE Connectivity RECEPTACLE TERMINAL, SDL 2.5 WATERPROOF		
DIMENSIONS: mm		CHK C. YI 28JUL2017			
TOLERANCES UNLESS OTHERWISE SPECIFIED:		APVD C. YI 28JUL2017			
0 PLC ±- 1 PLC ±0.50 2 PLC ±0.25 3 PLC ±- 4 PLC ±- ANGLES ±-		PRODUCT SPEC 108-143069	NAME		
MATERIAL 1		APPLICATION SPEC 114-143067	SIZE A3	CAGE CODE 00779	DRAWING NO C-2321921
FINISH -		WEIGHT -	RESTRICTED TO -		
SEE TABLE		CUSTOMER DRAWING	SCALE 6:1	SHEET 1 OF 1	REV A

X-ON Electronics

Largest Supplier of Electrical and Electronic Components

Click to view similar products for [Headers & Wire Housings](#) category:

Click to view products by [TE Connectivity](#) manufacturer:

Other Similar products are found below :

[892-18-020-10-001101](#) [58102-G61-06LF](#) [582553-1](#) [0009485154](#) [009176003701906](#) [0050291907](#) [LY20-4P-DT1-P1E-BR](#) [02.125.8002.8](#)
[609-3404](#) [61062-3](#) [61082-181009](#) [622-3653LF](#) [63453-116](#) [636-1030](#) [636-1427](#) [636-3427](#) [636-4007](#) [641938-9](#) [641991-4](#) [644827-2](#) [65817-](#)
[010LF](#) [65817-015LF](#) [65863-015LF](#) [66207-023LF](#) [67095-007LF](#) [67601157](#) [68645-018](#) [68648-049](#) [70.362.1628.0](#) [70-4210](#) [70-4226B](#) [70-](#)
[4853B](#) [707-5020](#) [707-5028](#) [71.350.2428.0](#) [71918-208LF](#) [71961-016LF](#) [733-134](#) [733-162](#) [754199-000](#) [760-3052](#) [787-8014-00](#) [79531-3000](#)
[FCN-360C032-B](#) [FCN-367T-T012/H](#) [FCN-723D010/2](#) [80.063.4001.1](#) [800-90-001-10-001000](#) [800-90-010-10-002000](#) [801-43-002-10-013000](#)