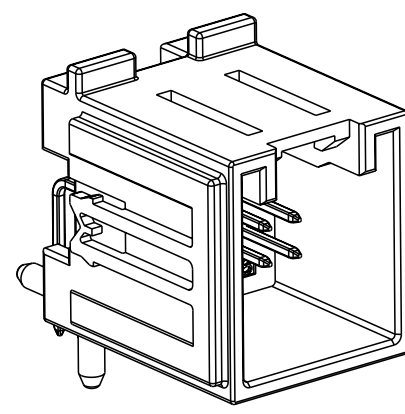
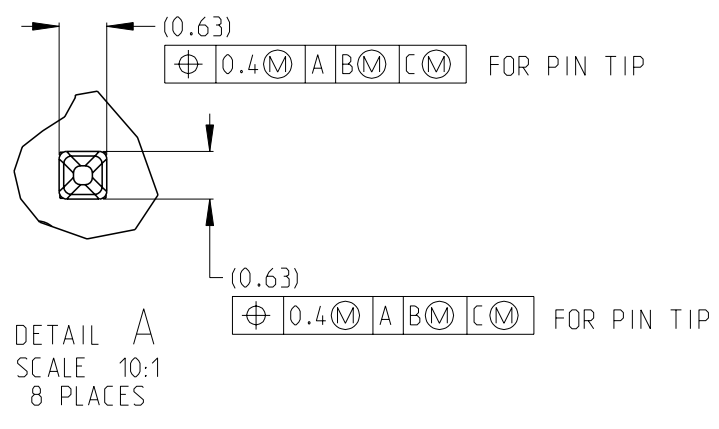
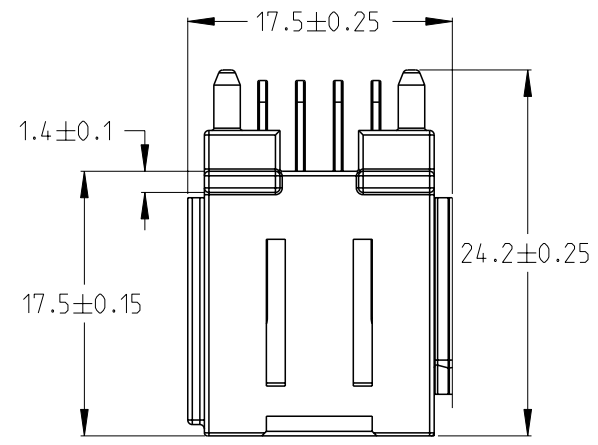
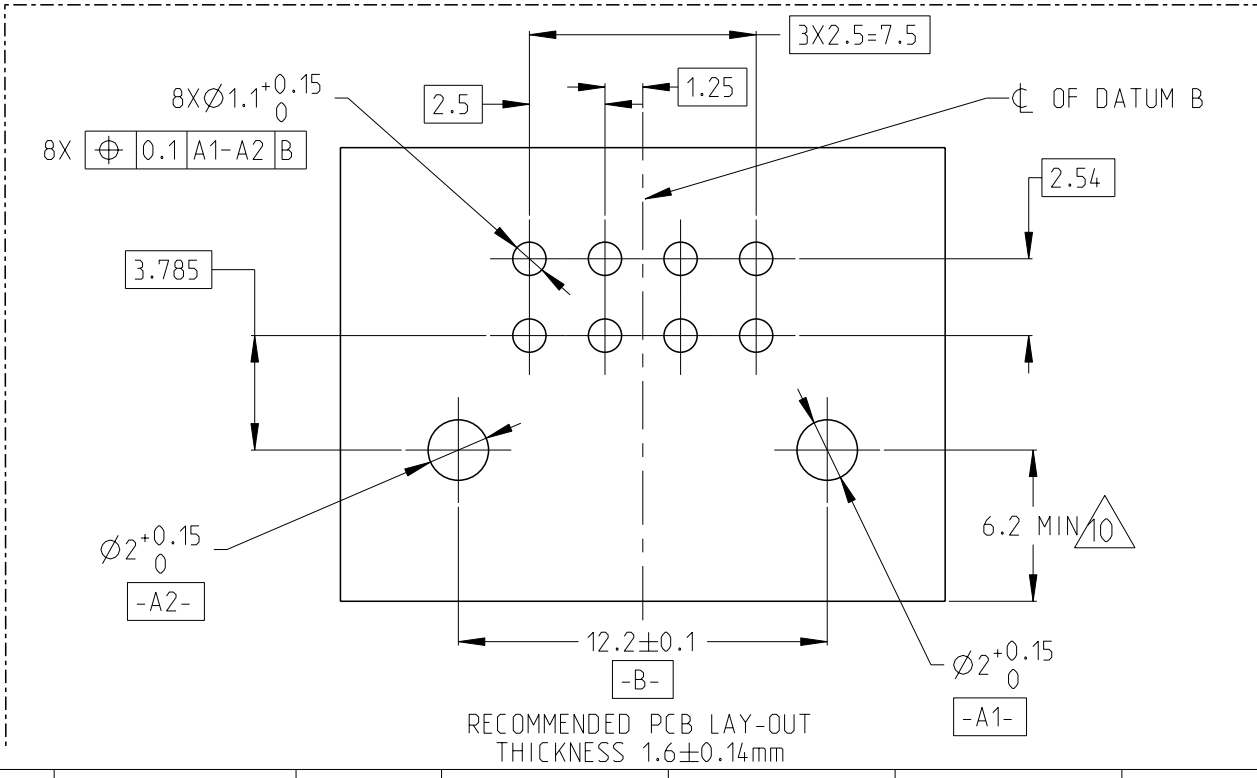
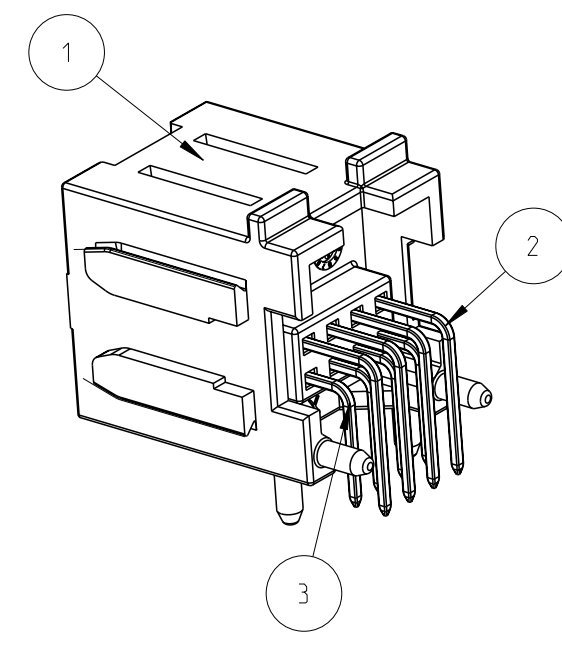
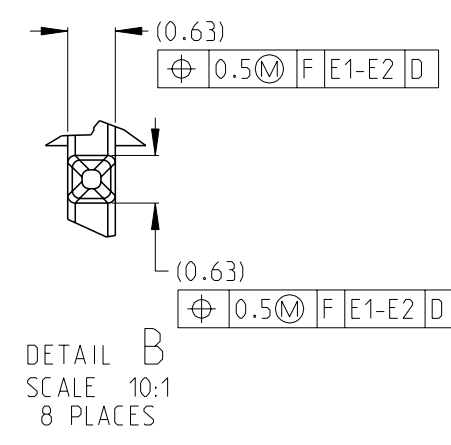
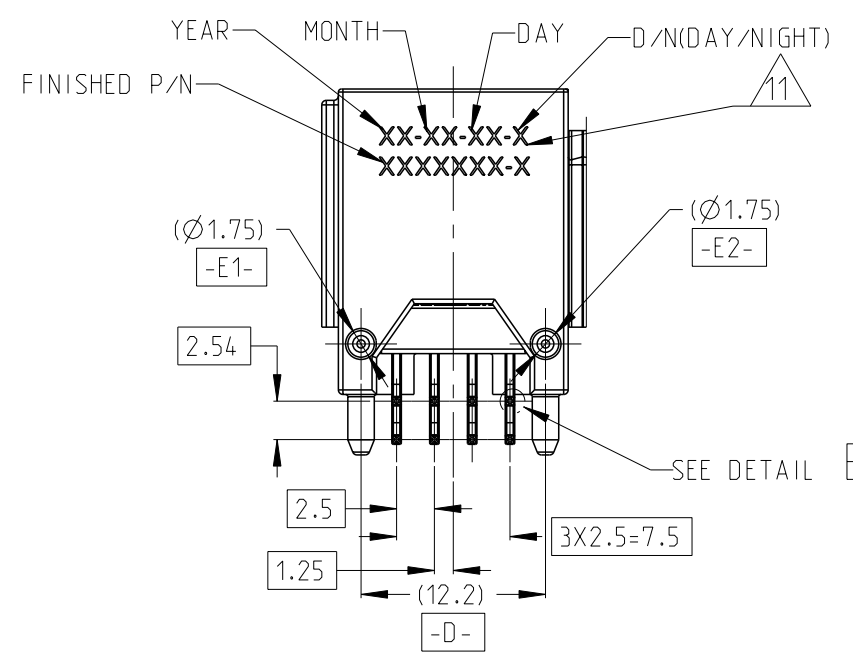
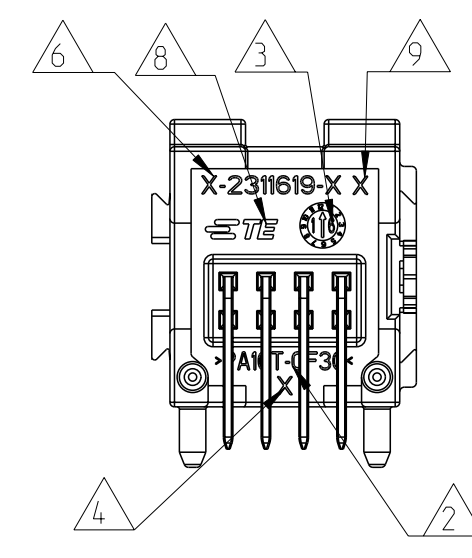
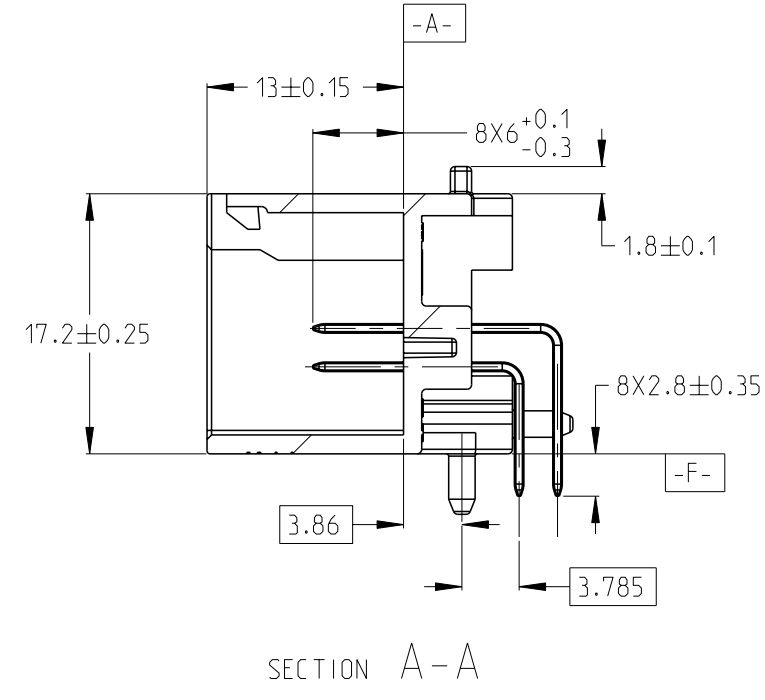
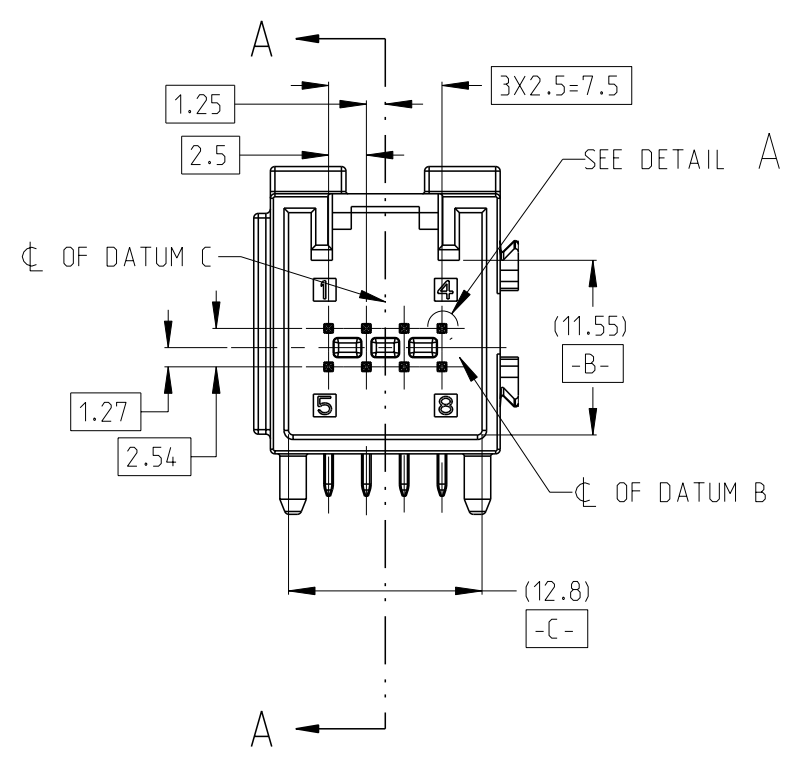


THIS DRAWING IS UNPUBLISHED. RELEASED FOR PUBLICATION 20
 © COPYRIGHT 20 BY - ALL RIGHTS RESERVED.

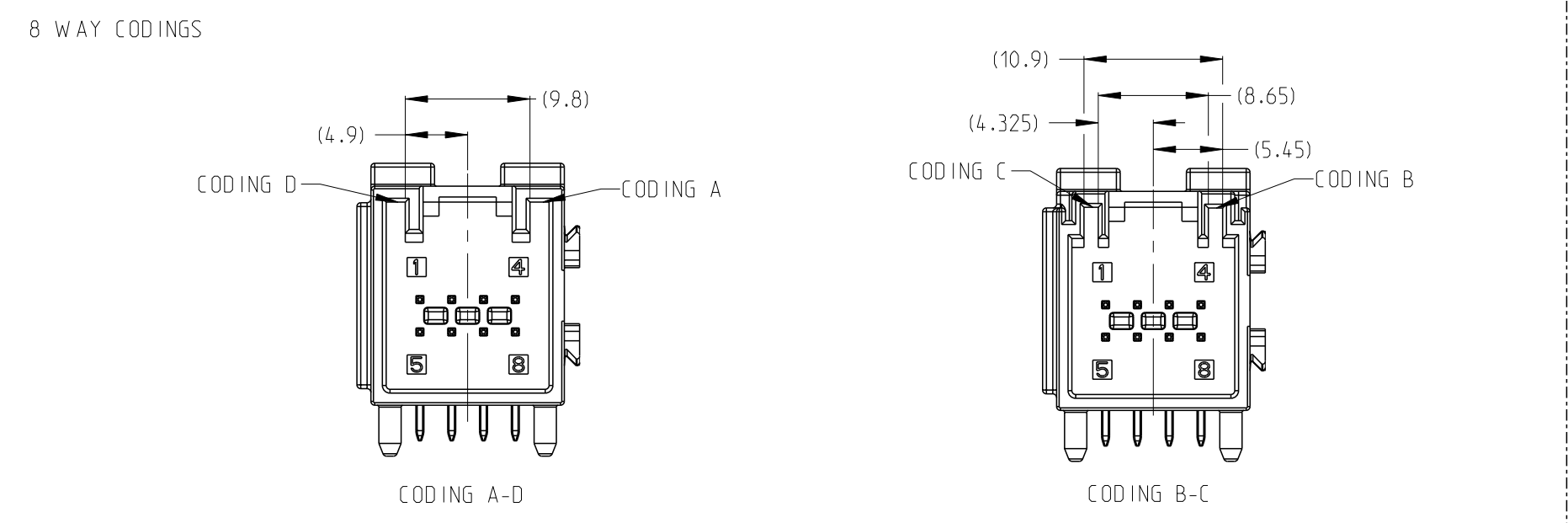
REVISIONS					
P	LTR	DESCRIPTION	DATE	DWN	APVD
	A	RELEASE	26JUL17	K.W	I.Y
	A1	ECR-20-011383	01SEP20	K.W	W.W
	A2	ECN-23-192592	05JAN23	Y.Y	J.Z
	A3	ECN-23-207973	13APR23	Y.Y	J.Z



- 1 PLASTIC MATERIAL: PA10T OR SPS
SQ PIN MATERIAL: CuZn30
PLATING SPEC: TIN OVER NICKEL
- 2 MATERIAL MARKING
- 3 PLASTIC HOUSING PRODUCTION MONTH CLOCK
- 4 TOOL CAVITY MARKING 1.2.3.4...
- 5. PRODUCT OPERATION TEMPERATURE RANGE:-40°C~105°C
- 6 TE SEMIFINISHED PART NUMBER
- 7. SUITABLE MATING CONNECTOR: 2322346
- 8 TE-LOGO
- 9 TE SEMIFINISHED PART REVISION
- 10 PRODUCT STABILIZATION FOR SOLDERING PROCESS
- 11 PRODUCT ASSEMBLY DATA INFORMATION



TE P/N	CODING	TRAY	QTY	DESCRIPTION	MATERIAL	COLOR/FINISH	ITEM NO
1-2311621-2	A-D	DIM:310*210*29mm	4	0.63 SQ PIN	CuZn30	Sn OVER Ni	3
			4	0.63 SQ PIN	CuZn30	Sn OVER Ni	2
1-2311621-1	A-D	DIM:320*210*28mm	1	8 WAY HOUSING	PA10T OR SPS	BLACK	1
			4	0.63 SQ PIN	CuZn30	Sn OVER Ni	3
2311621-4	B-D	DIM:375*275*30mm	4	0.63 SQ PIN	CuZn30	Sn OVER Ni	2
			1	8 WAY HOUSING	PA10T OR SPS	BLACK	1
2311621-3	A-C	DIM:375*275*30mm	4	0.63 SQ PIN	CuZn30	Sn OVER Ni	3
			1	8 WAY HOUSING	PA10T OR SPS	GREEN	1
2311621-2	B-C	DIM:375*275*30mm	4	0.63 SQ PIN	CuZn30	Sn OVER Ni	3
			1	8 WAY HOUSING	PA10T OR SPS	BROWN	1
2311621-1	A-D	DIM:375*275*30mm	4	0.63 SQ PIN	CuZn30	Sn OVER Ni	3
			4	0.63 SQ PIN	CuZn30	Sn OVER Ni	2
			1	8 WAY HOUSING	PA10T OR SPS	BLACK	1



THIS DRAWING IS A CONTROLLED DOCUMENT. DWN: K.WEI 20FEB2017
 CHK: E.JIANG 21JUL2017
 APVD: J.YIN 26JUL2017

DIMENSIONS: mm TOLERANCES UNLESS OTHERWISE SPECIFIED:
 0 PLC ±
 1 PLC ±0.1
 2 PLC ±0.21
 3 PLC ±0.061
 4 PLC ±0.0001
 ANGLES FINISH ±

MATERIAL: 1

PRODUCT SPEC: 108-101528
 APPLICATION SPEC: 114-101065
 WEIGHT: -

CUSTOMER DRAWING

NAME: 8 WAY MQS PIN HEADER
 SIZE: A2 CAGE CODE: - DRAWING NO: C-2311621 RESTRICTED TO: -
 SCALE: 2:1 SHEET: 1 OF 1 REV: A3

TE Connectivity

Printed on 13 Apr 2023 10:49 (China Standard Time) from TES16837

X-ON Electronics

Largest Supplier of Electrical and Electronic Components

Click to view similar products for [Headers & Wire Housings](#) category:

Click to view products by [TE Connectivity](#) manufacturer:

Other Similar products are found below :

[892-18-020-10-001101](#) [0010894062](#) [0010977306](#) [0015477636](#) [0015917161](#) [0022104068](#) [0022121042](#) [0022155065](#) [0022281023](#) [57102-F02-18ULF](#) [PCN6B-10P-2.5DS](#) [58102-G61-06LF](#) [582553-1](#) [0015911208](#) [01.001.5753.1](#) [0022285048](#) [0050291907](#) [02.125.8002.8](#)
[CSU011177004](#) [622-0430](#) [63453-116](#) [636-1030](#) [636-1427](#) [636-3427](#) [636-4007](#) [641938-9](#) [65495-038](#) [65692-001LF](#) [65781-018](#) [65781-047](#)
[65817-010LF](#) [67095-007LF](#) [67601157](#) [68631-112](#) [68645-018](#) [699319-000](#) [70.362.1628.0](#) [70-4210](#) [70-4226B](#) [70-4853B](#) [707-5028](#)
[71.350.2428.0](#) [733-134](#) [733-162](#) [760-3052](#) [80.063.4001.1](#) [800-90-001-10-001000](#) [801-43-002-10-013000](#) [801-43-006-10-002000](#)
[803-43-024-10-001000](#)