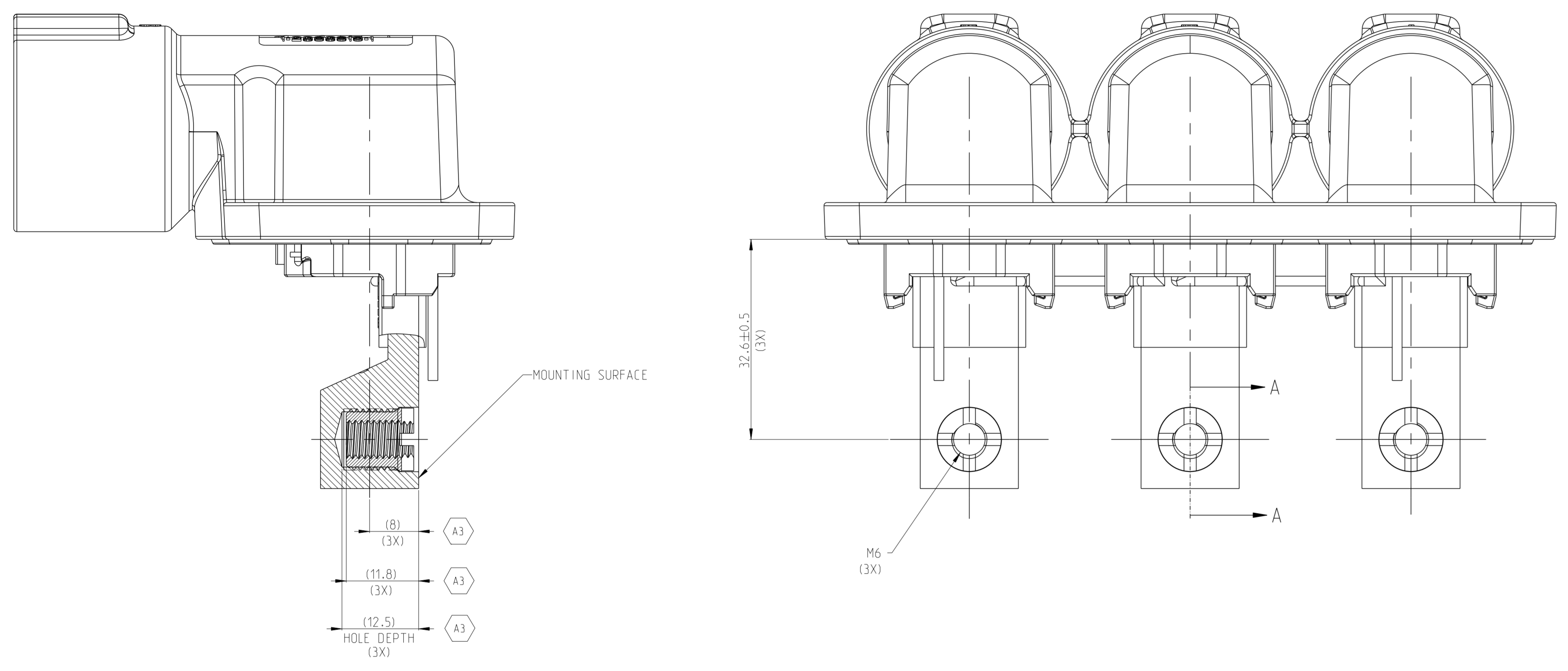


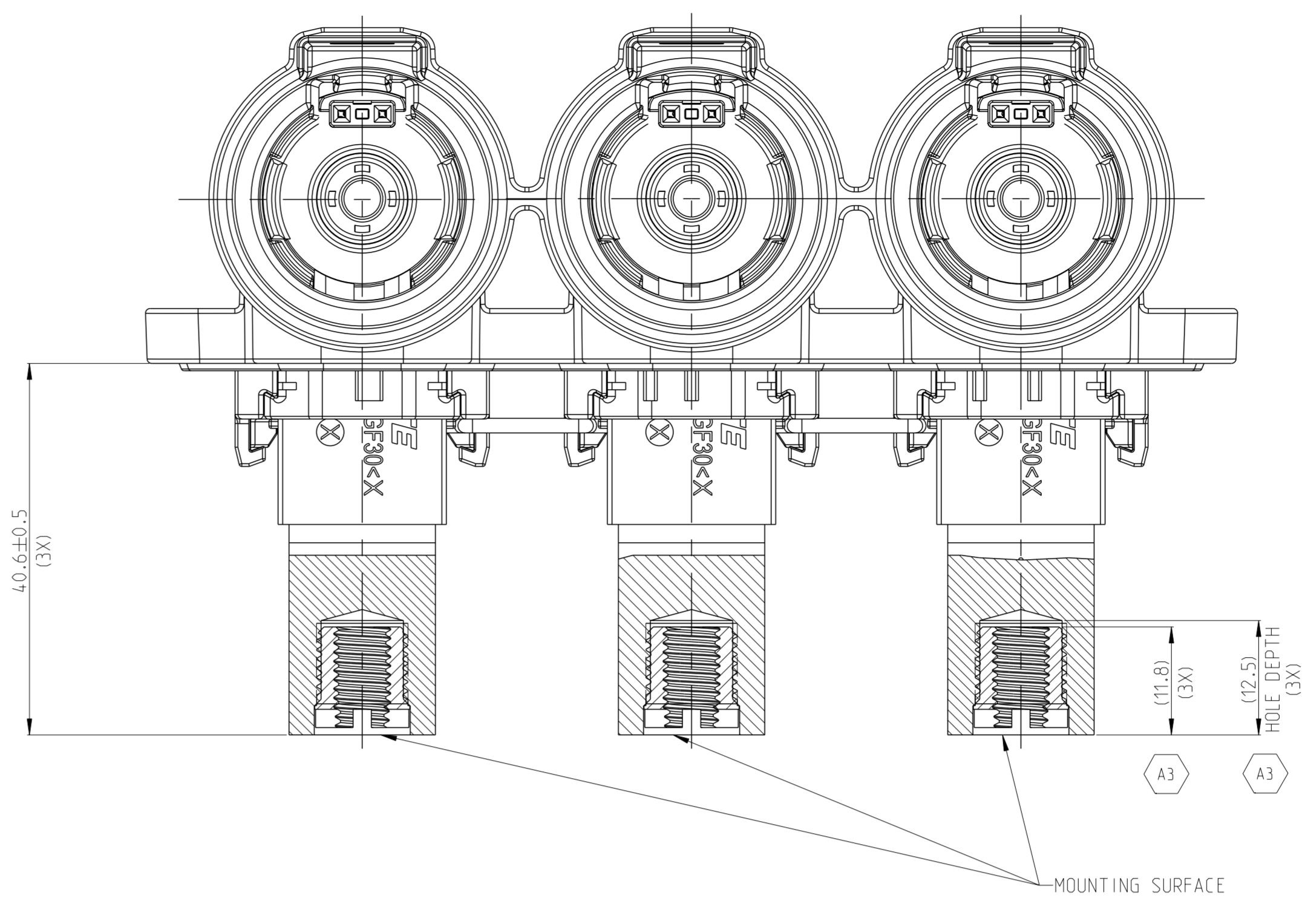
REVISIONS			
REV	DATE	BY	APPV
1			
SEE SHEET 1			



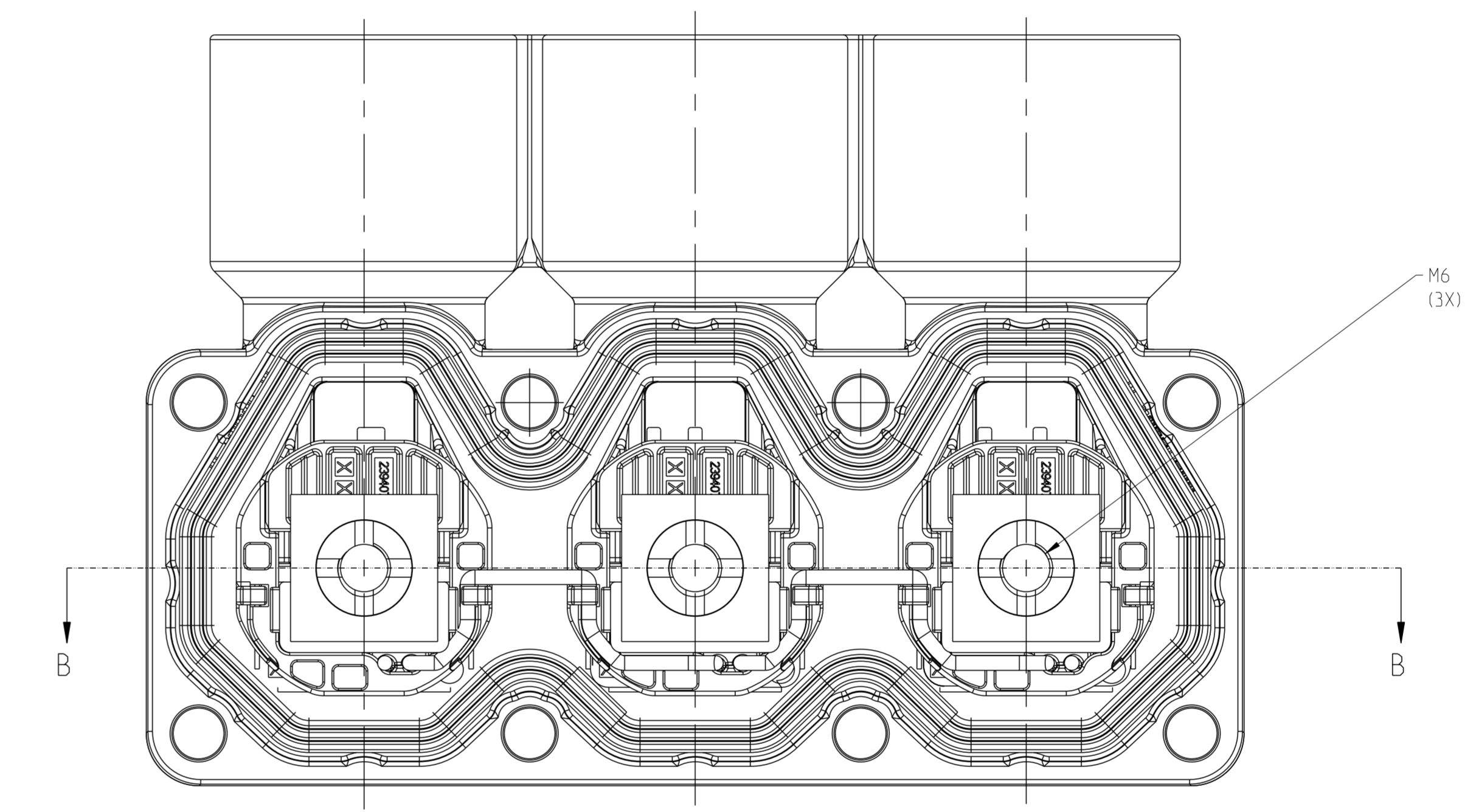
SECTION A-A

MISSING DIMENSIONS REFER TO 2394072-1

TE-ASSY-NO.	CODE	DESCRIPTION	DESCRIPTION	CODE	MATERIAL	SURFACE COLOR	WEIGHT (g)	QTY	ITEM
1-2394072-4	K/L/M	3POS.PIN DIA 10.0 HDR ASSY.90DEG	CODE HOUSING	M	PA66-GF	AQUA RED	(480)	1	12
			CODE HOUSING	L	PA66-GF	AQUA BROWN		1	11
			CODE HOUSING	K	PA66-GF	AQUA GREEN		1	10
			FOLLOW 1-2394072-1	-	-	-		-	1-9
1-2394072-3	G/H/J	3POS.PIN DIA 10.0 HDR ASSY.90DEG	CODE HOUSING	J	PA66-GF	ORANGE	(480)	1	12
			CODE HOUSING	H	PA66-GF	YELLOW		1	11
			CODE HOUSING	G	PA66-GF	RED		1	10
			FOLLOW 1-2394072-1	-	-	-		-	1-9
1-2394072-2	D/E/F	3POS.PIN DIA 10.0 HDR ASSY.90DEG	CODE HOUSING	F	PA66-GF	BROWN	(480)	1	12
			CODE HOUSING	E	PA66-GF	GREEN		1	11
			CODE HOUSING	D	PA66-GF	PURPLE		1	10
			FOLLOW 1-2394072-1	-	-	-		-	1-9
1-2394072-1	A/B/C	3POS.PIN DIA 10.0 HDR ASSY.90DEG	CODE HOUSING	C	PA66-GF	BLUE	(480)	1	12
			CODE HOUSING	B	PA66-GF	NATURE		1	11
			CODE HOUSING	A	PA66-GF	BLACK		1	10
			HEADER TPA	-	PA66-GF	RED		3	9
			FINGER PROTECTION CAP	-	PA66-GF	BLACK		3	8
			FACE SEAL	-	SILICONE	RED		1	7
			BUSBAR OVERMOLD BACK SIDE	-	-	-		3	6
			OUTER HOUSING	-	PA66-GF	BLACK		3	5
			INNER HOUSING	-	PA66-GF	BLACK		3	4
			HV INTERLOCK CABLE BRIDGED	-	-	-		2	3
			HV INTERLOCK CABLE	-	-	-		2	2
			HEADER HOUSING 90DEG.3POS	-	AL-ALLOY	NICKEL PLATED		1	1



SECTION B-B



MISSING DIMENSIONS REFER TO 2394072-1

TE-ASSY-NO.	CODE	DESCRIPTION	DESCRIPTION	CODE	MATERIAL	SURFACE COLOR	WEIGHT (g)	QTY	ITEM
2-2394072-4	K/L/M	3POS.PIN DIA 10.0 HDR ASSY.90DEG	CODE HOUSING	M	PA66-GF	AQUA RED	(480)	1	12
			CODE HOUSING	L	PA66-GF	AQUA BROWN		1	11
			CODE HOUSING	K	PA66-GF	AQUA GREEN		1	10
			FOLLOW 2-2394072-1	-	-	-		-	1-9
2-2394072-3	G/H/J	3POS.PIN DIA 10.0 HDR ASSY.90DEG	CODE HOUSING	J	PA66-GF	ORANGE	(480)	1	12
			CODE HOUSING	H	PA66-GF	YELLOW		1	11
			CODE HOUSING	G	PA66-GF	RED		1	10
			FOLLOW 2-2394072-1	-	-	-		-	1-9
2-2394072-2	D/E/F	3POS.PIN DIA 10.0 HDR ASSY.90DEG	CODE HOUSING	F	PA66-GF	BROWN	(480)	1	12
			CODE HOUSING	E	PA66-GF	GREEN		1	11
			CODE HOUSING	D	PA66-GF	PURPLE		1	10
			FOLLOW 2-2394072-1	-	-	-		-	1-9
2-2394072-1	A/B/C	3POS.PIN DIA 10.0 HDR ASSY.90DEG	CODE HOUSING	C	PA66-GF	BLUE	(480)	1	12
			CODE HOUSING	B	PA66-GF	NATURE		1	11
			CODE HOUSING	A	PA66-GF	BLACK		1	10
			HEADER TPA	-	PA66-GF	RED		3	9
			FINGER PROTECTION CAP	-	PA66-GF	BLACK		3	8
			FACE SEAL	-	SILICONE	RED		1	7
			BUSBAR OVERMOLD TOP SIDE	-	-	-		3	6
			OUTER HOUSING	-	PA66-GF	BLACK		3	5
			INNER HOUSING	-	PA66-GF	BLACK		3	4
			HV INTERLOCK CABLE BRIDGED	-	-	-		2	3
			HV INTERLOCK CABLE	-	-	-		2	2
			HEADER HOUSING 90DEG.3POS	-	AL-ALLOY	NICKEL PLATED		1	1

THIS DRAWING IS A CONTROLLED DOCUMENT.

TE Connectivity

3POS.PIN DIA 10.0 HDR ASSY.90DEG HVP-HD1000

10B-160341

114-160181

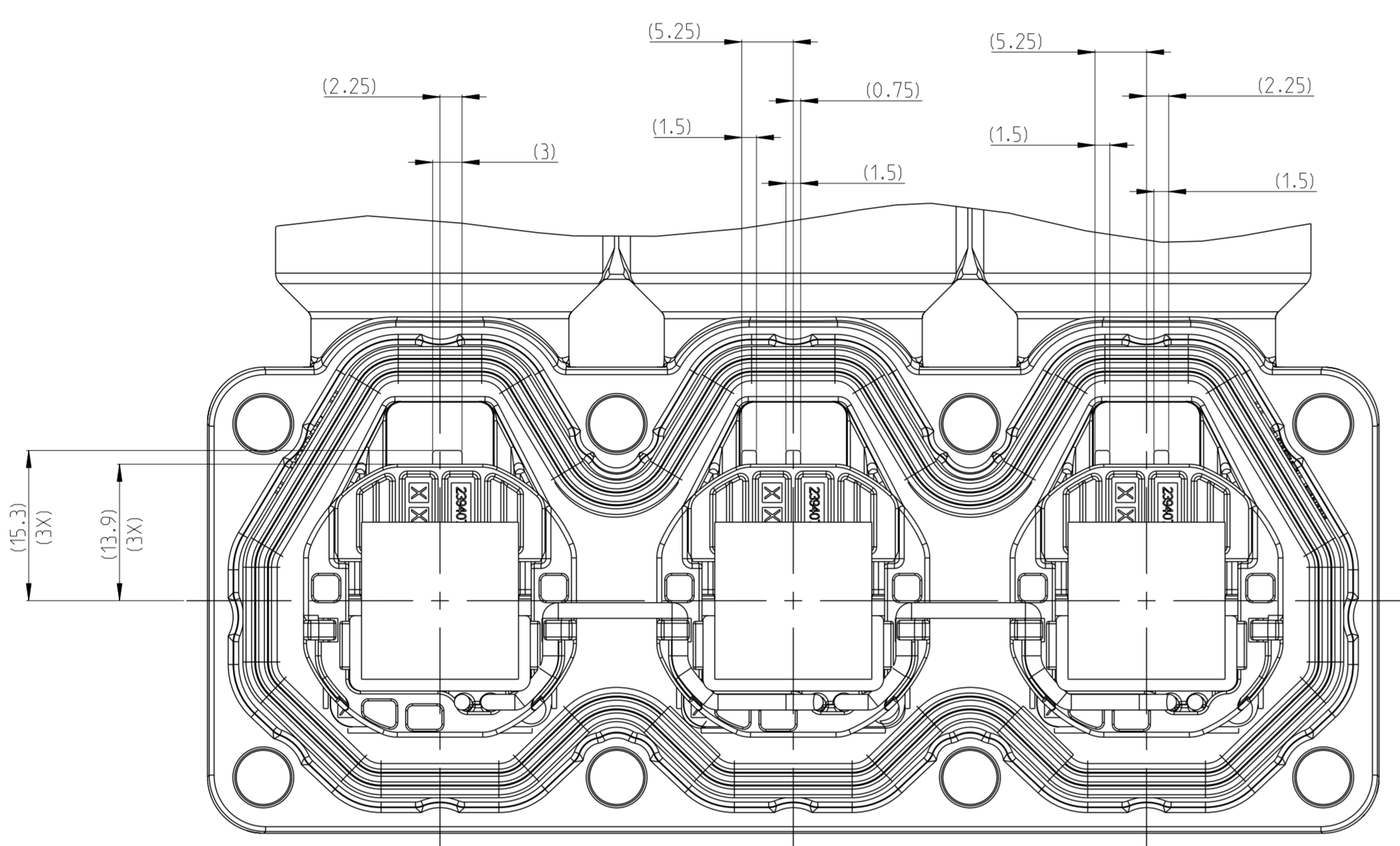
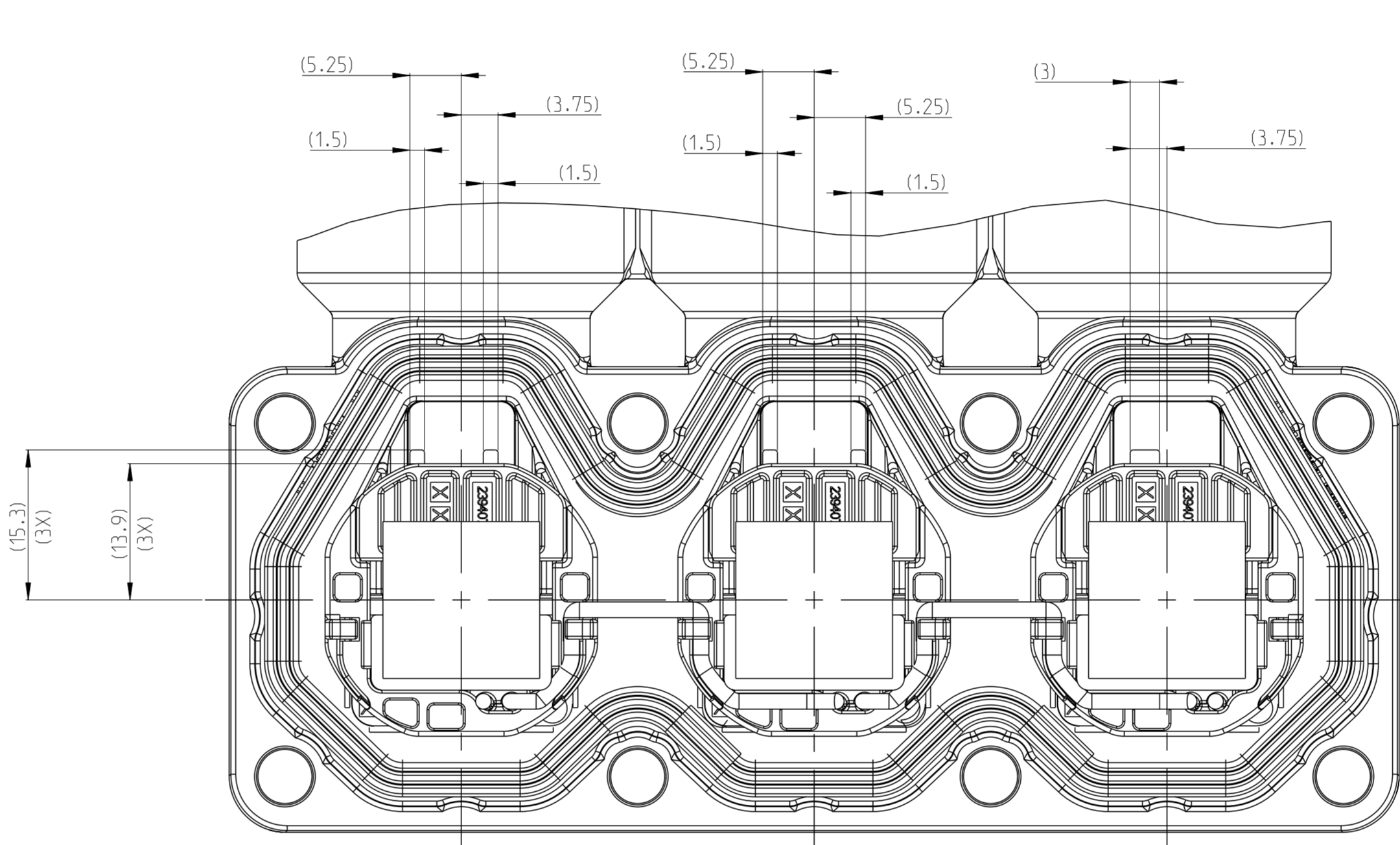
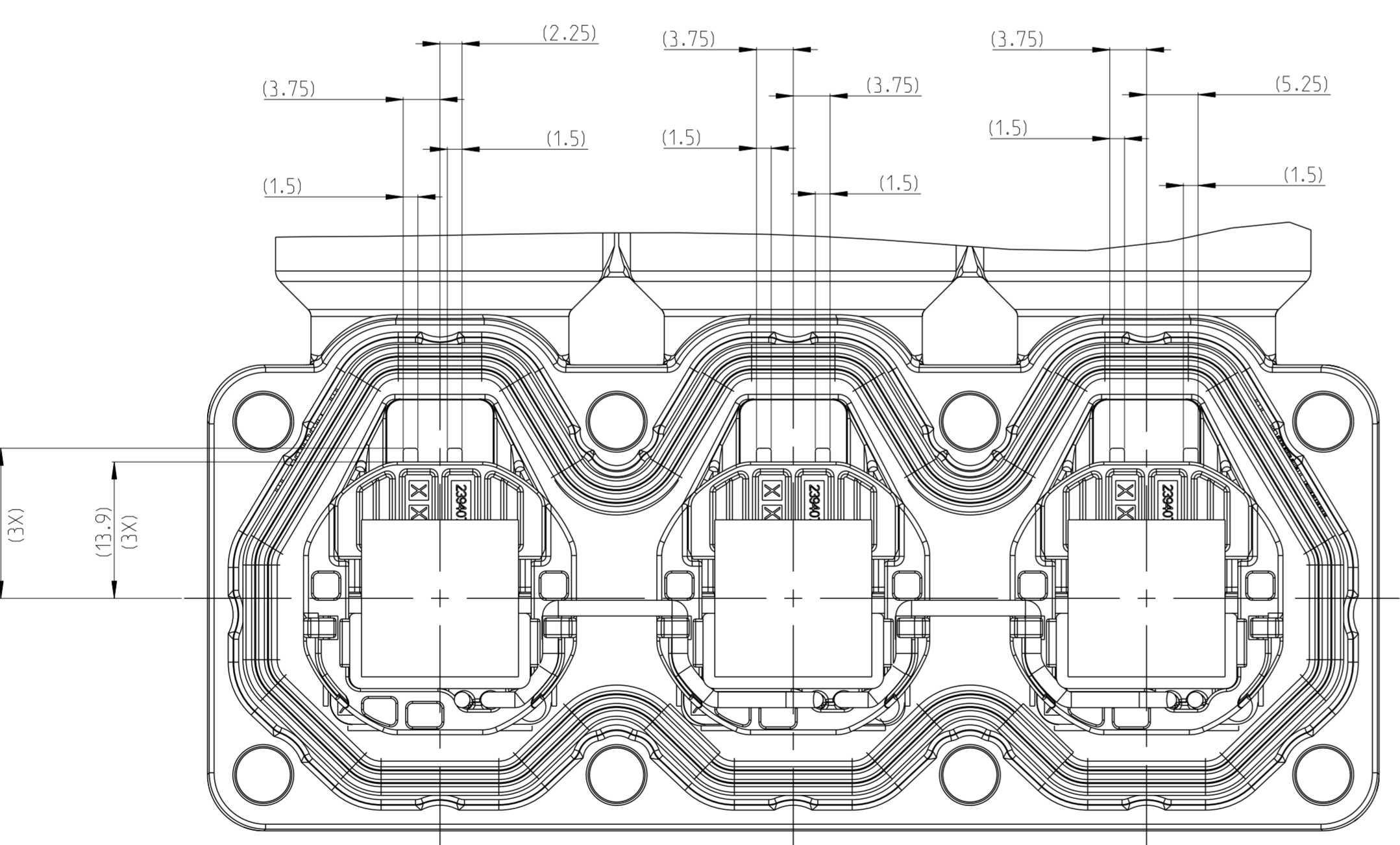
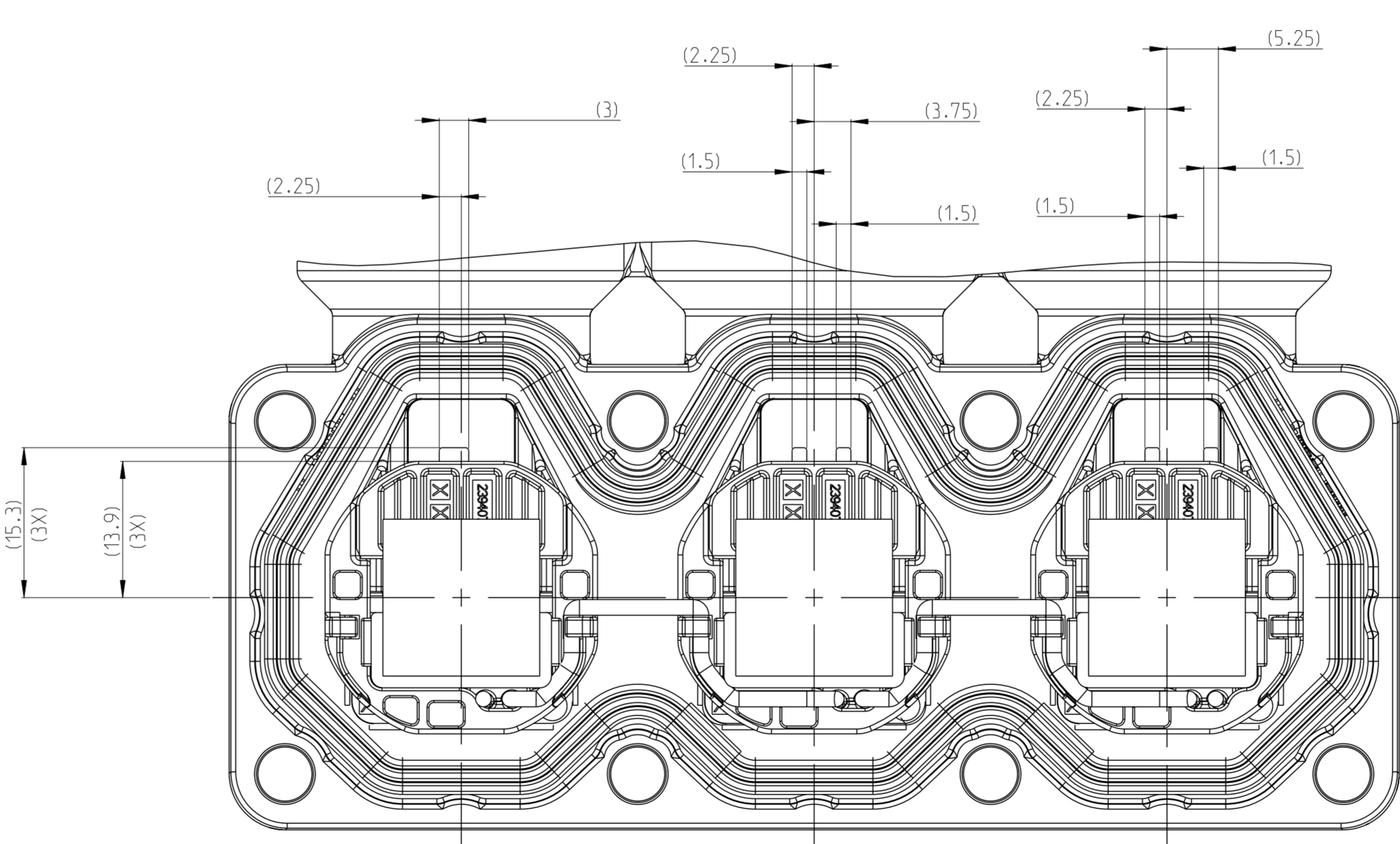
00779

2394072

SCALE 2:1 SHEET 2 OF 4

REVISIONS			
REV	DATE	BY	APPD
1			
SEE SHEET 1			

2

TABLE 5					
*-1			*-2		
CODE A	CODE B	CODE C	CODE D	CODE E	CODE F
					
CODE G	CODE H	CODE J	CODE K	CODE L	CODE M
					

printed on 08/26/2022 20:16:43 (HP) Standard Time from 1643955

THIS DRAWING IS A CONTROLLED DOCUMENT.

DATE	26AUG2021	BY	W.SHI
CHECKED	26AUG2021	BY	L.L.
APPROVED	26AUG2021	BY	J.YIN

TE Connectivity

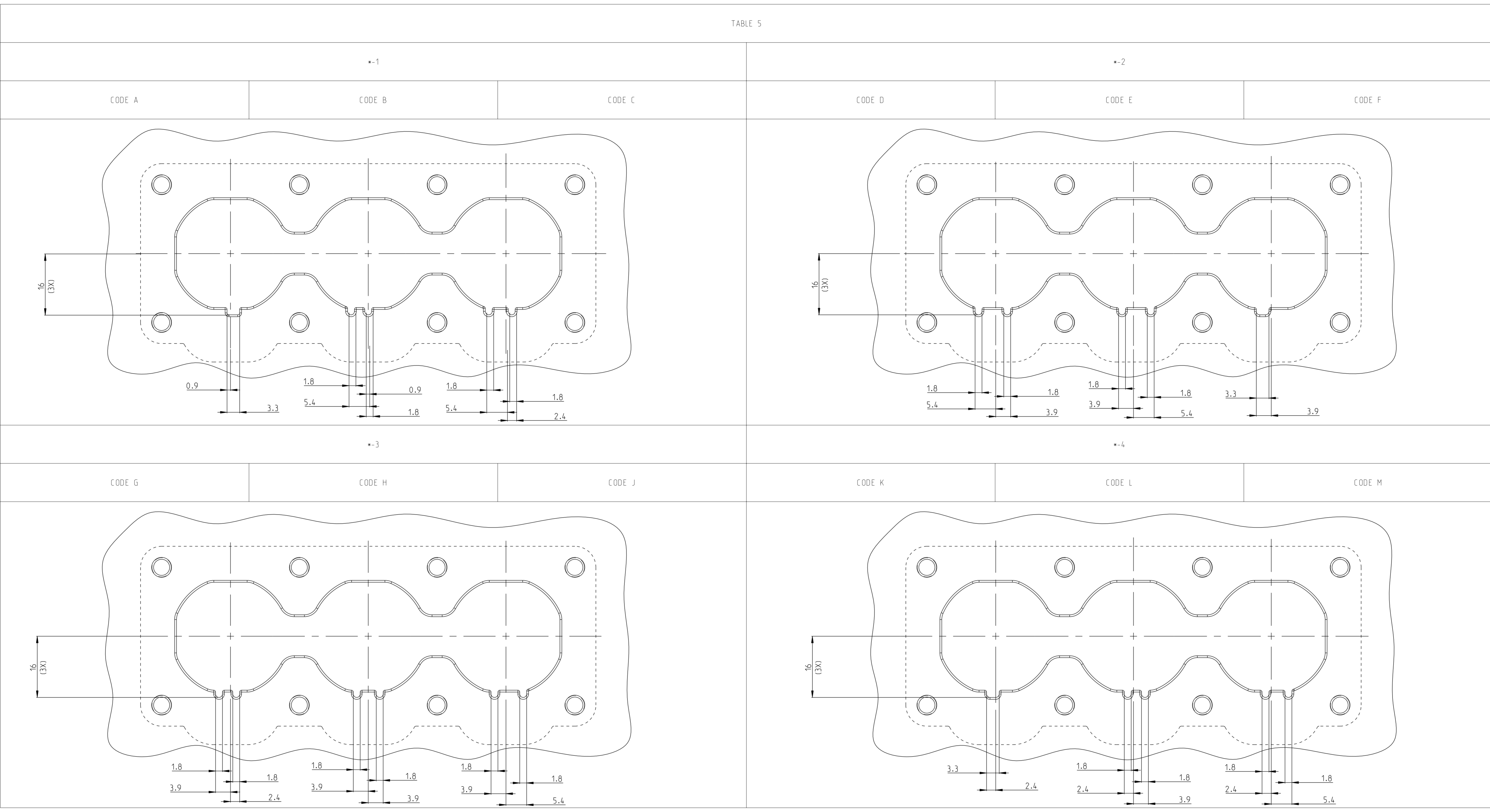
3POS.PIN DIA 10.0 HDR ASSY.90DEG HVP-HD1000

108-16034-1

114-160181

SCALE 2:1 SHEET 3 OF 4

REVISIONS			
REV	DATE	DESCRIPTION	BY
1		SEE SHEET 1	



printed on 08/26/2022 20:16:00 (Printed Time from 16:05:05)

THIS DRAWING IS A CONTROLLED DOCUMENT.

DIMENSIONS: DIMS: 0.001 DECIMALS UNITS: 0.001 OPERATING SPEC: 0.001 FINISH SPEC: 0.001 MATERIAL: SEE TABLE WEIGHT: SEE TABLE FINISH SPEC: CUSTOMER DRAWING	DATE: 26AUG2021 CHK: L.L. APPV: J.Y.I.N. PRODUCT SPEC: 108-160341 APPLICATION SPEC: 114-160181 WEIGHT: SEE TABLE CUSTOMER DRAWING	TE Connectivity NAME: 3POS.PIN DIA 10.0 HDR ASSY.90DEG HVP-HD1000 SIZE: A0 CASE CODE: 00779 DRAWING NO: 2394072 SCALE: 2:1 SHEET: 4 OF: 4 REV: A3
---	---	--

X-ON Electronics

Largest Supplier of Electrical and Electronic Components

Click to view similar products for [Headers & Wire Housings](#) category:

Click to view products by [TE Connectivity](#) manufacturer:

Other Similar products are found below :

[892-18-020-10-001101](#) [0010894062](#) [0010977306](#) [0015477636](#) [0015917161](#) [0022104068](#) [0022121042](#) [0022155065](#) [0022281023](#) [57102-F02-18ULF](#) [58102-G61-06LF](#) [582553-1](#) [0015911208](#) [01.001.5753.1](#) [0022285048](#) [0050291907](#) [02.125.8002.8](#) [CSU011177004](#) [622-0430](#) [622-3653LF](#) [63453-116](#) [636-1030](#) [636-1427](#) [636-3427](#) [636-4007](#) [641938-9](#) [65495-038](#) [65692-001LF](#) [65781-018](#) [65781-047](#) [65817-010LF](#) [65817-015LF](#) [67095-007LF](#) [67601157](#) [68631-112](#) [68645-018](#) [699319-000](#) [70.362.1628.0](#) [70-4210](#) [70-4226B](#) [70-4853B](#) [707-5028](#) [71.350.2428.0](#) [733-134](#) [733-162](#) [760-3052](#) [MHR-64-VUAL](#) [80.063.4001.1](#) [800-90-001-10-001000](#) [801-43-002-10-013000](#)