

THIS DRAWING IS UNPUBLISHED. RELEASED FOR PUBLICATION  
 © COPYRIGHT BY TYCO ELECTRONICS CORPORATION. ALL INTERNATIONAL RIGHTS RESERVED.

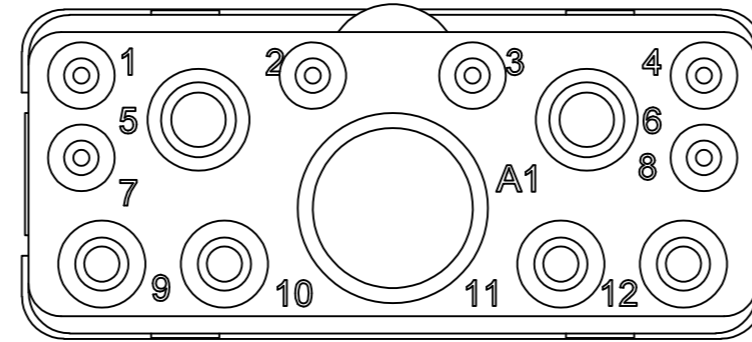
LOC	DIST	REVISIONS			
P	LTR	DESCRIPTION	DATE	DWN	APVD
DF	00				
	0	CONVERTED RADIALL DWG TO TYCO ACAD DWG	11/03	-	-
	1	REVISED	22APR10	RF	JM

- 1 FRONT & REAR INSULATORS: THERMOSET PER ASTM D5948  
 CONTACT RETENTION CLIPS: COPPER ALLOY PER ASTM B 194  
 REAR GROMMET: FLUOROSILICONE ELASTOMER PER MIL-R-25988B, EXCEPT 4.6.6.1

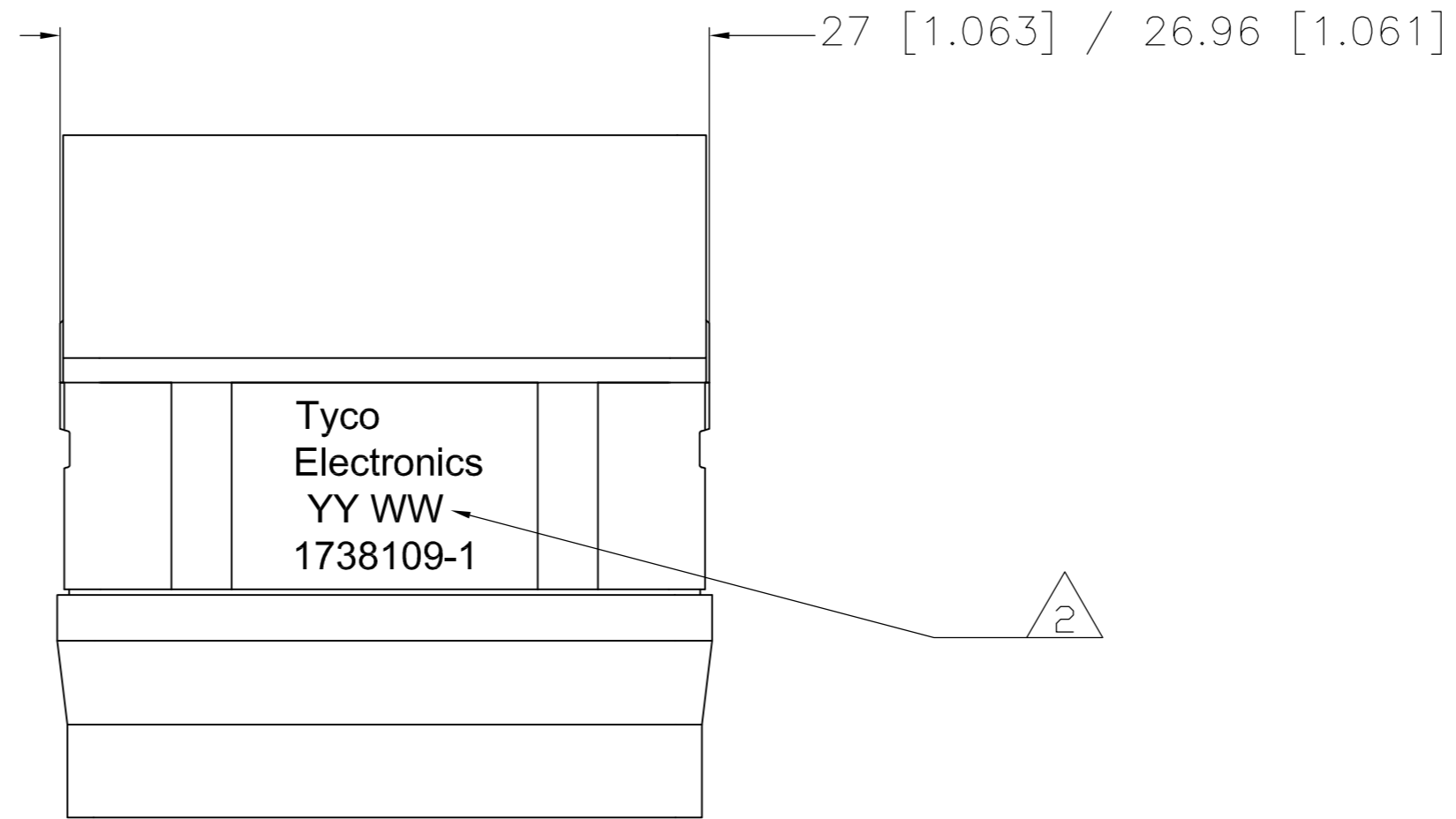
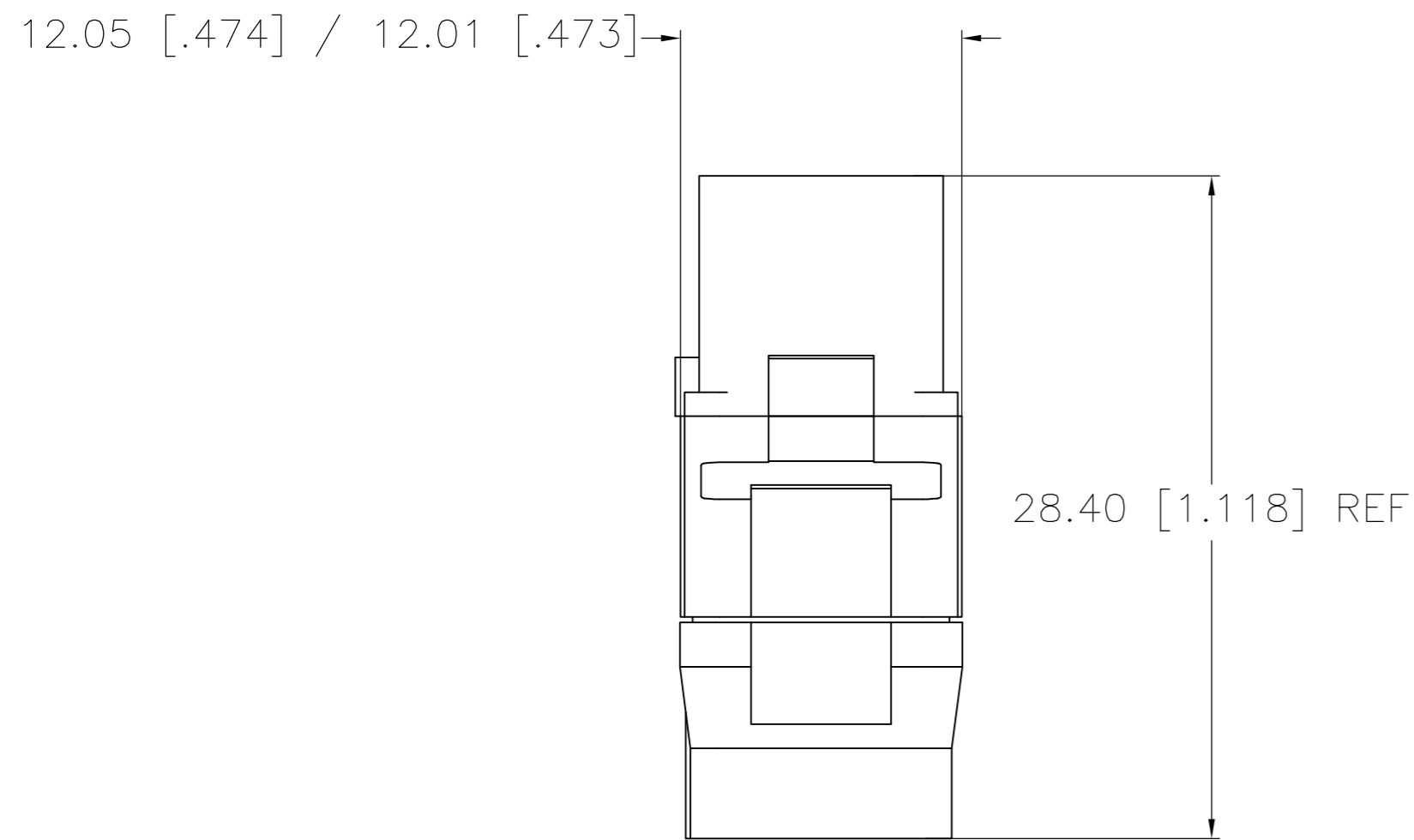
2 DATE CODE: YEAR & WEEK (YY WW)

- 3. DESCRIPTIVE PART NUMBER: GPRBE13C1SA  
 THIS INSERT CONTAINS:  
 2 CAVITIES FOR SIZE 12 SOCKET CONTACTS  
 4 CAVITIES FOR SIZE 16 SOCKET CONTACTS  
 6 CAVITIES FOR SIZE 20 SOCKET CONTACTS  
 1 CAVITY FOR SIZE 5 SOCKET CONTACT

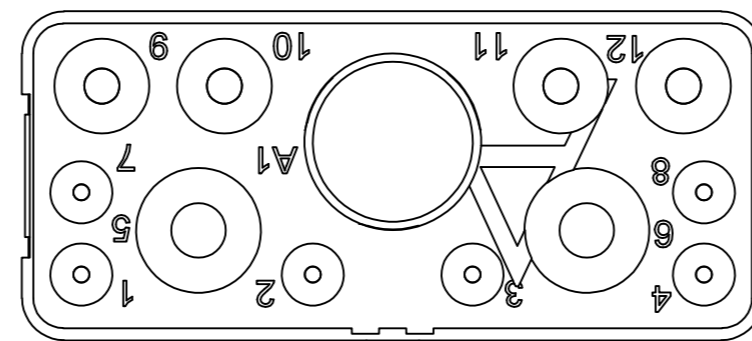
4. THIS PRODUCT IS SOLD BY TYCO ELECTRONICS UNDER A LICENSE FROM RADIALL SA.



MATING FACE



THIS PRINT IS  
**PRELIMINARY**  
 UNQUALIFIED PRODUCT  
 CONTACT PRODUCT ENGINEERING  
 BEFORE USING THIS PRINT



1738109-1  
 PART NUMBER

THIS DRAWING IS A CONTROLLED DOCUMENT.		DWN	R FLAIG	NOV03	Tyco Electronics Corporation Harrisburg, PA 17105-3608
DIMENSIONS:		CHK	J MOSIER	NOV03	
mm [INCHES]		APVD	J MOSIER	NOV03	
TOLERANCES UNLESS OTHERWISE SPECIFIED:		PRODUCT SPEC	NAME		
0 PLC	± -	APPLICATION SPEC	GPR-B SOCKET INSERT		
1 PLC	± -		CLASS E		
2 PLC	± 0.05 [.002]		CONTACT ARRANGEMENT 13C1 KEY A		
3 PLC	± -		SIZE	A2	
4 PLC	± -		CAGE CODE	00779	
ANGLES	± -		DRAWING NO	C=1738109	
FINISH	-	WEIGHT	RESTRICTED TO		
			-		
MATERIAL		CUSTOMER DRAWING		SCALE	
1 -				1:1	
				SHEET	
				1 of 1	
				REV	
				1	

## X-ON Electronics

Largest Supplier of Electrical and Electronic Components

*Click to view similar products for [Headers & Wire Housings](#) category:*

*Click to view products by [TE Connectivity](#) manufacturer:*

Other Similar products are found below :

[892-18-020-10-001101](#) [58102-G61-06LF](#) [582553-1](#) [0009485154](#) [009176003701906](#) [0050291907](#) [LY20-4P-DT1-P1E-BR](#) [02.125.8002.8](#)  
[609-3404](#) [61062-3](#) [61082-181009](#) [622-3653LF](#) [63453-116](#) [636-1030](#) [636-1427](#) [636-3427](#) [636-4007](#) [641938-9](#) [641991-4](#) [644827-2](#) [65817-010LF](#) [65817-015LF](#) [65863-015LF](#) [66207-023LF](#) [67095-007LF](#) [67601157](#) [68645-018](#) [68648-049](#) [70.362.1628.0](#) [70-4210](#) [70-4226B](#) [70-4853B](#) [707-5020](#) [707-5028](#) [71.350.2428.0](#) [71918-208LF](#) [71961-016LF](#) [733-134](#) [733-162](#) [754199-000](#) [760-3052](#) [787-8014-00](#) [79531-3000](#)  
[FCN-360C032-B](#) [FCN-367T-T012/H](#) [FCN-723D010/2](#) [80.063.4001.1](#) [800-90-001-10-001000](#) [800-90-010-10-002000](#) [801-43-002-10-013000](#)