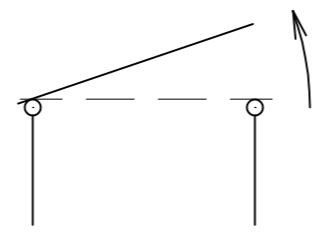


THIS DRAWING IS UNPUBLISHED. RELEASED FOR PUBLICATION
 © COPYRIGHT - By - ALL RIGHTS RESERVED.

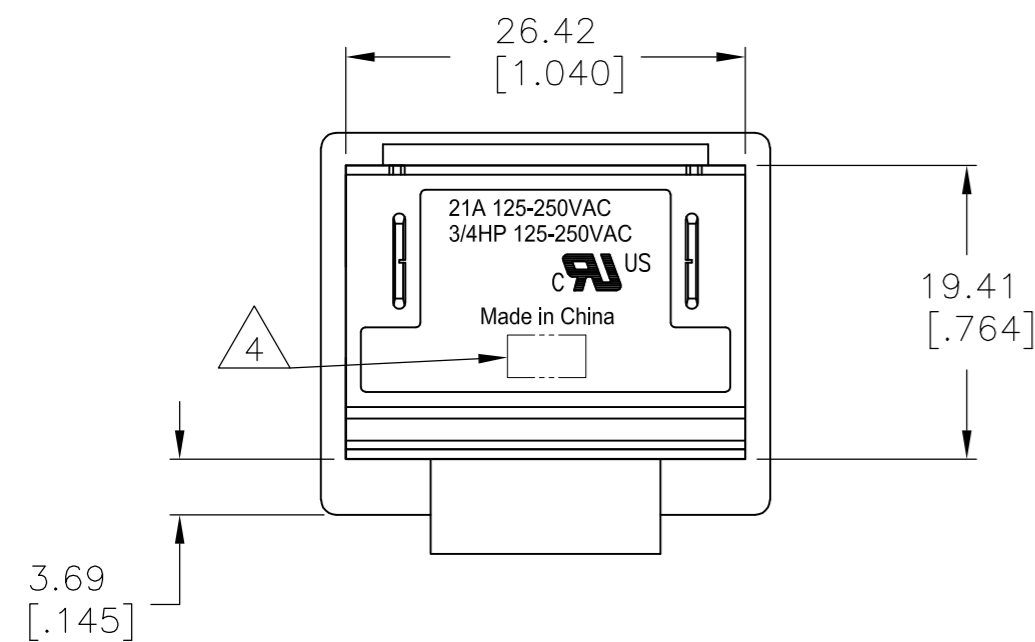
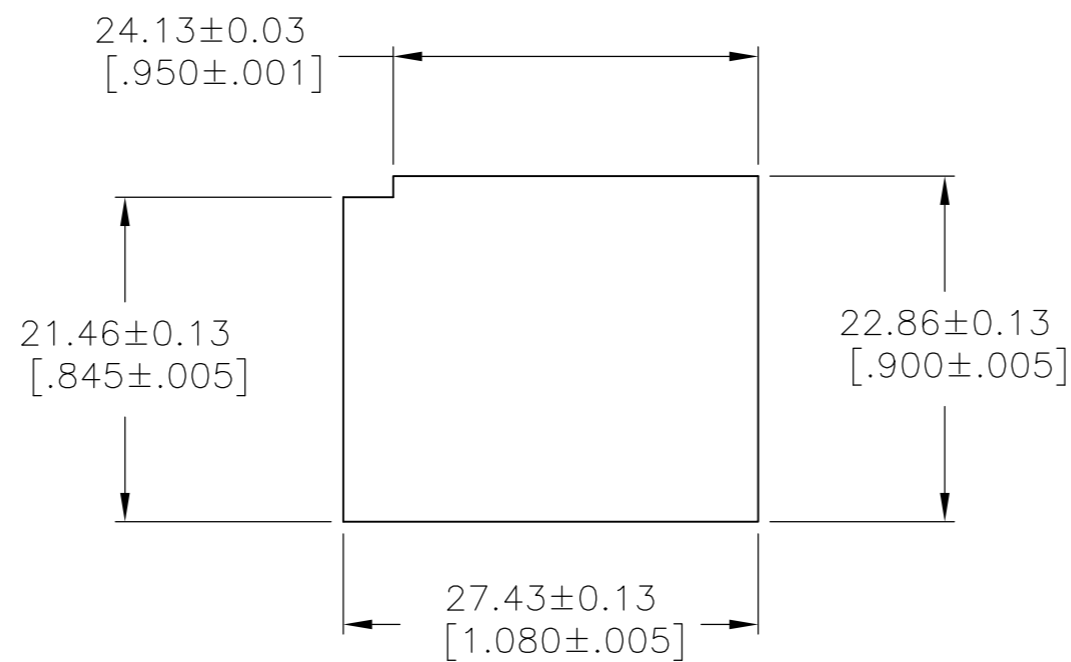
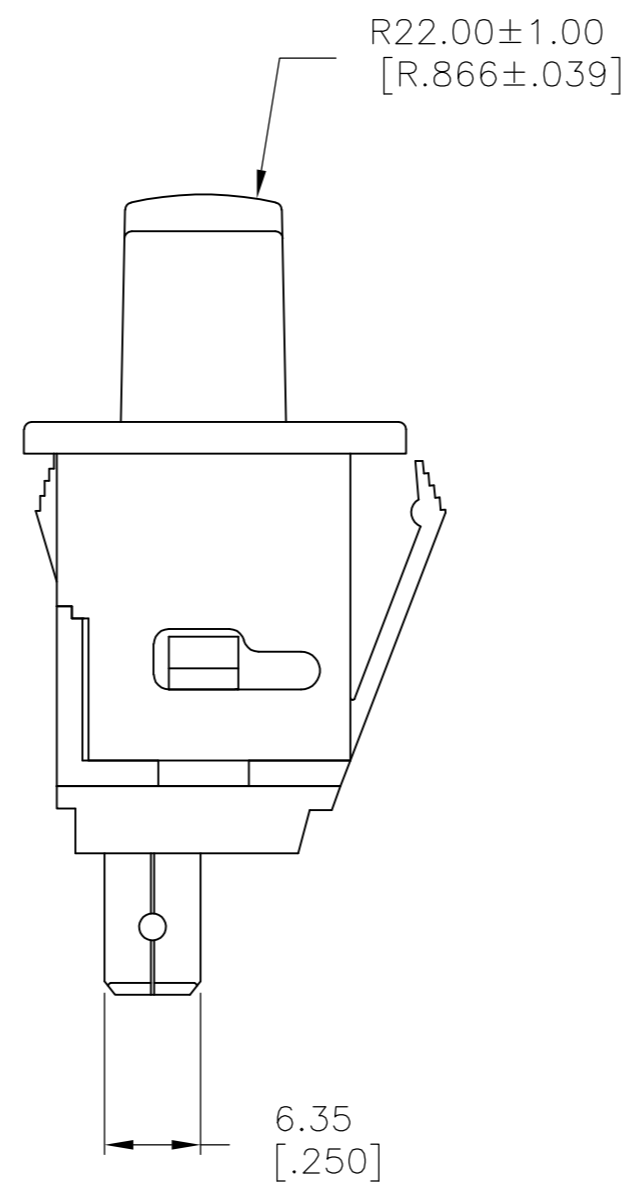
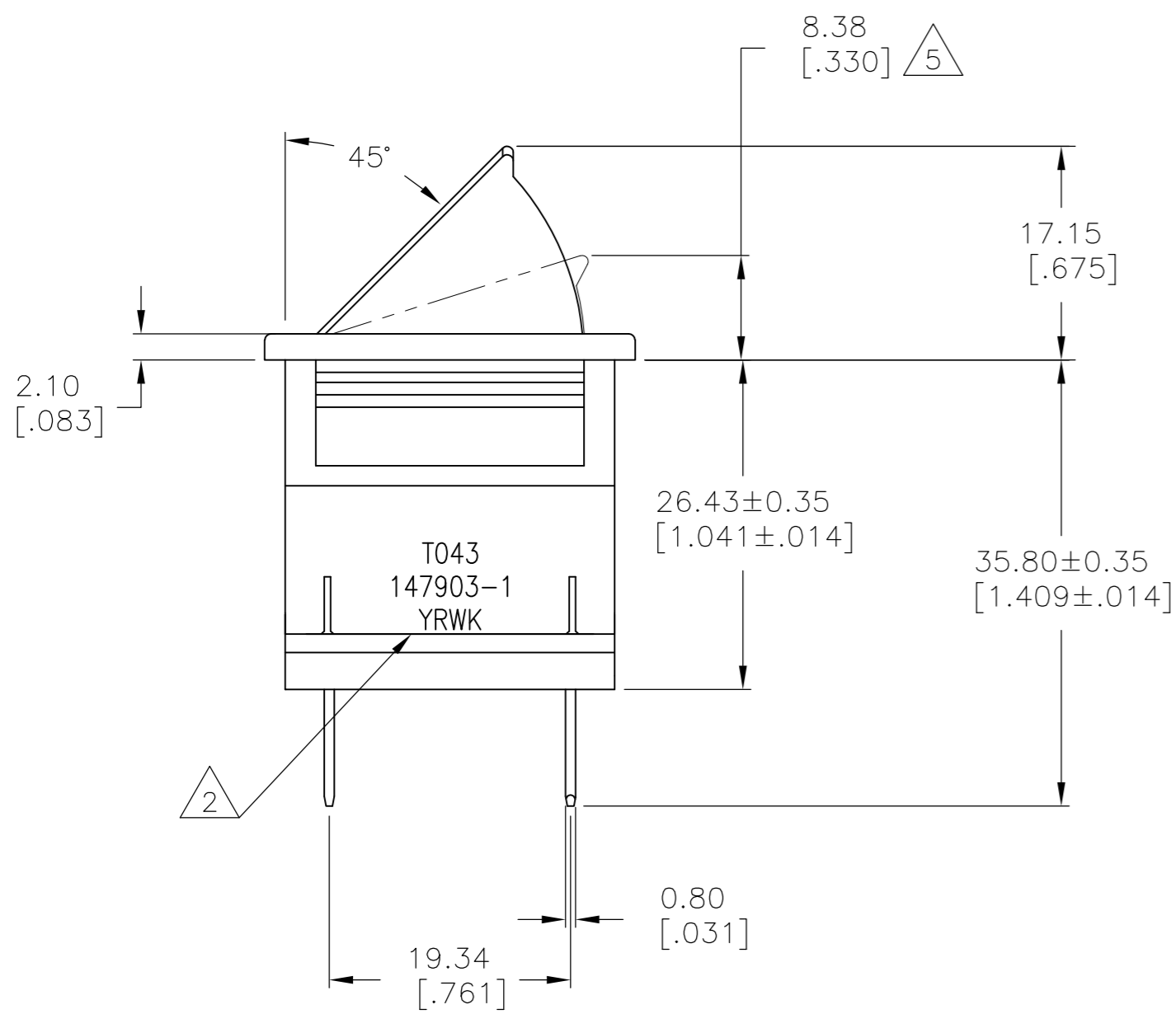
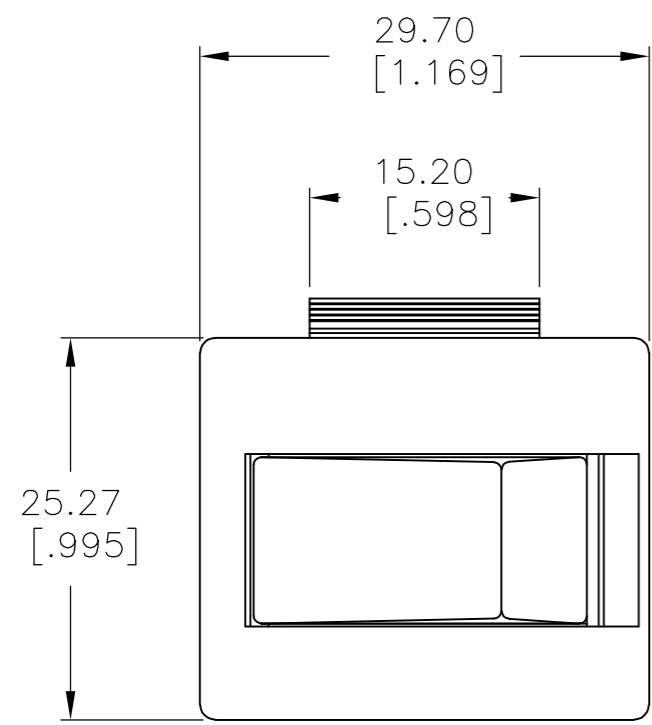
REVISIONS					
P	LTR	DESCRIPTION	DATE	DWN	APVD
B2		REVISED PER ECO-15-005980	21APR2015	NK	RH
B3		REVISED PER ECO-16-017354	03MAR2017	RK	AS

CIRCUIT DIAGRAM



N/O, PUSH ON

Rating	21A 125-250VAC 3/4 HP 125-250VAC
Contact R	50 mohm Max.
Insulation R	DC 500V, 100M ohm Min.
Dielectric Strength	AC 1500V, 1 minute
Operation Temperature	-20°C ~ +85°C



- 1 MATERIAL: HOUSING AND ACTUATOR: NYLON 6/6 BLACK,94V-2. PLUNGER: BRASS ALLOY PER ASTM B016. TERMINALS: BeCu ALLOY PER ASTM B196. CONTACTS: SILVER-TIN OXIDE
- 2 INK STAMP AS SHOWN (TEXT HEIGHT 1.6±0.25MM): PART NUMBER & DATE CODE (YEAR & WEEK).
- 3 OPERATING FORCE 425 GRAM (15 OZ.) MAX.
- 4 ELECTRICAL RATINGS, APPROVED AGENCY LOGOS, COUNTRY OF ORIGIN, AND TE LOGO PER TEC-202-36 APPROXIMATELY AS SHOWN.
- 5 MINIMUM CONTACT ENGAGEMENT
- 6 COMPONENT RECOGNIZED TO US AND CANADIAN STANDARDS, UL FILE NO. E46765

OBSOLETE	NORMALLY CLOSED	147903-2
	NORMALLY OPEN	147903-1
	FUNCTION	PART NUMBER

THIS DRAWING IS A CONTROLLED DOCUMENT.		DWN M.BINNER 06JAN05		
DIMENSIONS: mm [INCHES]		CHK D.ROHDE 06JAN05		
TOLERANCES UNLESS OTHERWISE SPECIFIED:		APVD -	NAME	
0 PLC ± -	1 PLC ± -	PRODUCT SPEC -	NON-SNAP ACTION SWITCH	
2 PLC ± 0.10[.004]	3 PLC ± -	APPLICATION SPEC -	NORMALLY OPEN, 21A 125-250VAC	
4 PLC ± -	ANGLES ± 2°	WEIGHT	SIZE A2	CAGE CODE 00779
MATERIAL	FINISH	CUSTOMER DRAWING	DRAWING NO. C=147903	RESTRICTED TO -
1	-	SCALE 2:1	SHEET 1 of 1	REV B3

X-ON Electronics

Largest Supplier of Electrical and Electronic Components

Click to view similar products for [Rocker Switches](#) category:

Click to view products by [TE Connectivity](#) manufacturer:

Other Similar products are found below :

[VKD2GHNB-00000-000](#) [VSD2GNNB-00000-000](#) [6-1571986-5](#) [6-1571986-9](#) [8055K52Z7V](#) [8138K20E6M50](#) [FMC18A2200002](#) [84206L](#)
[84312LX](#) [PREDD4-07F-BB0FW](#) [PREDD5-07F-BB0GW](#) [PRFDD1-16F-BB000](#) [PRFDD3-16F-BB000](#) [1-1634201-0](#) [999-16702-001](#)
[A101J2ZQ004](#) [A101J4ZQ004](#) [A101J51CB0004](#) [A107J51ZQ0004](#) [A201J1AQ004](#) [A201J1AV2Q004](#) [A201J3ZB004](#) [A201J50ZQ004](#)
[A203J51ZQ0004](#) [A226L11YZQ](#) [A22L11A](#) [A435S1YZQ](#) [H8500XBBBBL-A](#) [H8653VBBG2577W](#) [HB130CHNWWNAAC](#) [1251.0303](#)
[AE205J60V3B004](#) [RH110C2NBB](#) [1352.0107](#) [1363.0201](#) [AML25GBF2AA03GR](#) [1571099-3](#) [1571987-4](#) [1571987-5](#) [1571989-7](#)
[B123J77V7B2](#) [B226J50W4Q22P](#) [B433J37ZQ22M](#) [160212E](#) [1801.1164](#) [1831.1102](#) [1833.3402](#) [1837.1118](#) [1838.8302](#) [1839.1502](#)