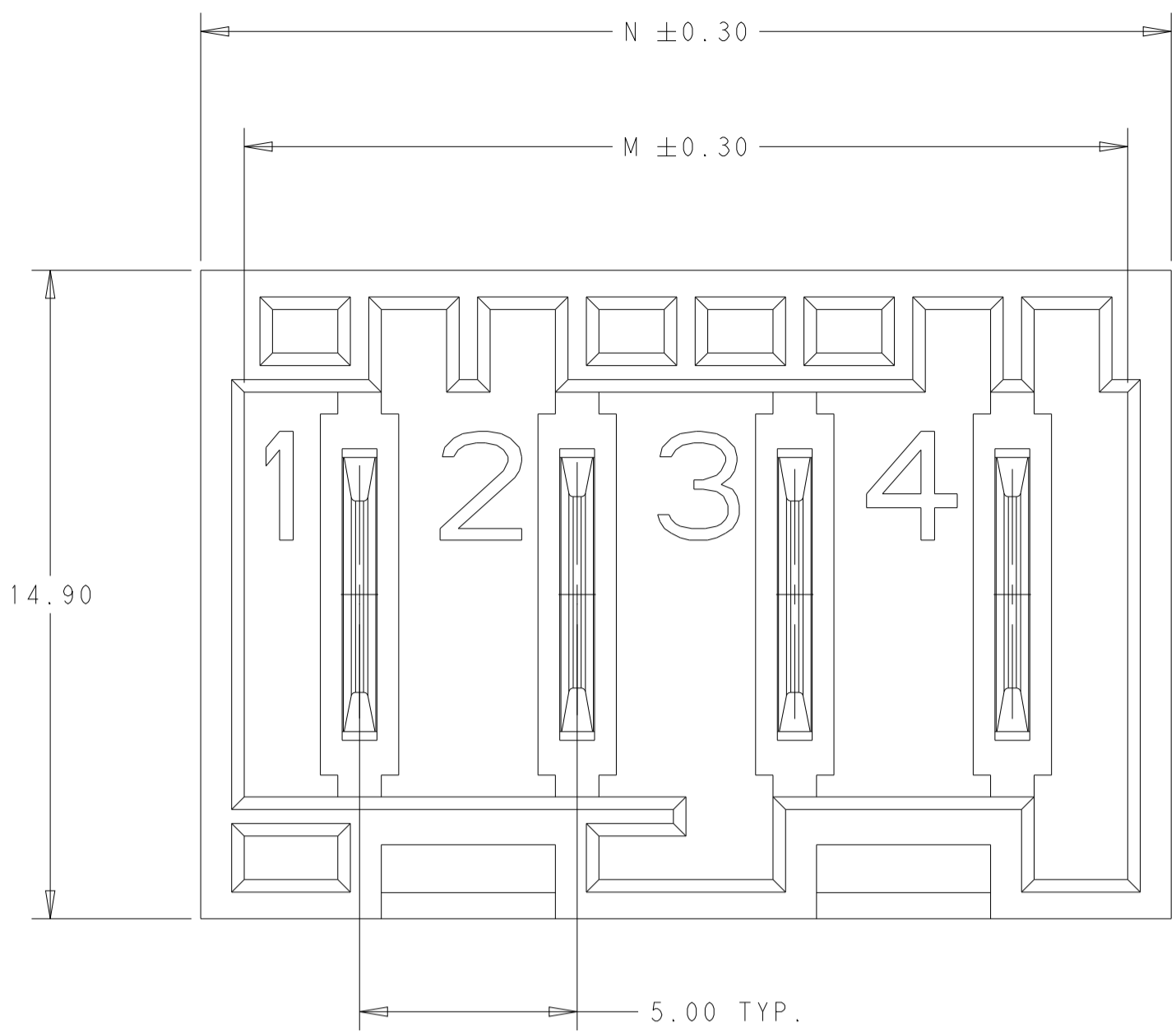
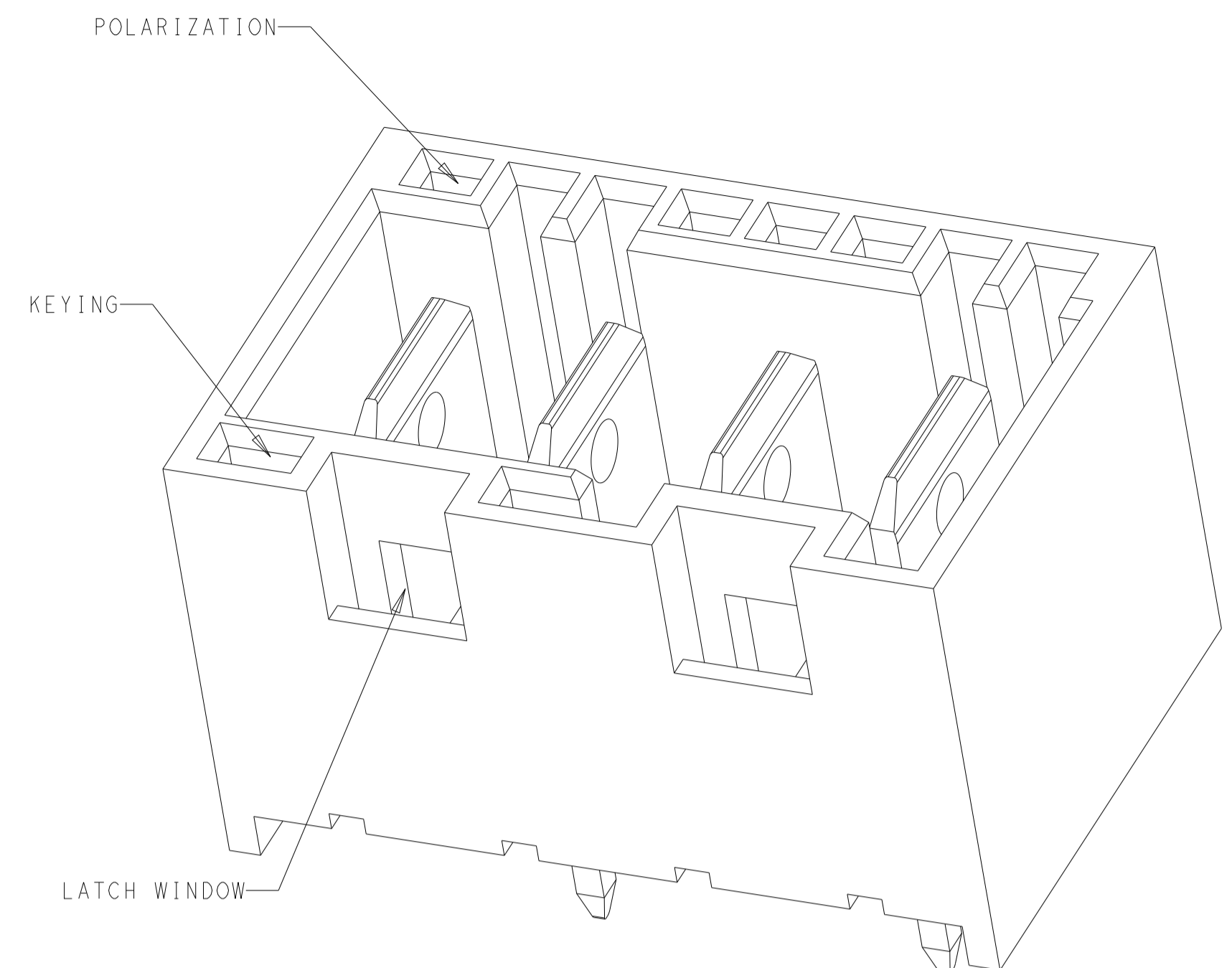
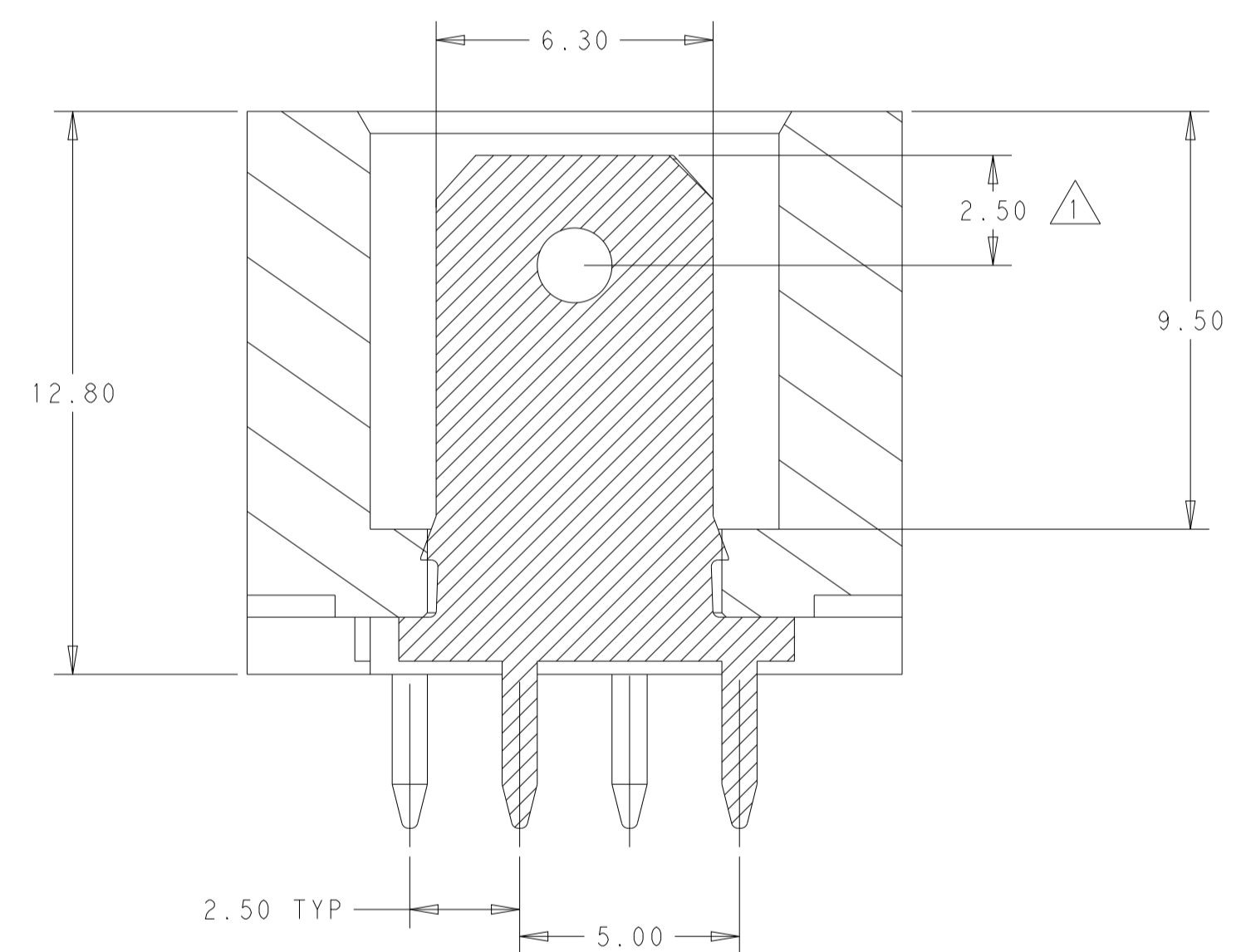
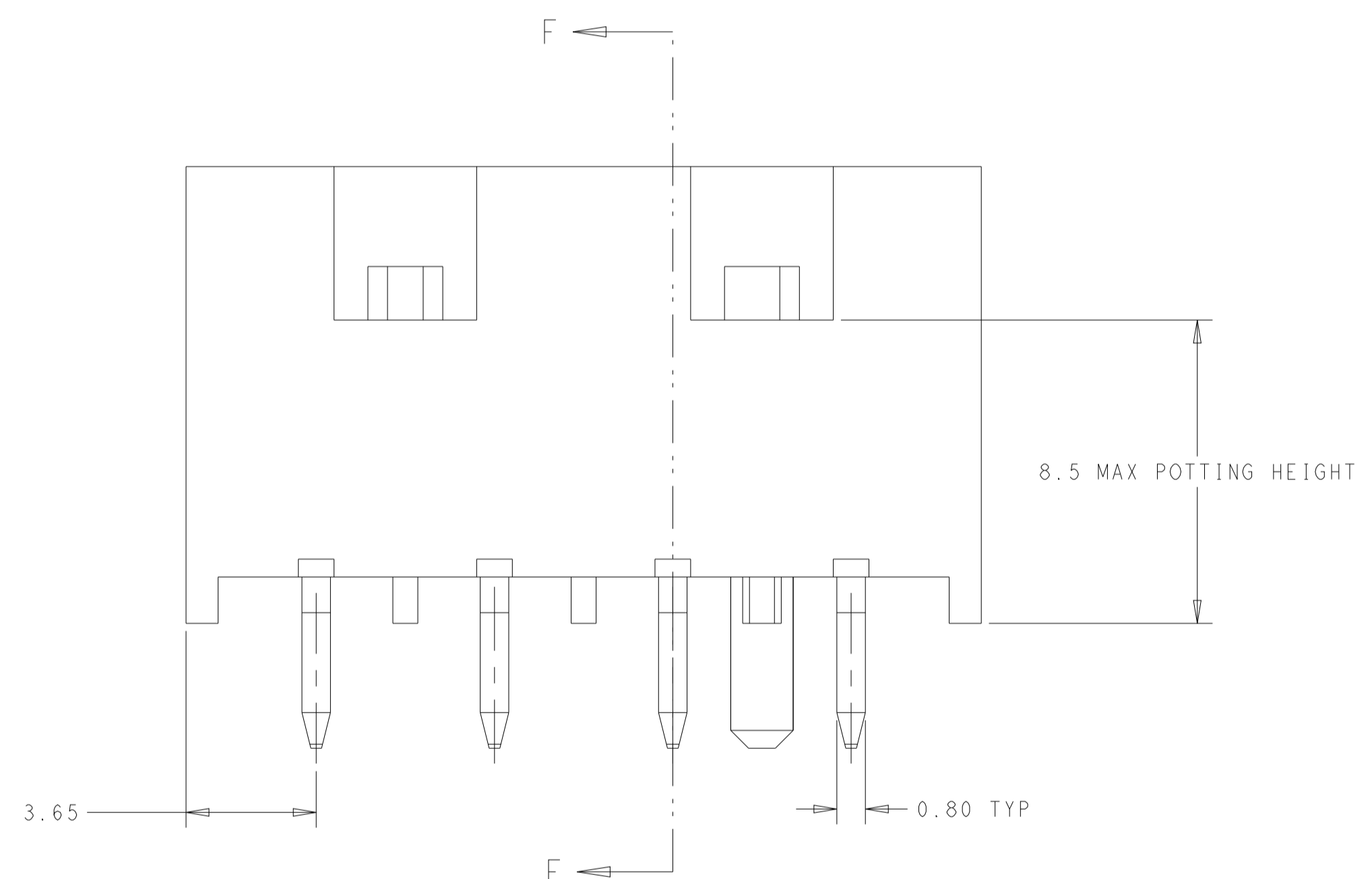
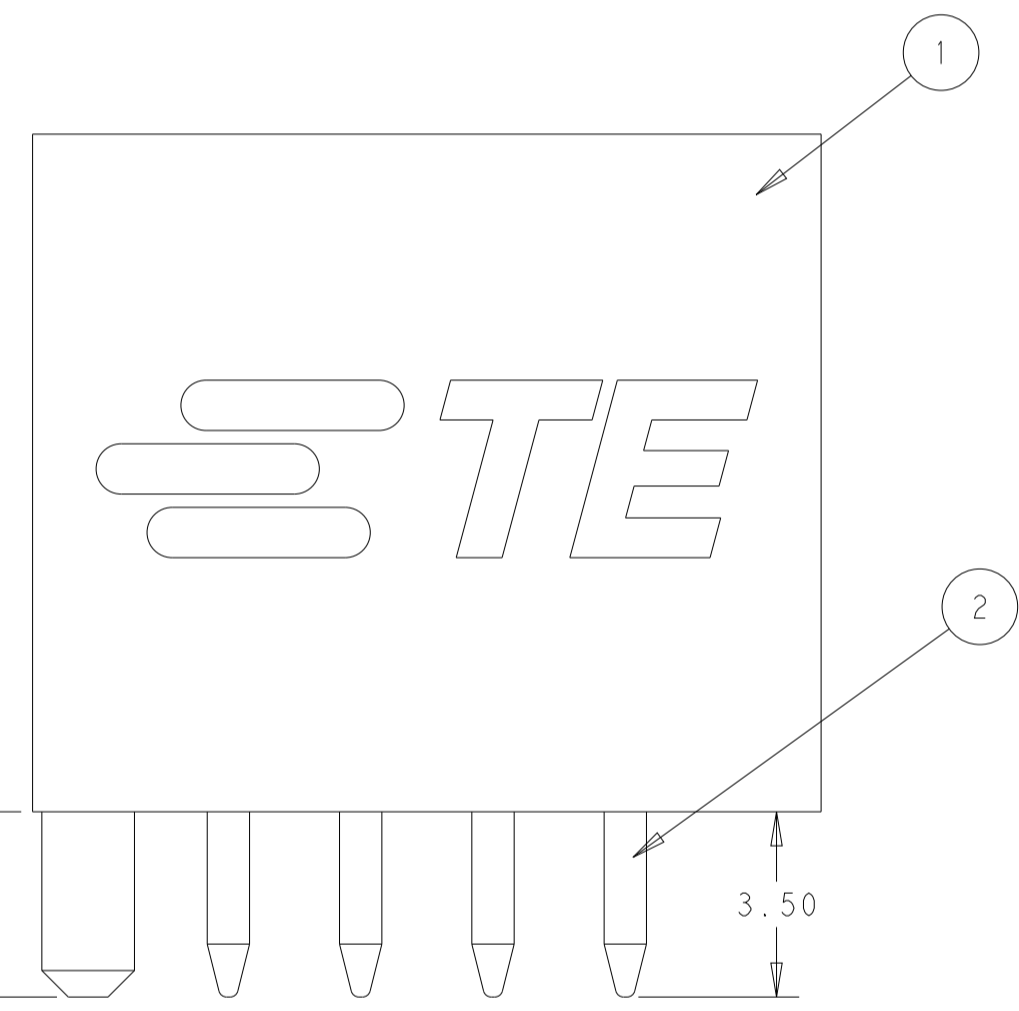


REVISIONS					
P	LTM	DESCRIPTION	DATE	DWN	APVD
A6	ECR-20-100547		16OCT2020	LZ	FL
B	ECR-21-100869		31MAR2021	PJ	FL
B1	ECR-21-105673		06JUL2021	LZ	FL
B2	ECR-21-118862		10NOV2021	SM	FL

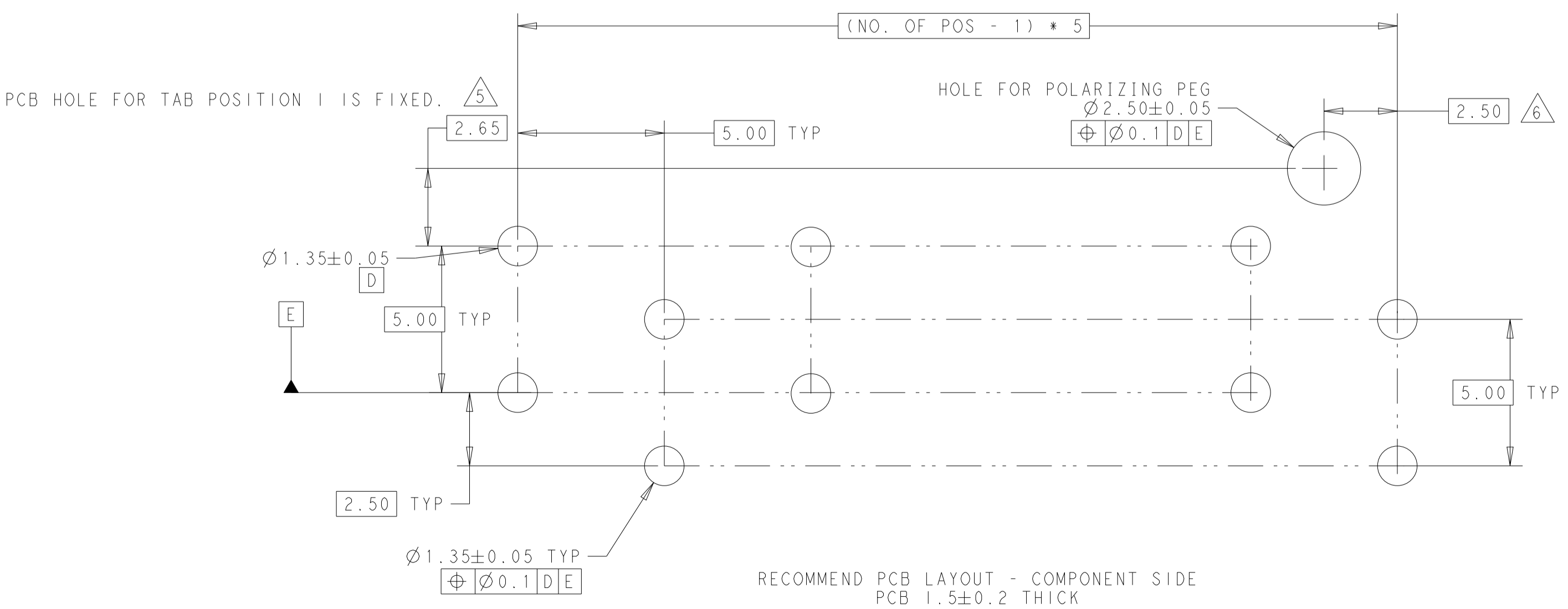


NOTES:

- 1 HOUSING HAS RAST 5 COMPLIANT KEYING, LATCHING, AND POLARIZATION TAB IS 6.30 X 0.8, HOWEVER THE LOCATION OF THE TAB HOLE DOES NOT MEET DIN 46244
- 2 SEE SHEET 2 FOR AVAILABLE CONFIGURATIONS
- 3 MATERIAL: HOUSING, NYLON, UL94 V0, 750°C GWT NO FLAME
CONTACT: COPPER ALLOY, 0.8MM THICK
- 4 FINISH: CONTACTS, MATTE TIN PLATING OVERALL, NICKEL UNDER-PLATING
- 5 INVOLVED PARTS NOT HAVE THE SAME PCB LAYOUT AS GENERAL VERSION. PCB TABS INSERTED IN A STAGGERED PATTERN BEGINNING WITH POSITION 1 AS SHOWN (PCB HOLE POSITION FOR TAB 1 IS FIXED).
- 6 DIMENSION OFF OF LAST POSITION REGARDLESS OF EVEN OR ODD POSITION HEADER
- 7 PACKAGING: LOOSE PIECE
- 8 PRELIMINARY PART - NOT RELEASED FOR PRODUCTION THIS PRODUCT HAS NOT COMPLETED QUALIFICATION TESTING
- 9 INVOLVED PARTS HAVE NOT THE SAME PCB LAYOUT



SECTION F-F



TOOL MARK ON TERMINAL SURFACE IS ACCEPTABLE WHICH DOES NOT IMPACT FUNCTION

25.30	27.30	5
20.30	22.30	4
15.30	17.30	3
10.30	12.30	2
M	N	NO. OF POS.

THIS DRAWING IS A CONTROLLED DOCUMENT.

DIMENSIONS: mm

TOLERANCES UNLESS OTHERWISE SPECIFIED:

0 PLC	±
1 PLC	±0.25
2 PLC	±
3 PLC	±
4 PLC	±
ANGLES	±3°
FINISH	

MATERIAL: SEE NOTES

THIS DRAWING IS A CONTROLLED DOCUMENT. DWN: J. POTERJOY 09APR2015, CHK: F. LUPO 09APR2015, APVD: R. ROBONE 09APR2015

NAME: RAST 5 HDR ASSY, POSITIVE-LOCK SHROUDED, VERTICAL

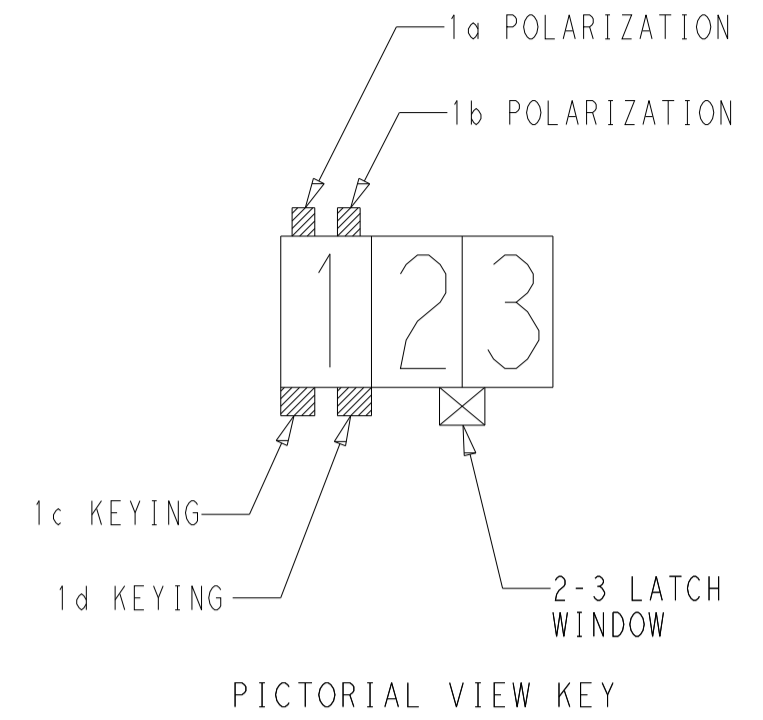
SIZE: A1, CAGE CODE: - , DRAWING NO: 108-106080, APPLICATION SPEC: -

WEIGHT: -

CUSTOMER DRAWING

SCALE: 7:1, SHEET: 1 OF 2, REV: B3

REVISIONS				
P	LTN	DESCRIPTION	DATE	APVD
-		SEE SHEET 1	-	-



	NATURAL	5	POSITIVE-LOCK TAB CONTACT WITH MATTE TIN PLATING	1	RAST 5 TAB HEADER HOUSING	5	1-2292457-5	/		
	NATURAL	5					1	5	2292457-5	/
	NATURAL	4					1	4	3-2292457-4	3-2390868-4
	NATURAL	4					1	4	1-2292457-4	/
	NATURAL	4					1	4	2292457-4	2390868-4
	NATURAL	3					1	3	1-2292457-3	/
	NATURAL	3					1	3	2292457-3	2390868-3
	BLACK	2					1	2	3-2292457-2	/
	NATURAL	2					1	2	1-2292457-2	1-2390868-2
	NATURAL	2					1	2	2292457-2	2390868-2
LAYOUT	COLOR	QTY	TAB CONTACT	QTY	HEADER HOUSING	NO. OF POS	RESIN A	RESIN B		
							TE PART NO.			

THIS DRAWING IS A CONTROLLED DOCUMENT.

DIMENSIONS: mm

TOLERANCES UNLESS OTHERWISE SPECIFIED:

0 PLC	±
1 PLC	±0.25
2 PLC	±
3 PLC	±
4 PLC	±
ANGLES	±3°
FINISH	

MATERIAL: SEE NOTES

SEE NOTES

APR 09 09APR2015 J. POTERJOY

APR 09 09APR2015 F. LUPO

APR 09 09APR2015 R. ROBONE

NAME: RAST 5 HDR ASSY, POSITIVE-LOCK SHROUDED, VERTICAL

PRODUCT SPEC: 108-106080

APPLICATION SPEC:

SIZE: A1

CAGE CODE: -

DRAWING NO: C=2292457

RESTRICTED TO:

WEIGHT: -

CUSTOMER DRAWING

SCALE: 7:1

SHEET: 2 OF 2

REV: B3

TE Connectivity

X-ON Electronics

Largest Supplier of Electrical and Electronic Components

Click to view similar products for [Headers & Wire Housings](#) category:

Click to view products by [TE Connectivity](#) manufacturer:

Other Similar products are found below :

[892-18-020-10-001101](#) [0010894062](#) [0010977306](#) [0015477636](#) [0015917161](#) [0022104068](#) [0022121042](#) [0022155065](#) [0022281023](#) [57102-F02-18ULF](#) [58102-G61-06LF](#) [582553-1](#) [0015911208](#) [01.001.5753.1](#) [0022285048](#) [0050291907](#) [02.125.8002.8](#) [CSU011177004](#) [622-0430](#) [622-3653LF](#) [63453-116](#) [636-1030](#) [636-1427](#) [636-3427](#) [636-4007](#) [641938-9](#) [65495-038](#) [65692-001LF](#) [65781-018](#) [65781-047](#) [65817-010LF](#) [65817-015LF](#) [67095-007LF](#) [67601157](#) [68631-112](#) [68645-018](#) [699319-000](#) [70.362.1628.0](#) [70-4210](#) [70-4226B](#) [70-4853B](#) [707-5028](#) [71.350.2428.0](#) [733-134](#) [733-162](#) [760-3052](#) [MHR-64-VUAL](#) [80.063.4001.1](#) [800-90-001-10-001000](#) [801-43-002-10-013000](#)