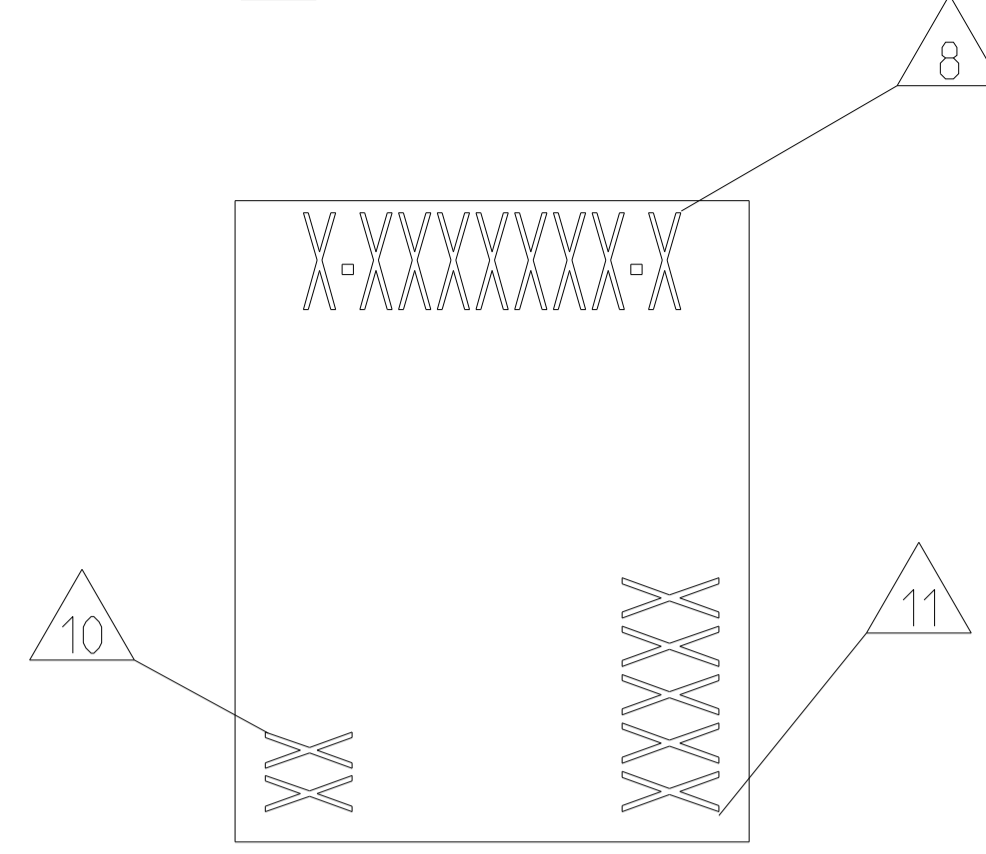
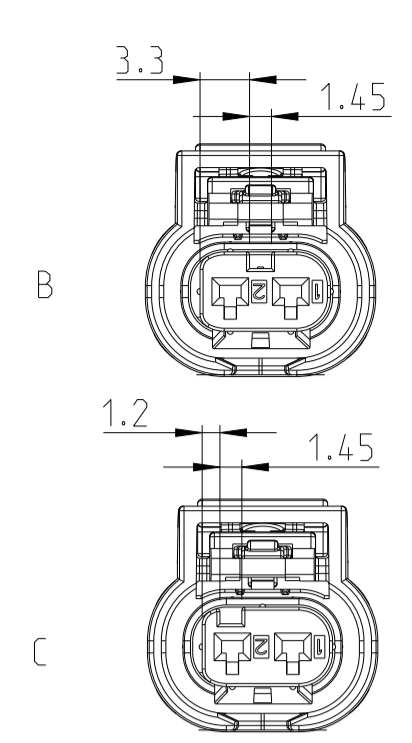


REVISIONS				
P	LTN	DESCRIPTION	DATE	APVD
A3		INITIAL VERSION	10FEB2022	LSZ SZN
A4		NOTES UPDATED	07MAR2023	LSZ SZN
B		NEW CPA DESIGN	25APR2024	LSZ SZN

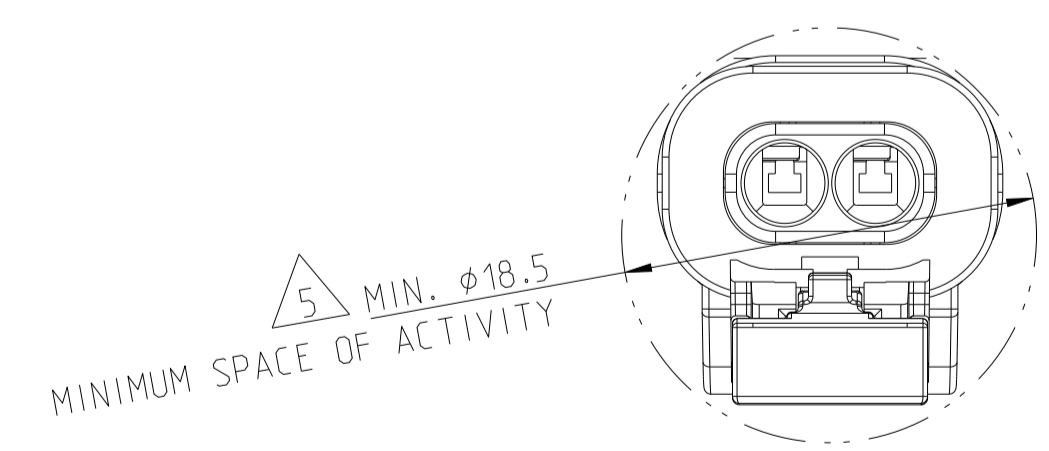
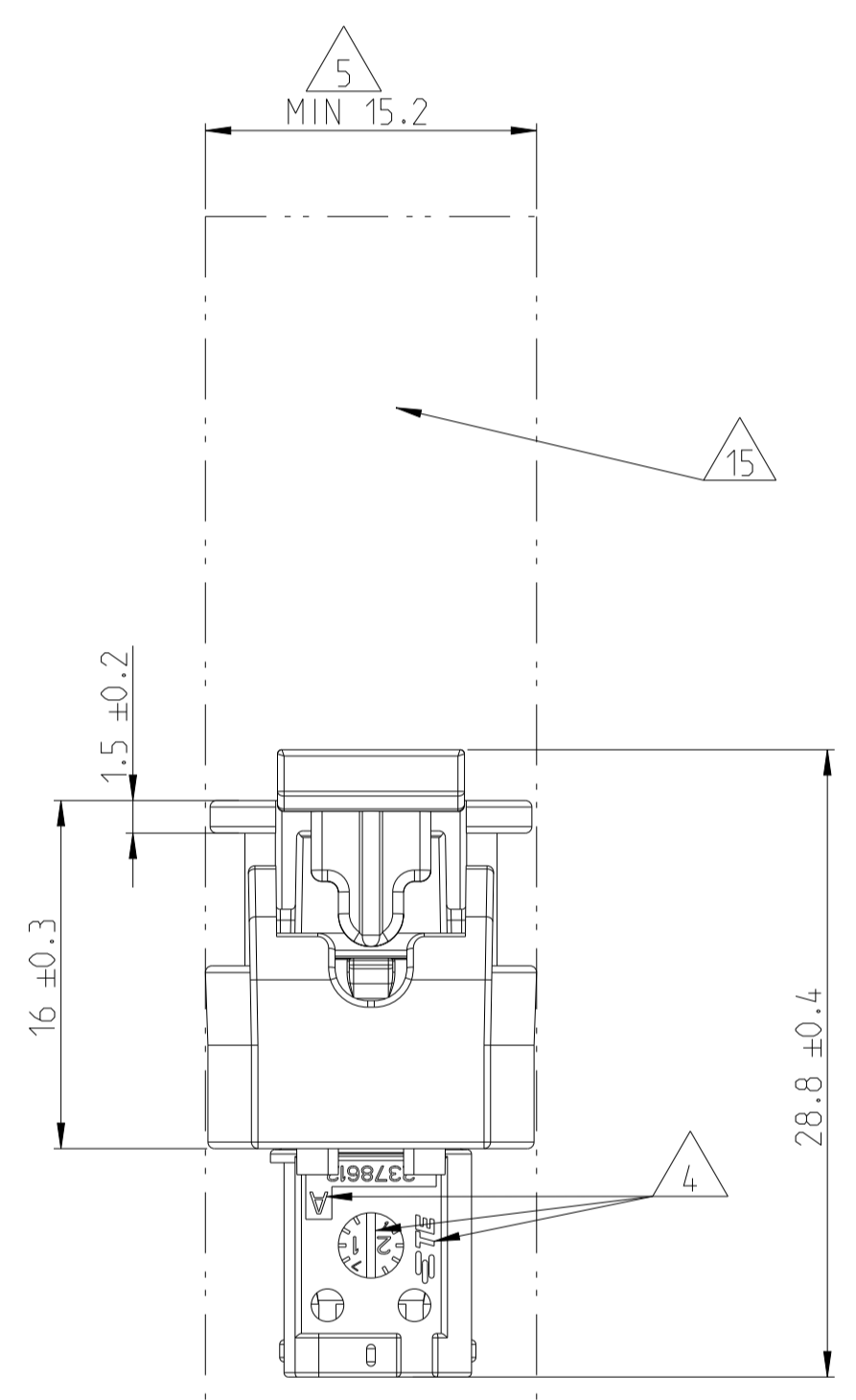
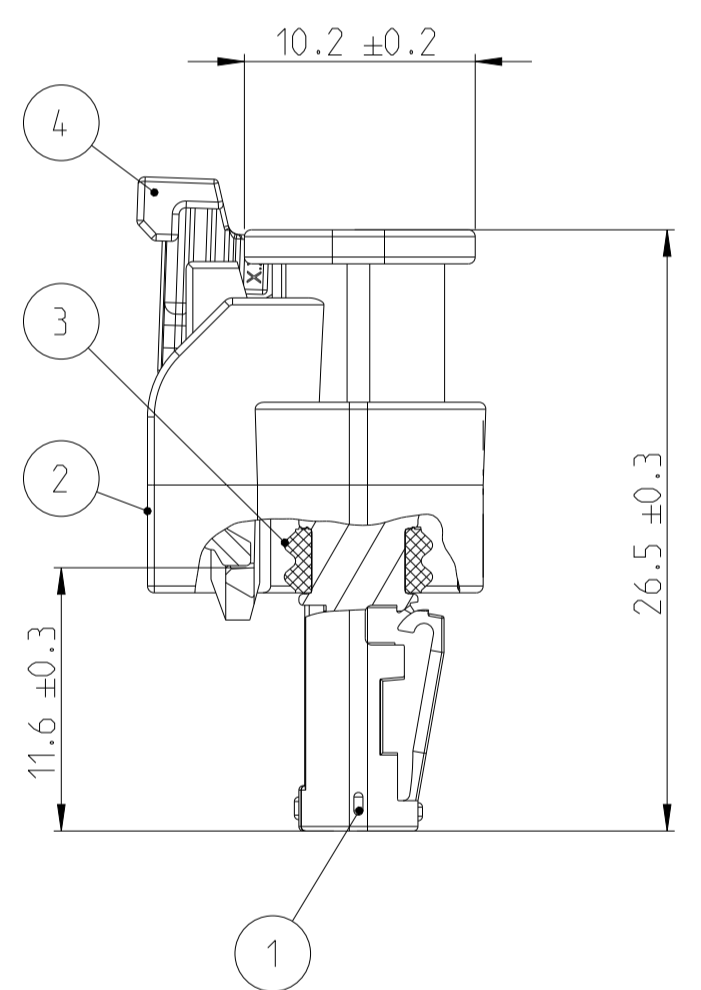
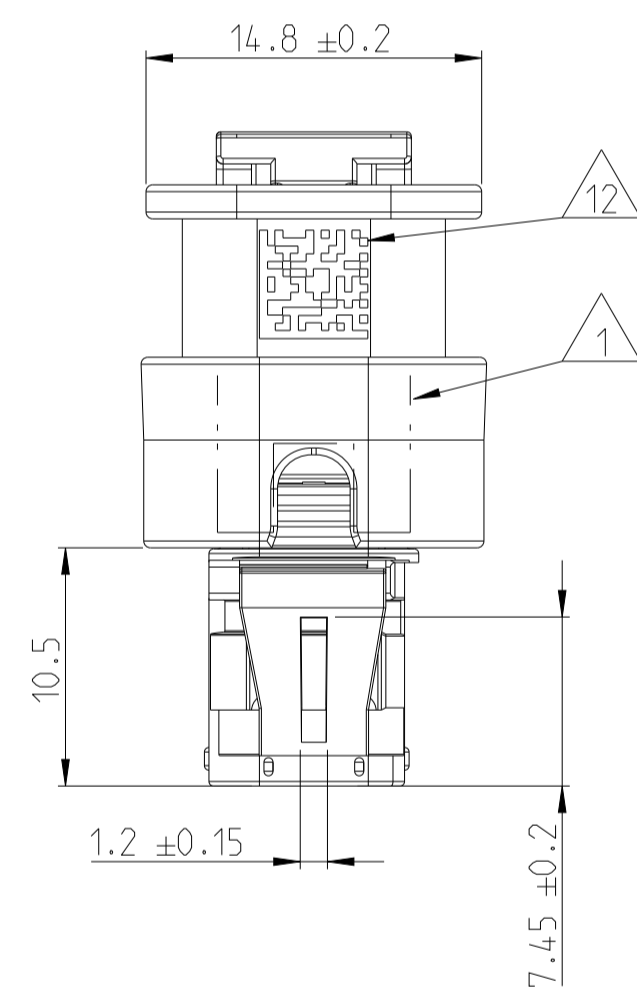
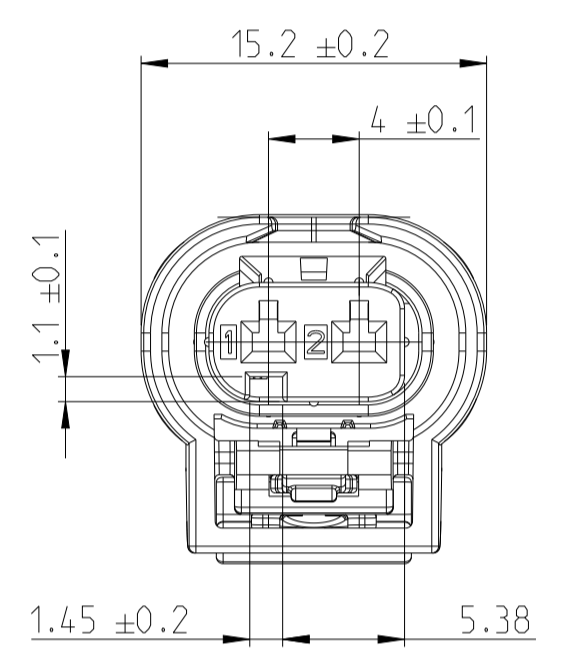
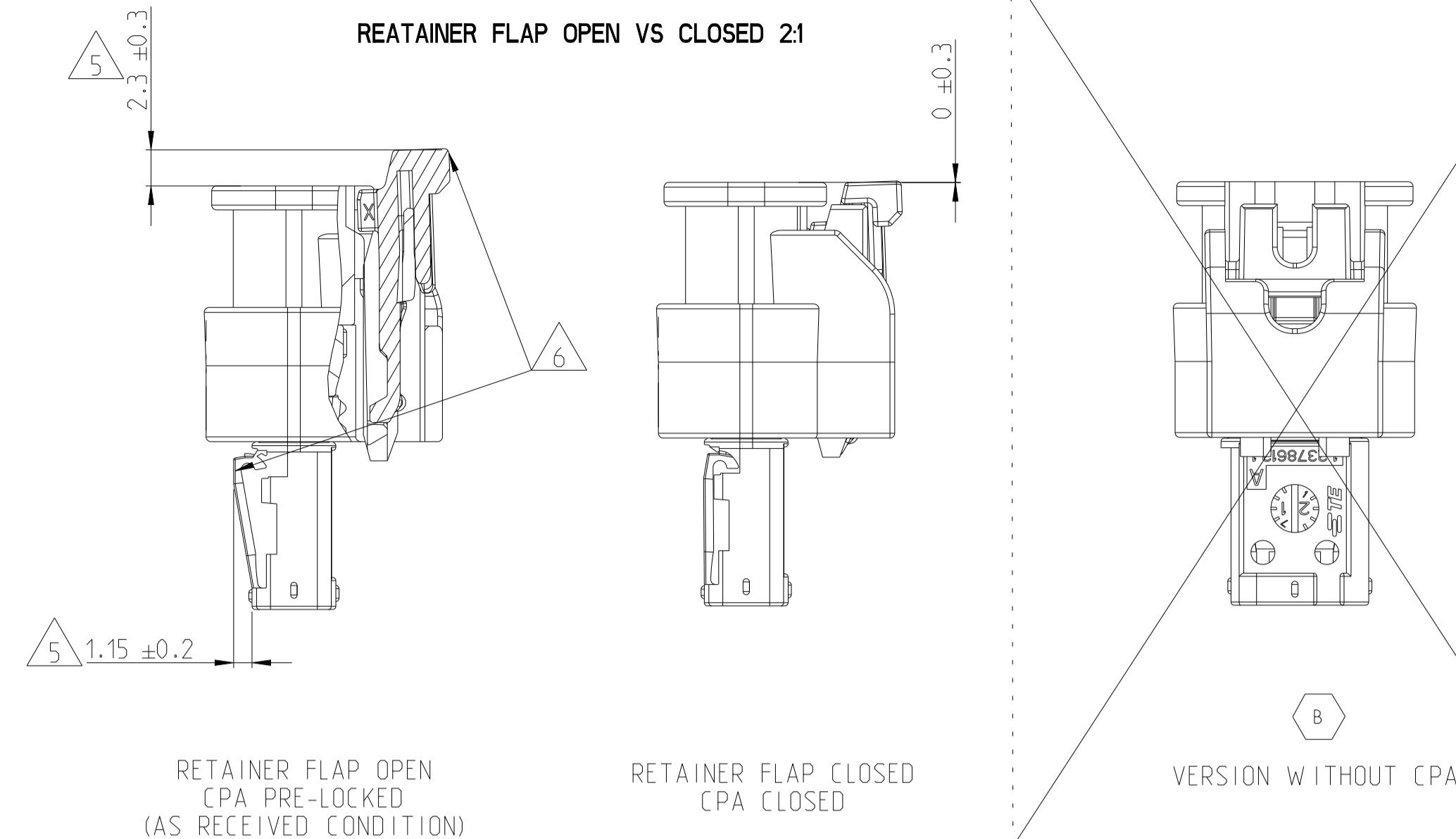
**1 LASER PRINT:**



**CODINGS 2:**



**REATAINER FLAP OPEN VS CLOSED 2:**

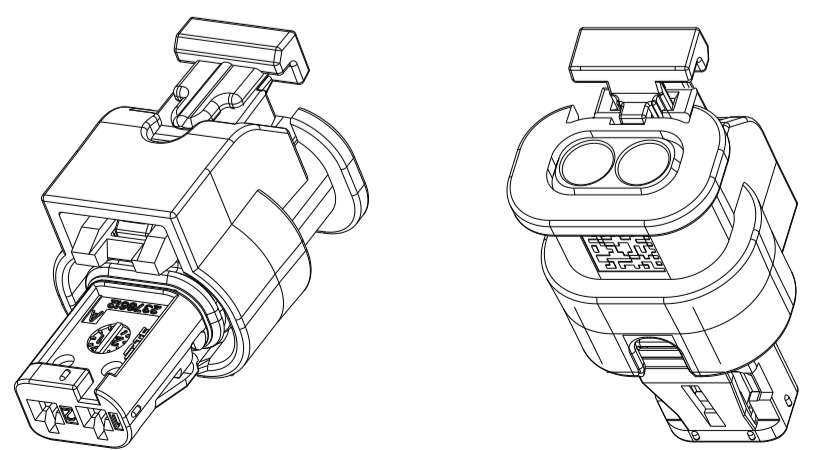


**NOTES:**

- 1 AREA FOR LASER PRINT
- 2 USABLE CONTACTS MCON 1.2 LL SEE TE-NO. 1452674
- 3 SEE PRODUCT SPECIFICATION NO.108-18782 FOR THE FOLLOWING PRODUCT PROPERTIES:  
 -MAX. WIRE SIZE RANGE PERMITTED  
 -PERMISSIBLE CURRENT CARRYING CAPACITY OF THE SINGLE CONTACT  
 -MAX OPERATING VOLTAGE  
 -VIBRATION RESISTANCE  
 -MAX OPERATING TEMPERATURE  
 MAX OPERATING TEMPERATURE 130°C
- 4 SUPPLIER-MARK (ONLY FOR TE CONNECTIVITY INTERNAL TRACKING)
- 5 SPACE OF ACTIVITY
- 6 SUPPLY CONDITION: CPA (4) AND RETAINER FLAP (1) IN PRELOCKED POSITION
- 7 WARPAGE PERMITTED TO MAX. -0.5mm
- 8 TE ORDER-NO.
- 9 ACCORDING TO INTERFACE DRAWING SEE TE-NO. 114-18679-3
- 10 ASSEMBLY LINE SEGMENT IDENTIFICATION
- 11 DATE CODE (DDYY)
- 12 QR CODE:  
 FIRST ROW: MANUFACTURING INFORMATION ONLY FOR TE CONNECTIVITY  
 SECOND ROW: TE.COM ONLINE CATALOG LINK FOR CUSTOMER
- 14 THE MARKING ON THE COMPONENTS MAY VARY IN THE SAME BATCH TOO IT DOES NOT SERVE ANY FUNCTION IT IS ONLY USED FOR TE CONNECTIVITY INTERNAL TRACKING FOR VALID CUSTOMER TRACKING PLEASE USE THE LASER PRINT - SEE NOTE 1
- 15 PLEASE CARRY OUT THE CLEARANCE TEST FOR THE SOCKET HOUSING BASED ON THE WIRE SIZE USED
- 16 SECONDARY LOCK THAT HAVE BEEN CLOSED DURING TRANSPORT CAN BE MOVED BACK TO PRE-LOCKED POSITION ACCORDING TO INSTRUCTIONS FOUND IN THE APPLICATION SPEC. NO 114-94767
- 17 CONTACT TE SALES REPRESENTATIVE FOR ACTIVATION OF CROSSED OUT VERSIONS

1-2378602-1 AS SHOWN

REV	QTY	DESCRIPTION	MATERIAL	COLOUR	ITEM NO		
-	1	1	1	CPA MCON 1.2 NEXTGEN	PBT-GF30	RED	4
1	1	1	1	2POS MCON 1.2 - SEAL	SILOPREN LSR	BLUE	3
1	1	1	1	2POS, NEXTGEN MCON 1.2LL REC HSG,SLD, - PROTEC. COVER	PA6-GF15	BLACK	2
-	1	-	-	2POS NEXTGEN MCON 1.2LL REC HSG,SLD, - CODE C	PBT-GF20	BLUE	1
-	1	-	-	2POS NEXTGEN MCON 1.2LL REC HSG,SLD, - CODE B	PBT-GF20	BROWN	1
1	-	-	1	2POS NEXTGEN MCON 1.2LL REC HSG,SLD, - CODE A	PBT-GF20	BLACK	1



3D VIEW 2:

DIMENSIONS: mm		TOLERANCES UNLESS OTHERWISE SPECIFIED: 0 PLC ±0.4 1 PLC ±0.1 2 PLC ±0.01 3 PLC ±0.001 4-PLC ±0.0001 ANGLES FINISH		THIS DRAWING IS A CONTROLLED DOCUMENT. DWG: Szelely Lehel 29 JUN 2021 CHK: Nemesz Szilard 10 FEB 2022 APVD: Gáspár Szabolcs 15 FEB 2022 PRODUCT SPEC: 108-94874 APPLICATION SPEC: 114-94767		NAME: 2POS, NEXTGEN, MCON 1.2 LL REC SEALED SIZE: A1 CAGE CODE: 00779 DRAWING NO: C=2378602 SHEET: 1 OF 1 REV: B	
MATERIAL: See: Parts List		WEIGHT: - CUSTOMER DRAWING		RESTRICTED TO: - SCALE: 4:1		REVISIONS: -	

## X-ON Electronics

Largest Supplier of Electrical and Electronic Components

*Click to view similar products for [Automotive Connectors](#) category:*

*Click to view products by [TE Connectivity](#) manufacturer:*

Other Similar products are found below :

[72.330.1035.1](#) [776880-1](#) [827153-1](#) [9-1326729-8](#) [9-221607-5](#) [925474-1](#) [968782-1](#) [98891-1012](#) [12004468](#) [12004475-L](#) [12004483](#) [12033816](#)  
[12052466](#) [12066163](#) [12015909](#) [12077753](#) [12047958](#) [12084688](#) [12336-12](#) [12343-16-20](#) [13681974](#) [13688972](#) [13779834](#) [13796274](#)  
[13843152](#) [13667961](#) [13669624](#) [13753471](#) [13946876](#) [13955963](#) [13971791](#) [13790534-L](#) [13797473](#) [13805590](#) [13888202](#) [1428188-1](#)  
[1437287-3](#) [1428188-2](#) [DS07-19S-5020](#) [1456987-7](#) [APD-7CP-H](#) [APK-SB25A10L](#) [1452931-2](#) [15317331](#) [15326397](#) [15336198](#) [15435215](#)  
[15459772](#) [15305306](#) [15396680](#)