

THIS DRAWING IS UNPUBLISHED.

RELEASED FOR PUBLICATION

20

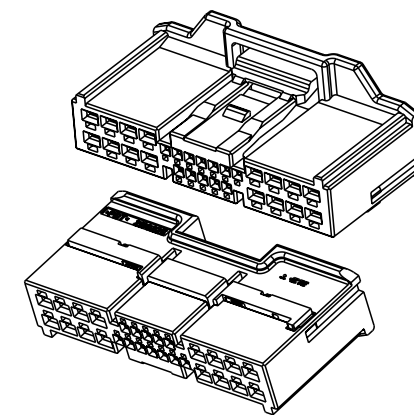
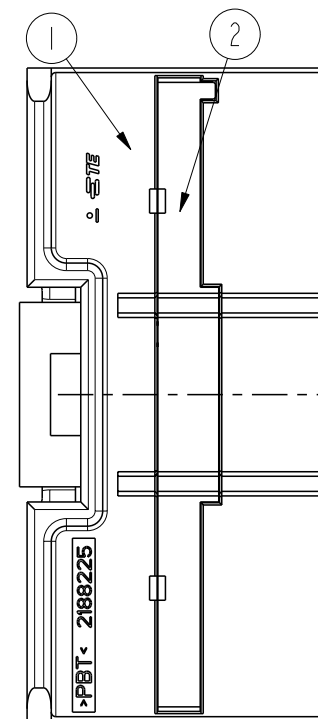
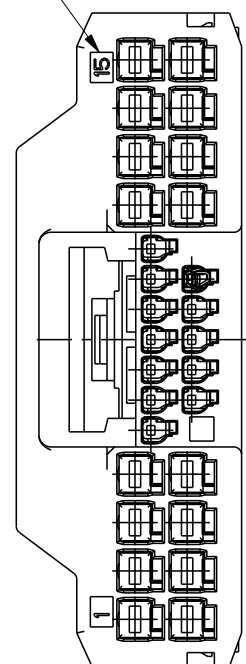
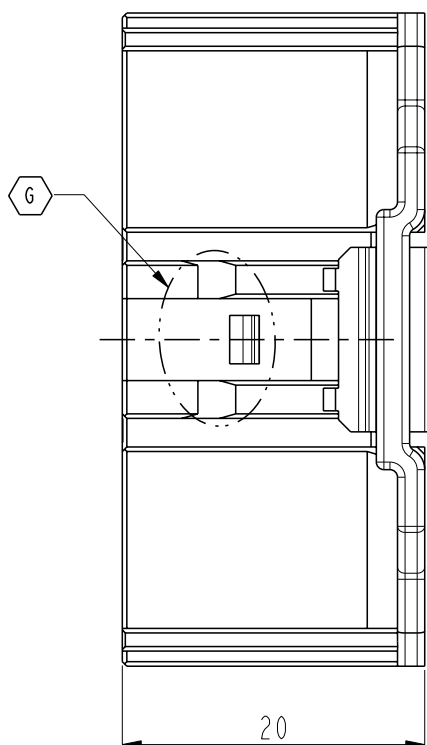
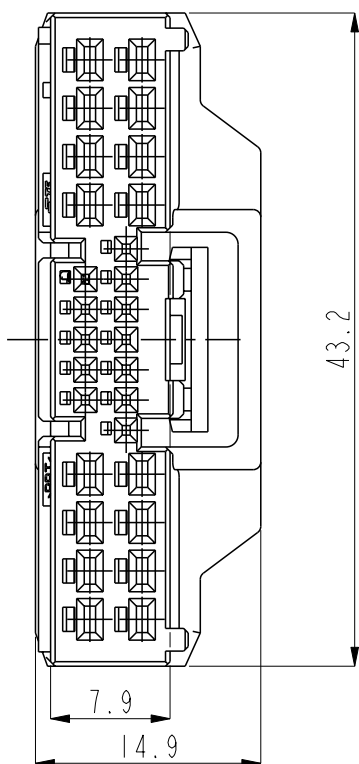
© COPYRIGHT 20 BY -

ALL RIGHTS RESERVED.

REVISIONS

P	LTR	DESCRIPTION	DATE	DWN	APVD
G		REVISED (ECR-23-167691)	01SEP'23	BH	KT

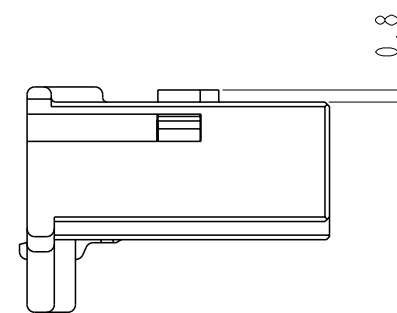
CIRCUIT NUMBER.



SCALE 1:1



P/NO	2188225-1	1-2188225-2	2-2188225-1	3-2188225-2	4-2188225-8	5-2188225-6	6-2188225-5	7-2188225-7
TYPE	AI	A2	B1	B2	C1	C2	D1	D2
SHAPE								



NO	COLOR	MATERIAL	DESCRIPTION	Q'TY
2	BLACK	PBT	DBL HSG	-
	NATURAL	PBT	DBL HSG	-
	GREEN	PBT	28P PLUG HSG(D2)	-
	YELLOW	PBT	28P PLUG HSG(D1)	-
	RED	PBT	28P PLUG HSG(C2)	-
	BLUE	PBT	28P PLUG HSG(C1)	-
	BROWN	PBT	28P PLUG HSG(B2)	-
	GRAY	PBT	28P PLUG HSG(B1)	-
	BLACK	PBT	28P PLUG HSG(B2)	-
	NATURAL	PBT	28P PLUG HSG(B1)	-
	BLACK	PBT	28P PLUG HSG(A2)	-
	NATURAL	PBT	28P PLUG HSG(A1)	-

TABLE. 1

POS.	CIRCUIT NO.	REC P/N	WIRE RANGE	INSULATION DIAMETER
12	5-11 20-24	2219299-1	0.22-0.35	0.95-1.5
16	1-4 12-19 25-28	2109006-1	0.22-0.35	1.0-1.5
		2109006-2	0.5-0.75	1.4-1.9
		2109006-3	0.85-1.25	1.8-2.4

- NOTE
- GENERAL TOL : $\pm 0.3, \pm 2.0^\circ$
 - CONDITION OF DELIVERY : DBL IN 1st LOCKING POSITION.
 - REFER TO TABLE.1 FOR INFORMATION OF REC.
 - THE MATING HEADER ASS'Y P/N: X-2188220-X
 - .020 TERMINAL REVERSE INSERTION FORCE : Min1.5kgf

THIS DRAWING IS A CONTROLLED DOCUMENT.

DIMENSIONS:	TOLERANCES UNLESS OTHERWISE SPECIFIED:
mm	
	0 PLC \pm
	1 PLC ± 0.1
	2 PLC ± 0.01
	3 PLC ± 0.001
	4 PLC ± 0.0001
	ANGLES \pm
MATERIAL	FINISH
-	-
-	-

DWN YJ KIM	TE Connectivity	NAME 020/060 28P PLUG ASS'Y
CHK DG JEONG		SIZE A3
APVD KT LIM		CAGE CODE -
PRODUCT SPEC -	DRAWING NO C-2188225	RESTRICTED TO -
APPLICATION SPEC -	WEIGHT -	SCALE 1:1
CUSTOMER DRAWING	SHEET 1	OF 1
		REV G

printed on 6 Sep 2023 15:50 (???) from FE152939

X-ON Electronics

Largest Supplier of Electrical and Electronic Components

Click to view similar products for [Headers & Wire Housings](#) category:

Click to view products by [TE Connectivity](#) manufacturer:

Other Similar products are found below :

[892-18-020-10-001101](#) [0010894062](#) [0010977306](#) [0015477636](#) [0015917161](#) [0022104068](#) [0022121042](#) [0022155065](#) [0022281023](#) [57102-F02-18ULF](#) [PCN6B-10P-2.5DS](#) [58102-G61-06LF](#) [582553-1](#) [0015911208](#) [01.001.5753.1](#) [0022285048](#) [0050291907](#) [02.125.8002.8](#)
[CSU011177004](#) [622-0430](#) [63453-116](#) [636-1030](#) [636-1427](#) [636-3427](#) [636-4007](#) [641938-9](#) [65495-038](#) [65692-001LF](#) [65781-018](#) [65781-047](#)
[65817-010LF](#) [67095-007LF](#) [67601157](#) [68631-112](#) [68645-018](#) [699319-000](#) [70.362.1628.0](#) [70-4210](#) [70-4226B](#) [70-4853B](#) [707-5028](#)
[71.350.2428.0](#) [733-134](#) [733-162](#) [760-3052](#) [80.063.4001.1](#) [800-90-001-10-001000](#) [801-43-002-10-013000](#) [801-43-006-10-002000](#)
[803-43-024-10-001000](#)