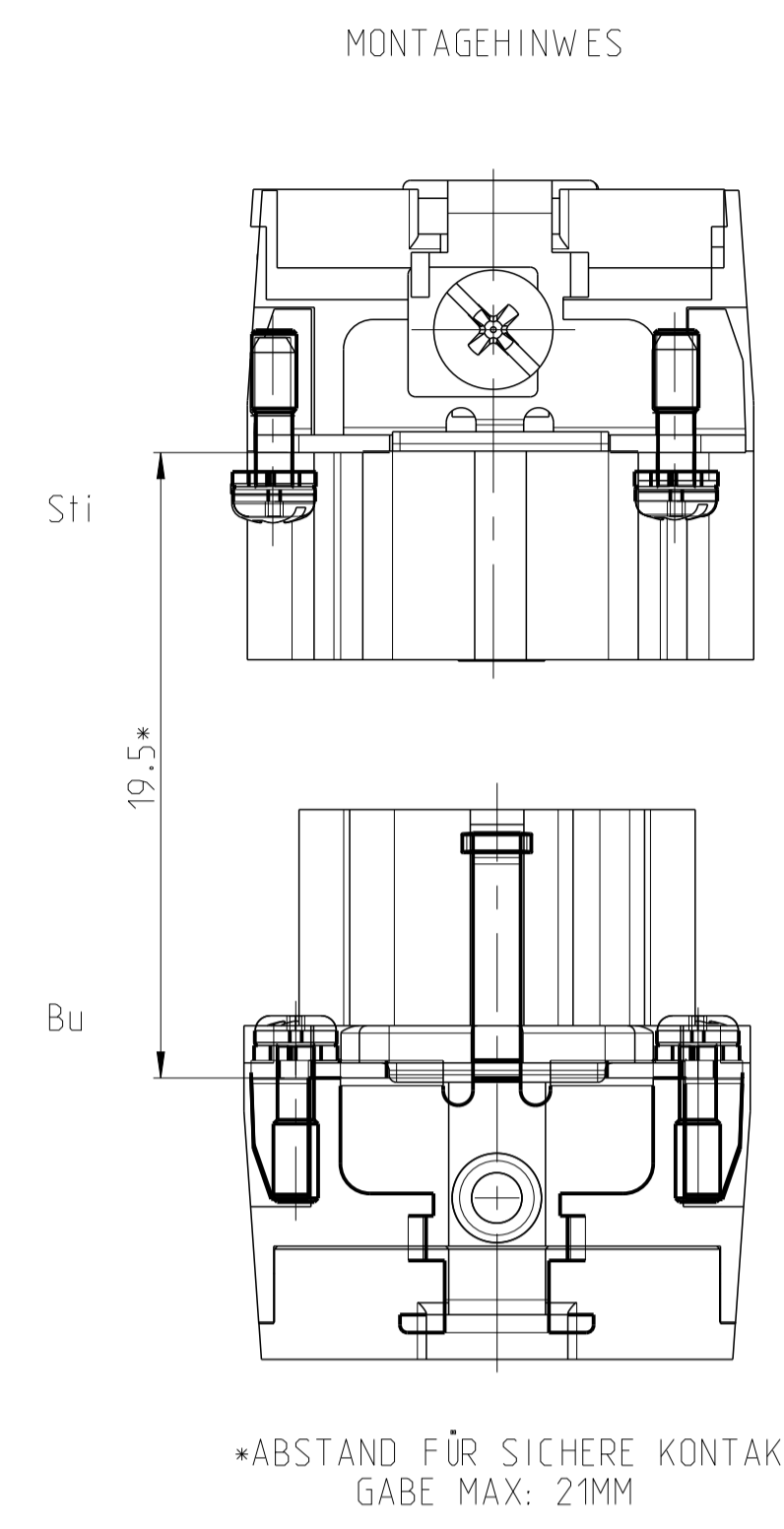
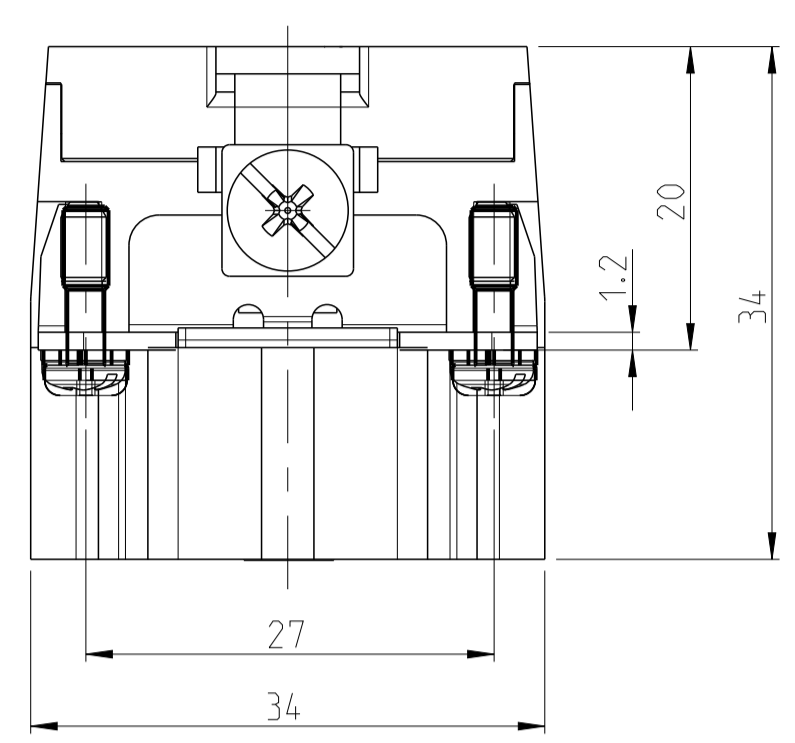
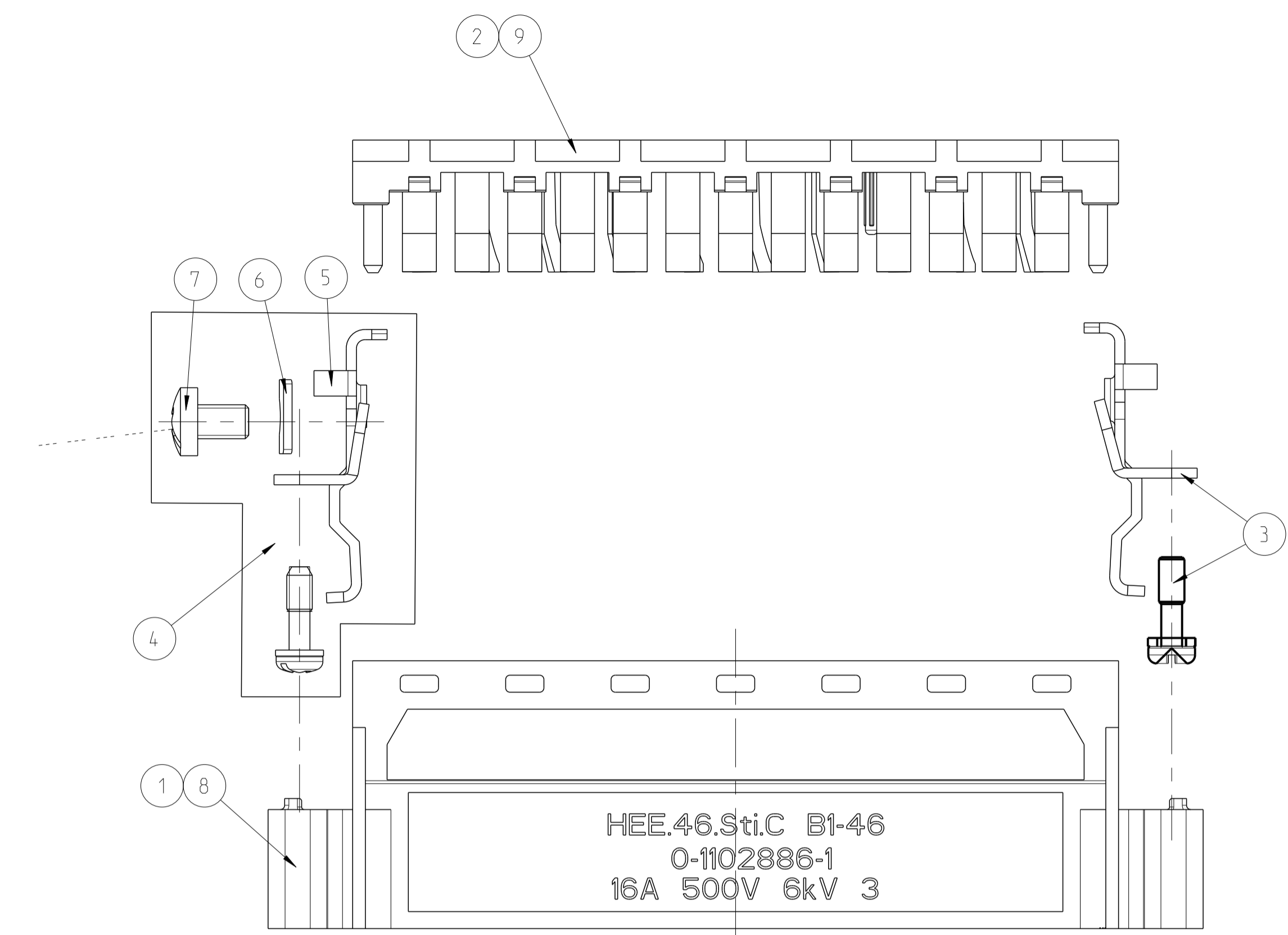
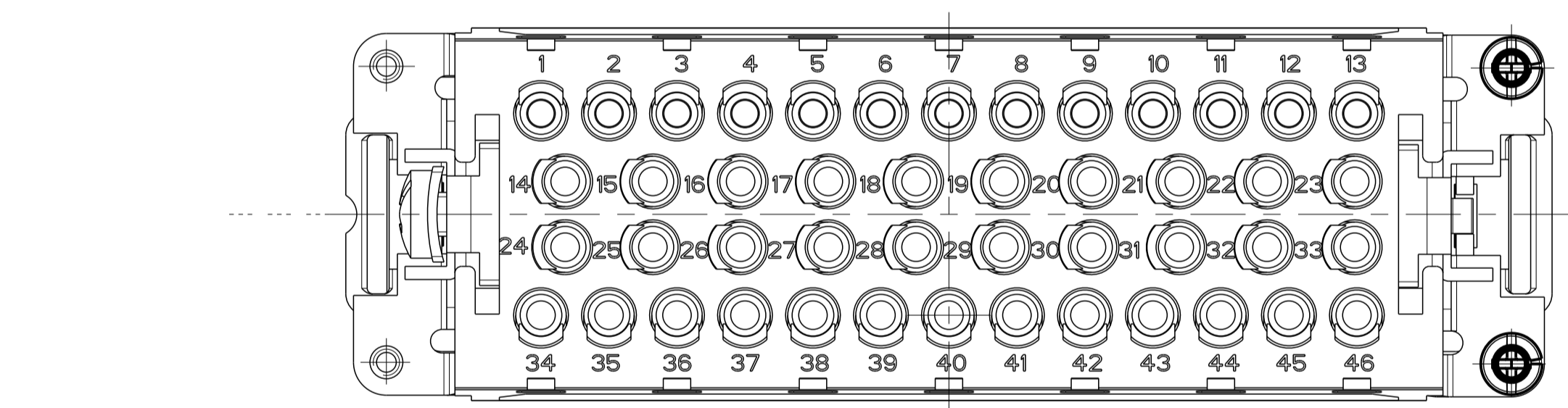


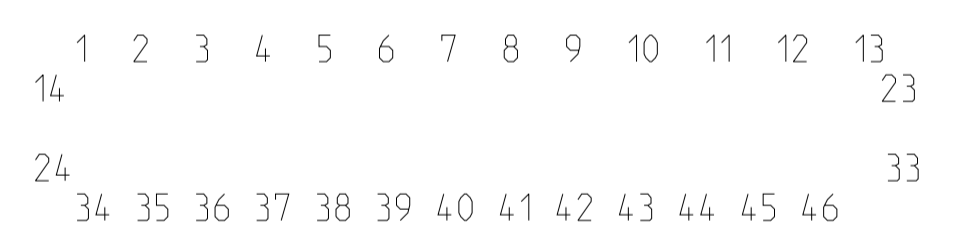
LOC		DIST		REVISIONS			
P	LTN	DESCRIPTION	DATE	DWN	APVD		
B4	ECR-11-008436		08SEP2010	SR	AR		
B5	ECR-16-009335		08DEC2016	GCM	MKO		



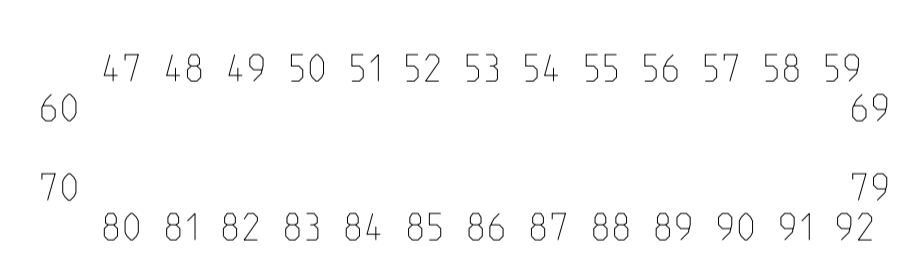
- NOTES
- 1 MATERIAL: LCP-GF
  - 2 PACKAGING QUANTITY 5 PIECES



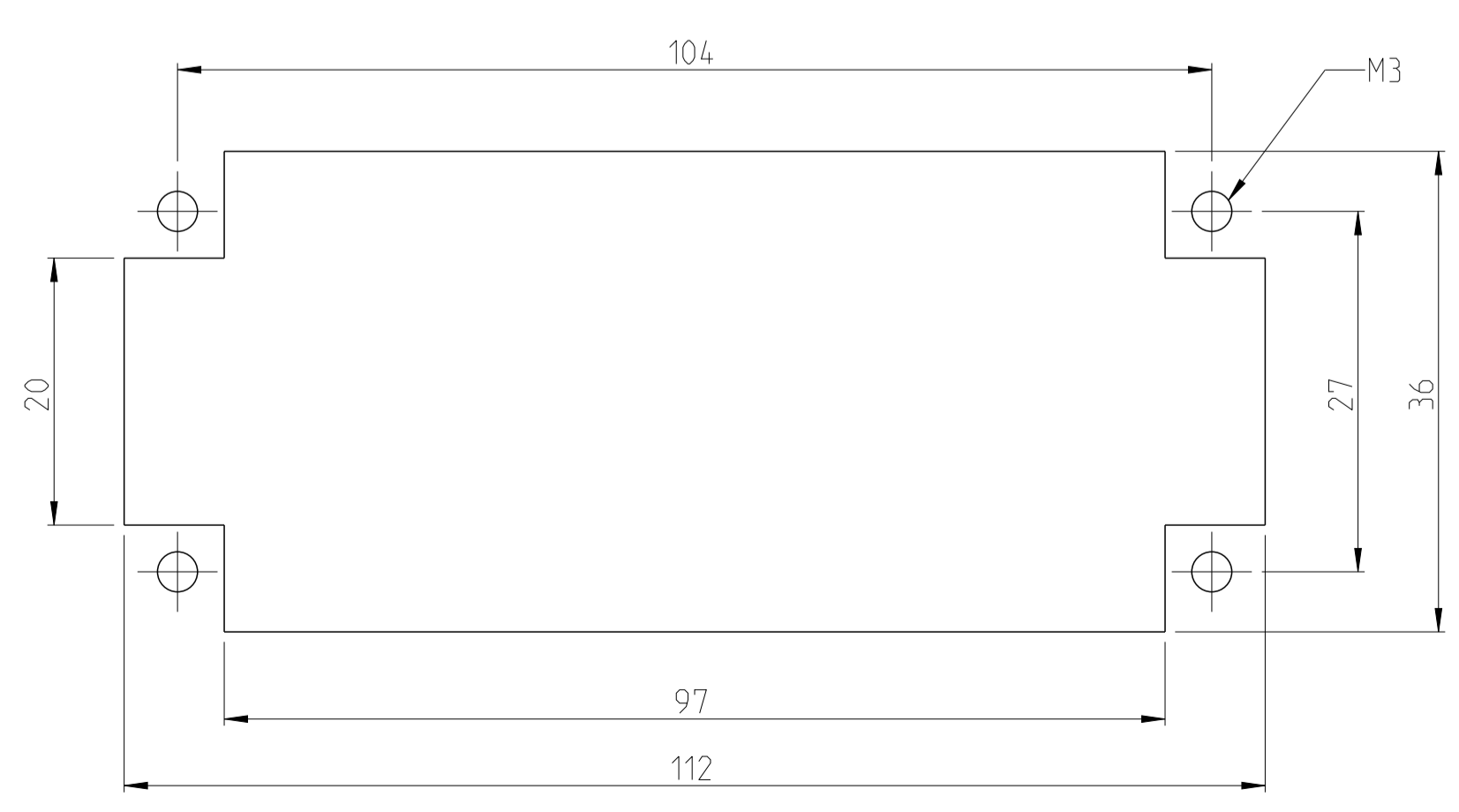
PN 0-1; 0-3; 0-4  
 CONTACT ARRANGEMENT  
 VIEW FROM CONNECTING SIDE



PN 0-2  
 CONTACT ARRANGEMENT  
 VIEW FROM CONNECTING SIDE



PANEL CUT-OUT FOR CONTACT INSERT  
 WHEN USED WITHOUT HOUSING



OBSOLETE		QTY	DESCRIPTION	MATERIAL	COLOR	ITEM	NOTES	
1			COVER HE.46-FS	LCP-GF30	NATURE	9		
1			MALE INSERT HE.46-FS	LCP-GF30	NATURE	8		
			GROUND SCREW	STEEL	BLUE	7		
			CLIP TAB	STEEL	BLUE	6		
			PROTECTION WIRE CONTACT PIN	STEEL	BLUE	5		
1		1	PROTECTION WIRE CONTACT PIN WITH MOUNTING	STEEL	BLUE	4	MOUNTED	
1		1	PROTECTION WIRE CONTACT PIN	STEEL	BLUE	3	MOUNTED	
			COVER HE.46	PC GF20	GREY	2		
			MALE INSERT	PC GF20	GREY	1		
0-4	0-3	0-2	0-1	DESCRIPTION	MATERIAL	COLOR	ITEM	NOTES
				HEE.46.Sti.C B1-46				
				HEE.46.Sti.C B47-92				
				HEE.46.Sti.C/OBS B1-46				
				HEE.46.Sti.C B1-46-FS				

THIS DRAWING IS A CONTROLLED DOCUMENT.

DIMENSIONS: mm

TOLERANCES UNLESS OTHERWISE SPECIFIED:

0	PLC	±
1	PLC	±
2	PLC	±
3	PLC	±
4	PLC	±
ANGLES		±
FINISH		±

MATERIAL: - FINISH: -

THIS DRAWING IS A CONTROLLED DOCUMENT. DWN: R.SCHNEIDER 02.05.02, CHW: M.SCHWEIGER 02.05.02, APVD: -

NAME: MALE INSERT ASSY HE.46

SIZE: A1, CAGE CODE: 00779, DRAWING NO: 1102886, SHEET: 1 OF 1, REV: B5

CUSTOMER DRAWING SCALE: 5:1

## X-ON Electronics

Largest Supplier of Electrical and Electronic Components

*Click to view similar products for [Heavy Duty Power Connectors](#) category:*

*Click to view products by [TE Connectivity](#) manufacturer:*

Other Similar products are found below :

[647757-1](#) [6643411-1](#) [6646058-2](#) [6646137-1](#) [6646138-1](#) [6646479-1](#) [6646608-1](#) [6646786-1](#) [6646940-1](#) [6651091-1](#) [6651525-1](#) [6651529-1](#)  
[6651788-1](#) [696475-1](#) [702-32-01109](#) [703-25-02205](#) [73000005059](#) [73000005642](#) [73080255059](#) [73080965046](#) [765-15-0080A](#) [765-16-0080B](#)  
[765-18-0080D](#) [829992-1](#) [902-77-02113](#) [PS00/A0620/6300](#) [PS25/A0420/63](#) [129-1J](#) [1409400](#) [AN0024023](#) [E6374G1](#) [e6389g2](#) [157-43GW8](#)  
[MS3117-14AC](#) [1643543-1](#) [1650540-1](#) [1651811-2](#) [1766260-1](#) [1766282-1](#) [1766966-1](#) [1791340000](#) [NLDFT-3-BL-L-S120-M40A](#) [NLDFT-N-](#)  
[W-L-C240-M40B](#) [NLS-2-R-C240-M40B](#) [NLS-N-W-C240-M40B](#) [NPS-3-BL-T6](#) [1986615-1](#) [2-1589900-8](#) [2199314-1](#) [KA8102](#)