

TW5390 Datasheet

TW5390 High-Precision Smart GNSS Antenna with IMU, L-Band PPP-RTK

Overview

The TW5390 is a multi-band (L1/L2), multi-constellation integrated GNSS receiver/antenna with Inertial Measurement Unit (IMU) (for Untethered Dead Reckoning) and integrated L-Band receiver for PointPerfect Flex PPP-RTK corrections. The TW5390 is capable of providing sub 1 meter accuracy stand alone, sub 6 cm accuracy with PPP-RTK corrections and sub 1 cm with RTK corrections. Combined with the IMU to achieve Sensor Fusion, TW5390 supports the most demanding positioning applications in the most challenging environments such as a dense urban canyon and off-grid positioning.

Interference Resilience

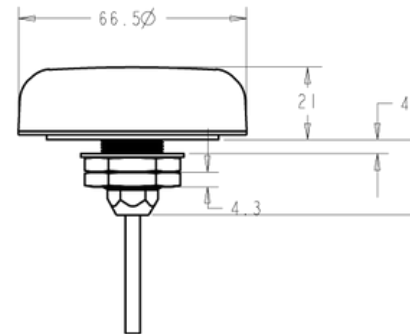
The TW5390 incorporates a latest generation multi-band (L1/L2) GNSS receiver and IMU with a Tallysman Accutenna® multi-band (L1/L2/L-Band) triple band dual feed patch. The state of the art GNSS receiver supports concurrent tracking of all four major constellations (GPS, BeiDou, Galileo and GLONASS) in multiple frequency bands. The multi-band (L1/L2) architecture is highly effective method for the removal of ionospheric error. The TW5390 employs multi-stage filtering with low noise figure LNAs, combined with the dual feed Accutenna®, which greatly improves the rejection of multi-path signal interference. The IMU Sensor Fusion further mitigates effects of severe multi-path reflections and provides continuous position availability during periods of GNSS signal obstruction offering exceptional performance to meet the most challenging precise positioning applications.

Precise Point Positioning

The TW5390 offers support for a broad range of corrections services (RTCM RTK, networked PPP-RTK or PointPerfect Flex PPP-RTK over L-Band) allowing performance optimization according to each application's unique requirements. The concurrent multi-band (L1/L2) access to all four satellite constellations improves the receiver's convergence capability to deliver a quick, precise and reliable position solution which is resilient to ionospheric errors and improves resilience against interference and jamming.

As an RTK rover, The TW5390 accepts RTCM RTK messaged from a base station, Virtual Reference Station or SPARTN SSR message type via the PointPerfect Flex subscription service.

The TW5390 provides sub 6 cm positioning accuracy in conjunction with PointPerfect Flex PPP-RTK corrections and sub 1 cm accuracy with RTK. TW5390 can receive PointPerfect Flex PPP-RTK corrections over L-Band when outside of terrestrial networking coverage.



Mechanical Dimensions (mm)

Features:

- Improved noise immunity with multi-band u-blox ZED F9R GNSS receiver
- Improved multi-path rejection with Dual feed Accutenna®
- Multi-band GNSS receiver is resilient to ionospheric errors
- High reliability timing with expansive constellation array
- IMU provides continuous availability during periods of signal loss
- Exceptional position performance standalone without correction services
- 5V operation RS-422 differential (or RS-232) signaling Industrial grade IP69K enclosure
- Rugged fixed mount
- Multiple cable lengths (5m, 15m and 25m)
- Available with conical radome

TW5390 Datasheet



TW5390 High-Precision Smart GNSS Antenna with IMU, L-Band PPP-RTK

Specifications

Antenna

Architecture Multi-band (L1/L2), Dual Feed
Axial Ratio LI: <1 dB typical.
Frequencies GPS L1C/A L2C, GLO L1OFL2OF,
GAL E1B/C E5b, BDS B1I B2I, QZSS L1C/A L2C

SBAS L1C/A WAAS, EGNOS, MSAS, GAGAN
Channels 184-channel u-blox F9 engine
Anti-jamming Active CW detection
Corrections Receiver L-Band PPP-RTK (SSR)

Interface

Pwr, Gnd
33-5390-09-yy-zz Data, Timepulse: RS-422 levels
33-5390-29-yy-zz Data: RS-232; Timepulse: RS-422

Serial Protocol

Output NMEA 0183, UBX Binary, RTCM v3.3, SPARTN v2.0
Baud Rate Configurable
Update Rate 9 Hz (4); 10 Hz (GPS+GAL+BDS); 20 Hz (GPS+GAL); 20 Hz (GPS+GLO); 16 Hz (GP+BDS); 25 Hz (GPS)

Mechanical

Dimensions 66.5 mm dia. x 21 mm H
Weight 135 g
Mounting Method Industrial grade fixed Mount
Cable Length 5, 15, 25m with RJ45 termination

Electrical

Voltages 5 VDC
Current 0.6 Watts (nominal operating)
Measured @ 5VDC supply

Environmental

Operating Temperature -40°C to +85°C
Storage Temperature -40°C to +85°C
Weatherproof IP69K
Shock Vertical axis 50G, other axis 30G
3 axis sweep - 15 min

Vibration 10-200 Hz log sweep 3G

Sensitivity

Tracking & Nav -160 dBm
Reacquisition -160 dBm
Hot starts -158 dBm
Cold starts -147 dBm

Acquisition

Cold start 25 sec
Aided start 3 sec
Reacquisition 2 sec

Horizontal Position Accuracy (4 Constellations)

Standard PVT 1.5m CEP
Standard SBAS 1.0m CEP
Corrected RTK 0.01m + 1ppm CEP
Augmented SPARTN (PPP-RTK) <0.06m CEP
SPARTN Convergence <45 sec*

Heading

Dynamic Heading Accuracy 0.3° (30 m/sec)

Timing

Timing Accuracy 30 ns RMS

Ordering Information:

33-5390-09-yy-zz-PCO (RJ45; Data and Timepulse: RS-422, PCO = NMEA out, no adaptor cable)
33-5390-29-yy-zz-PCO (RJ45; Data: RS-232, Timepulse RS-422, PCO = NMEA out, no adaptor cable)

yy = Radome (00=grey conical, 10=grey low profile, 01=white conical, 11=white low profile)
zz = Cable length in meters. Standard is 5m. (15m and 25m are special order only)

33-5390-09-yy-zz-PCO SDK Test Adaptor required for programming 33-0095-11
33-5390-29-yy-zz-PCO SDK Test Adaptor required for programming 33-0095-16

About Calian

We keep the world moving forward. Calian® helps people communicate, innovate, learn and lead safe and healthy lives. Every day, our employees live our values of customer commitment, integrity, innovation and teamwork to engineer reliable solutions that solve complex problems. That's Confidence. Engineered. A stable and growing 40-year company, we are headquartered in Ottawa with offices and projects spanning North American, European and international markets. Visit calian.com to learn about innovative healthcare, communications, learning and cybersecurity solutions.

X-ON Electronics

Largest Supplier of Electrical and Electronic Components

Click to view similar products for [Antennas](#) category:

Click to view products by [Tallysman](#) manufacturer:

Other Similar products are found below :

[930-033-R](#) [108-00014-50](#) [66089-2406](#) [A09-F8NF-M](#) [A09-F5NF-M](#) [RGFRA1903041A1T](#) [W1049B090](#) [WTL2449CQ1-FRSMM](#) [CPL9C](#)
[0600-00060](#) [PAL90209H-FNF](#) [GD53-25](#) [S9025PLSMF](#) [GPSCPMM00](#) [ANTDOM-05-01-WPM](#) [ANT-WP868SMA-Y](#) [CBNC58](#) [ABFT](#)
[LP800NMOW](#) [NMOQ88C](#) [NMOQB](#) [NMOQC](#) [ANT-GSMGPSPUKS](#) [60210](#) [60140](#) [ANT-8WPIG-UFL](#) [ANT-GPSPUKS](#) [A21H0](#) [29000863](#)
[29000848](#) [955179003](#) [RFANT2012090A0T](#) [RGFRA3216110A5T](#) [22100003](#) [DL-T022-2.4G](#) [DL-T023-4G](#) [T1-915M](#) [DL-T021-2.4GW](#) [DL-](#)
[T021-2.4G](#) [KH-IPEX-1.13](#) [BWGNXCX16-6B1Y2L120](#) [BWGNXCX15-15B1Y4L120](#) [DL-T023-4GW](#) [DL-J020-433M](#) [J008-GSM](#)
[3N0401LG-021](#) [KHA\(RG1.13\)-TX90B-IPEX](#) [KH-GPS181804-WY](#) [KHA\(RG1.13\)-TX80B-IPEX](#) [TX5800-JZ-5](#)