



A Tallysman Accutenna® TW2920 Wideband GPS/GLONASS/BeiDou/Galileo + L-Band Antenna

The TW2920 is an Accutenna technology antenna that covers GPS L1, GLONASS G1, BeiDou B1, Galileo E1, SBAS (WAAS, EGNOS, GAGAN, & MSAS) and the down-link L-Band (1525 – 1559MHz). The TW2920 provides superior multi-path signal rejection, a linear phase response, and tight Phase Centre Variation (PCV). This antenna is ideal for precision agriculture, autonomous vehicle tracking and guidance, and other applications where precision matters.

The TW2920 features a dual-feed wideband patch element, plus a low-loss pre-filter followed by a three stage Low Noise Amplifier (LNA) including an additional mid-section SAW. This configuration provides excellent axial ratio across the full frequency band and strong protection against high level sub-harmonic signals like LTE and near frequency signals such as WiFi.

The TW2920 has a compact, robust, magnetic mount housing with a metal base and a UV resistant, tough wide temperature range plastic radome, and is available with a variety of connectors. The housing includes a screw down option, and is available with an adhesive attachment, without a magnet,

The TW2920 is also available with an “armoured” cable option, with the cable encased in tough corrugated conduit having a temperature range of -40 to +120C, excellent chemical resistance, stable bending, high cold impact strength, and UL94HB flammability standard compliant.

Applications

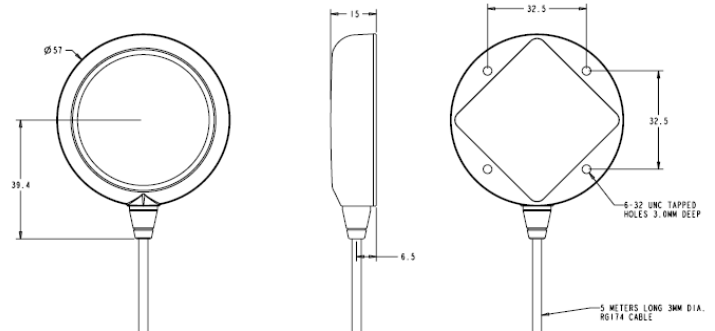
- High Accuracy & Mission Critical GNSS
- Precision Agriculture, Mining & Construction
- Military & Security

Features

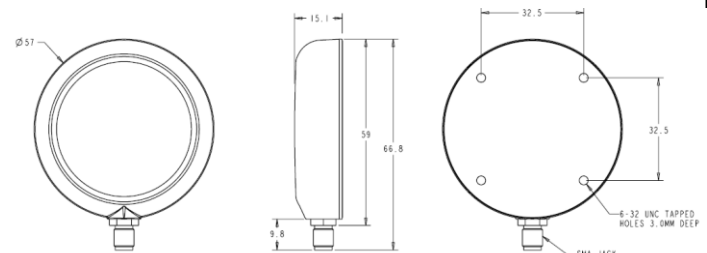
- Low loss Great axial ratio: ≤ 1 typ., 2 dB max
- Low noise LNA: ≤ 2.5 dB (including pre-filter)
- High rejection SAW filter
- Wide voltage input range: 2.5 to 16 VDC
- IP67 weather proof housing
- Economical price



Dimensions (mm)



Dimensions (mm)



Benefits

- Excellent multipath rejection
- Increased system accuracy
- Excellent signal to noise ratio
- Great out of band signal rejection
- Ideal for harsh environments
- RoHS and REACH compliant



TW2920 Pre-filtered GPS/GLONASS/BeiDou/Galileo + L-Band Antenna Specifications $V_{cc} = 3V$, over full bandwidth, $T=25^{\circ}C$

Antenna

Architecture	Dual Feed Patch, Quadrature Feeds
1 dB Bandwidth	85 MHz
Antenna Zenith Gain (with 100mm ground plane)	4.25 dBic
Axial Ratio	≤ 1 dB typ, 2 dB max.

Electrical

Architecture	Pre-filter ->LNA ->SAW filter-> 2 stage LNA
Filtered LNA Frequency Bandwidth	1510 to 1610 MHz
Polarization	RHCP
LNA Gain	32 dB min., 1510 to 1610 MHz
Gain flatness	+/- 2 dB, 1510 to 1610 MHz
Out-of-Band Rejection	<1465 MHz >1700 MHz
	>30 dB >55 dB
VSWR (at LNA output)	<1.5:1 typ. 1.8:1 max.
Noise Figure	≤ 2.5 dB typ.
Supply Voltage Range (over coaxial cable)	+2.5 to 16 VDC nominal (12VDC recommended maximum)
Supply Current	18 mA typ, 25mA Q max (85°C).
ESD Circuit Protection	15 KV air discharge

Mechanicals & Environmental

Mechanical Size	57 mm dia. x 15 mm H
Cable	RG174
Operating Temp. Range	-40 to +85 °C
Enclosure	Radome: EXL9330, Base: Zamak white metal
Weight	100 g (+13g /m of cable)
Attachment Method	Magnet or permanent (pre-tapped 4 x 6-32 UNC)
Environmental	IP67, REACH, RED, and RoHS compliant
Shock	Vertical axis: 50 G, other axes: 30 G
Vibration	3 axis, sweep = 15 min, 10 to 200 Hz sweep: 3 G

Ordering Information

TW2920 – Pre-filtered Single Band GNSS antenna: 33-2920-xx-yyy

Where xx = connector type and yyyy = cable length in mm

Please refer to the Ordering Guide (<http://www.tallysman.com/wp-content/uploads/Current-Ordering-Guide.pdf>) for the current and complete list of available connectors.



36 Steacie Drive, Ottawa ON K2K 2A9 Canada

Tel 613 591 3131

Fax 613 591 3121

sales@tallysman.com

The information provided herein is intended as a guide only and is subject to change without notice. This document is not to be regarded as a guarantee of performance. Tallysman Wireless Inc. hereby disclaims any or all warranties and liabilities of any kind. © 2015 Tallysman Wireless Inc. All rights reserved.

Rev 1.3

X-ON Electronics

Largest Supplier of Electrical and Electronic Components

Click to view similar products for [Antennas](#) category:

Click to view products by [Tallysman](#) manufacturer:

Other Similar products are found below :

[930-033-R](#) [108-00014-50](#) [66089-2406](#) [A09-F8NF-M](#) [A09-F5NF-M](#) [RGFRA1903041A1T](#) [W1049B090](#) [WTL2449CQ1-FRSMM](#) [CPL9C](#)
[0600-00060](#) [PAL90209H-FNF](#) [GD53-25](#) [S9025PLSMF](#) [GPSCPMM00](#) [ANTDOM-05-01-WPM](#) [ANT-WP868SMA-Y](#) [CBNC58](#) [ABFT](#)
[LP800NMOW](#) [NMOQ88C](#) [NMOQB](#) [NMOQC](#) [ANT-GSMGPSPUKS](#) [60210](#) [60140](#) [ANT-8WPIG-UFL](#) [ANT-GPSPUKS](#) [A21H0](#) [29000863](#)
[29000848](#) [955179003](#) [RFANT2012090A0T](#) [RGFRA3216110A5T](#) [22100003](#) [DL-T022-2.4G](#) [DL-T023-4G](#) [T1-915M](#) [DL-T021-2.4GW](#) [DL-](#)
[T021-2.4G](#) [KH-IPEX-1.13](#) [BWGNSCNX16-6B1Y2L120](#) [BWGNSCNX15-15B1Y4L120](#) [DL-T023-4GW](#) [DL-J020-433M](#) [J008-GSM](#)
[3N0401LG-021](#) [KHA\(RG1.13\)-TX90B-IPEX](#) [KH-GPS181804-WY](#) [KHA\(RG1.13\)-TX80B-IPEX](#) [TX5800-JZ-5](#)