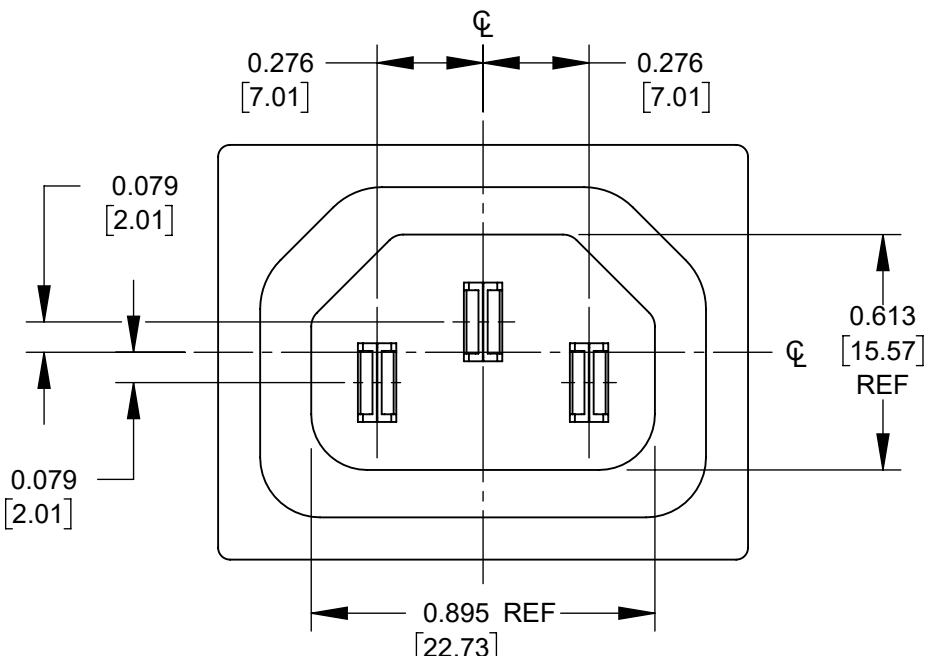
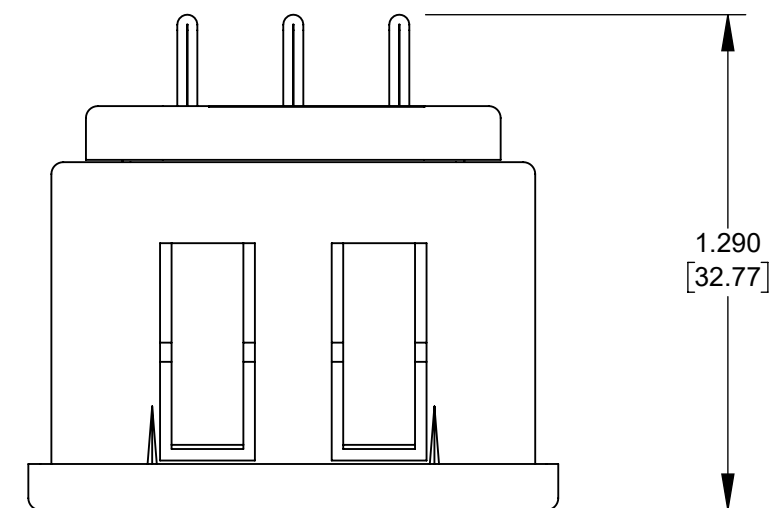
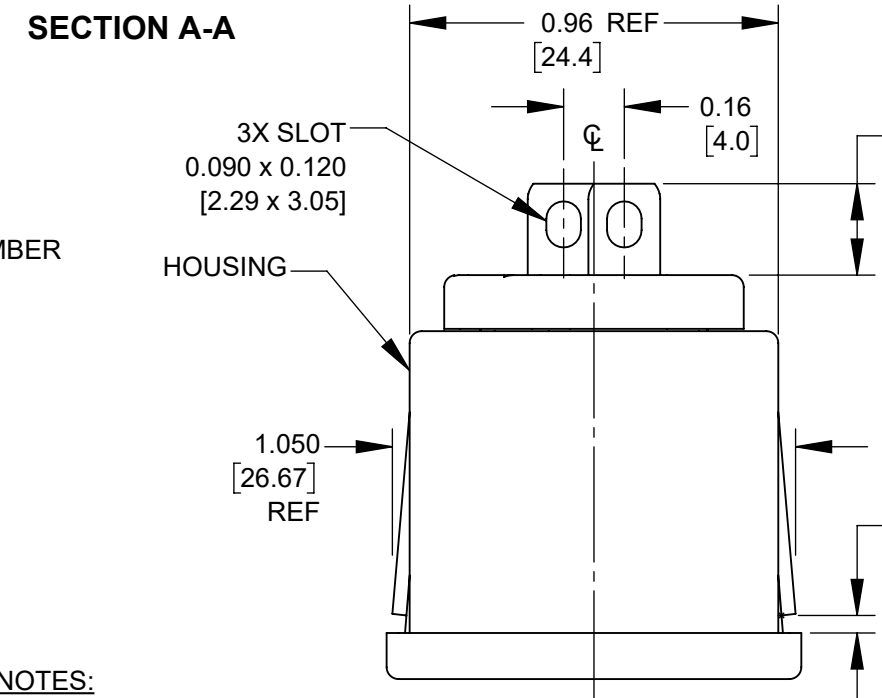
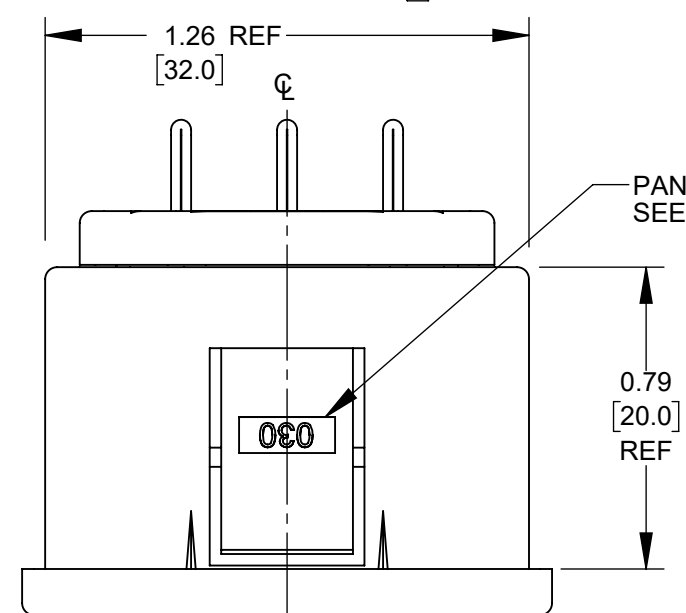
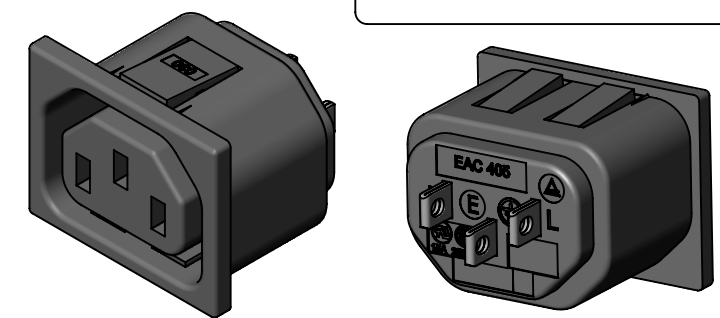


PART NUMBER	PANEL ID NUMBER	PANEL THICKNESS
EAC405030	030	0.026 - 0.040 [0.66 - 1.02]
EAC405040	040	0.036 - 0.050 [0.91 - 1.27]
EAC405050	050	0.046 - 0.060 [1.17 - 1.52]
EAC405060	060	0.056 - 0.070 [1.42 - 1.78]



NOTES:

1. MEETS IEC 60320 SPECIFICATION
2. AGENCY APPROVAL & RATING:
UL & CSA:15A, 250V~ AC.
3. MATERIALS:
HOUSING, BLACK POLYESTER
COVER, BLACK POLYESTER
CONTACTS, TIN PLATED COPPER ALLOY



CUSTOMER DRAWING

REV	ECO NUMBER	DATE	BY	APVD
J	28549	01/16/23	PC	TJK
H	28175	6/4/19	TJK	TJK
G	26912	02/16/12	BL	TJK
F	25129	03/27/02	BL	TJK
REVISIONS				

UNLESS OTHERWISE SPECIFIED
1. ALL DIMENSIONS IN INCHES [mm]
- TWO PLACE DECIMALS ±0.02 [0.5]
- THREE PLACE DECIMALS ±0.005 [0.13]

DO NOT SCALE DRAWING

THIS DRAWING DESCRIBES A DESIGN CONSIDERED PROPRIETARY IN NATURE, DEVELOPED AND MANUFACTURED BY SWITCHCRAFT INC. AND IS RELEASED ON A CONFIDENTIAL BASIS FOR IDENTIFICATION PURPOSES ONLY.				
SIZE	WIDTH	MULT	LBS/M	TEMPER
FINISH SPEC No.		MATERIAL SPEC No.		
FIRST USED ON		SCALE 2:1		
DATE DRAWN	BY	CHKD	APVD	
11/03/86	LH	AM	RP	
		11/17/86	05/06/87	
NAME			PART No.	REV
SNAP-IN FEMALE RECEPTACLE			EAC405 SERIES	J

X-ON Electronics

Largest Supplier of Electrical and Electronic Components

Click to view similar products for [AC Power Entry Modules](#) category:

Click to view products by [Switchcraft](#) manufacturer:

Other Similar products are found below :

[6609100-2](#) [7-6609955-2](#) [FN361-6-06](#) [FN9233S1-10-06](#) [FN9233S1-8-06](#) [FN9233S1B-8-06](#) [FN9233S1R-1-06](#) [FN9233S1R-12-06](#)
[FN9233SB-1-06](#) [FN9233SB-12-06](#) [FN9233SB-8-06](#) [FN9233SR-10-06](#) [FN9233SR-3-06](#) [FN9244B-15-06HI](#) [FN9244EB-3-06](#) [FN9244EB-8-06](#)
[FN9244ER-15-06](#) [FN9244ER-8-06](#) [FN9244ES1-8-06](#) [FN9244ESB-8-06](#) [FN9244R-3-07](#) [FN9244R-8-06](#) [FN9244S-10-06](#) [FN9244S1-12-06](#)
[FN9244S1R-3-06](#) [FN9244SB-8-06](#) [FN9244SR-10-06](#) [FN9244U-3-06](#) [FN9244U-8-06](#) [PE00SSSXB](#) [Fuse-H-EUR-1](#) [PM00XD000](#) [1-6609941-2](#)
[200JM6-2](#) [CA121003-6](#) [FN323-1-05](#) [FN372-2-](#) [FN385-6-](#) [FN9233ES1R-10-06](#) [FN9233R-12-06](#) [FN9233S-10-06](#) [FN9233S1B-10-06](#)
[FN9233S1B-12-06](#) [FN9233S1B-6-06](#) [FN9233U-6-06](#) [FN9244-6-07](#) [FN9244B-12-06HI](#) [FN9244EB-10-06](#) [FN9244EB-1-06](#)
[FN9244ER-15-06HI](#)